

YANMAR DIESEL TRACTOR

YANMAR

PARTS CATALOG



MODEL

Ke-200H

Published 1st. Edition

Jan.2008

NPC-3676

Specifications

Model		Ke-200H		
Drive system		4-wheel drive		
Dimensions	Overall length *1	mm	2326	
	Overall width *2	mm	1196	
	Overall height *3	mm	1265	
	Wheelbase	mm	1473	
	Tread	Front	mm	878
		Rear	mm	880
Ground clearance	mm	231		
Weight	kg	750		
Engine	Make	Yanmar		
	Model	3TNE74		
	Type	Vertical 4-cycle water-cooled diesel		
	Output(SAE Gross)	hp/rpm	20 / 2550	
	No. of cylinders	3		
	Displacement	cc	1006	
	Type of air cleaner	Dry(dual)		
	Fuel tank capacity	l	22	
Battery capacity	V-AH	12V-36H		
Steering	Type	Hydrostatic power		
Clutch	Type	None		
Brake	Type	Wet disc		
Transmission	Type	Hydrostatic transmission (2 ranges)		
	Max. traveling speed	km/hr	21.2	
	Travel speed	Forward	km/hr	0-19.6
		Reverse	km/hr	0-6.8
Tire	Turf standard	Front, Rear	23 × 8.50-12, 315 / 75D-15	
	AG standard	Front, Rear	5.00-12, 9.5-16	
P.T.O.	Rear P.T.O. type	SAE 1-3 / 8, independent		
	Speed	Front	rpm	None
		Mid	rpm	2100
		Rear	rpm	540
Hydraulic hitch system	Type	Hydraulic position control		
	Hitch	3 point hitch, SAE 1		
	Lift capacity	kg	520	
	Drawbar	Yes		
Optional attachments		Front bumper weights, rear-wheel weights, cabin, front 3 point hitch, Dual-speed turn(Fe series), tools and jack		

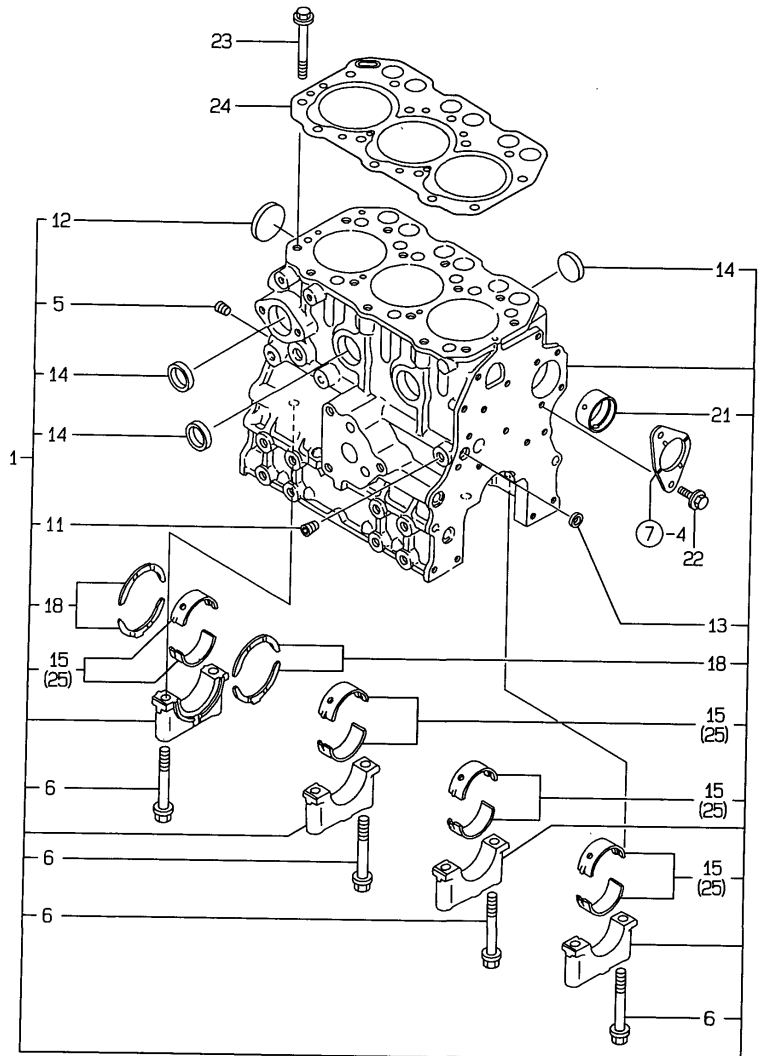
*1:w/o 3P, *2:min. tread, *3:stop of steering wheel

Note:This is a preliminary brochure and subject to change without notice.

1. CYLINDER BLOCK

NPC-3932 1. CYLINDER BLOCK

(A)=3TNE74-UTR (D)=
 (B)= (E)=
 (C)= (F)=

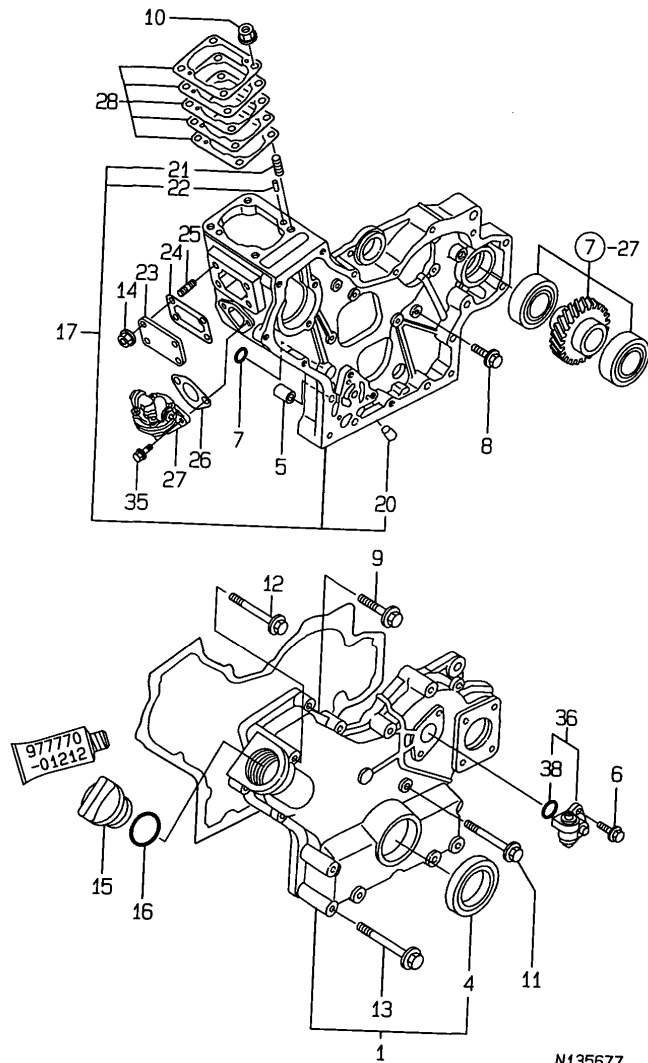


N135676

REF.	LEV.	PARTS NO.	DESCRIPTION	QTY						I	R
				(A)	(B)	(C)	(D)	(E)	(F)		
1	1	719623-01560	BLOCK ASSY, CYLINDER	1							
5	2	119600-01050	PLUG PT1/4	1							
6	2	119620-02020	BOLT	8							
11	2	23871-010000	PLUG PT1/8,SCREW	1							
11-1	2	23876-010000	PLUG PT1/8,SCREW	1							N
(A=EXXX)											
12	2	27231-450000	PLUG 45	1							
12-1	2	119623-01250	PLUG 45	1							N
(A=EXXX)											
13	2	27241-120000	PLUG 12	1							
14	2	27241-300000	PLUG 30	6							
15	2	719620-02800	MAIN BEARING	4							
18	2	719620-02930	BEARING, THRUST	2							
21	2	119624-02410	BUSH	1							
22	1	26106-060122	BOLT M 6X 12 PLATED	2							
23	1	119620-01200	BOLT, CYLINDER HEAD	14							
24	1	119623-01330	GASKET, CYL. HEAD	1							
24-1	1	119623-01340	GASKET, CYL. HEAD	1							R
(A=E63121)											
25	1	719620-02870	MAIN BEARING US=0.25	4							1

Remarks
 (1) UNDER-SIZE(U.S=0.25)PART.
 (REMARKS)"EFFECTIVE MACHINE NO." OF
 ENGINE IS INDICATED ON THE
 ENGINE LABEL WHICH IS SHOWN
 IN FIG.4.

2. GEAR HOUSING



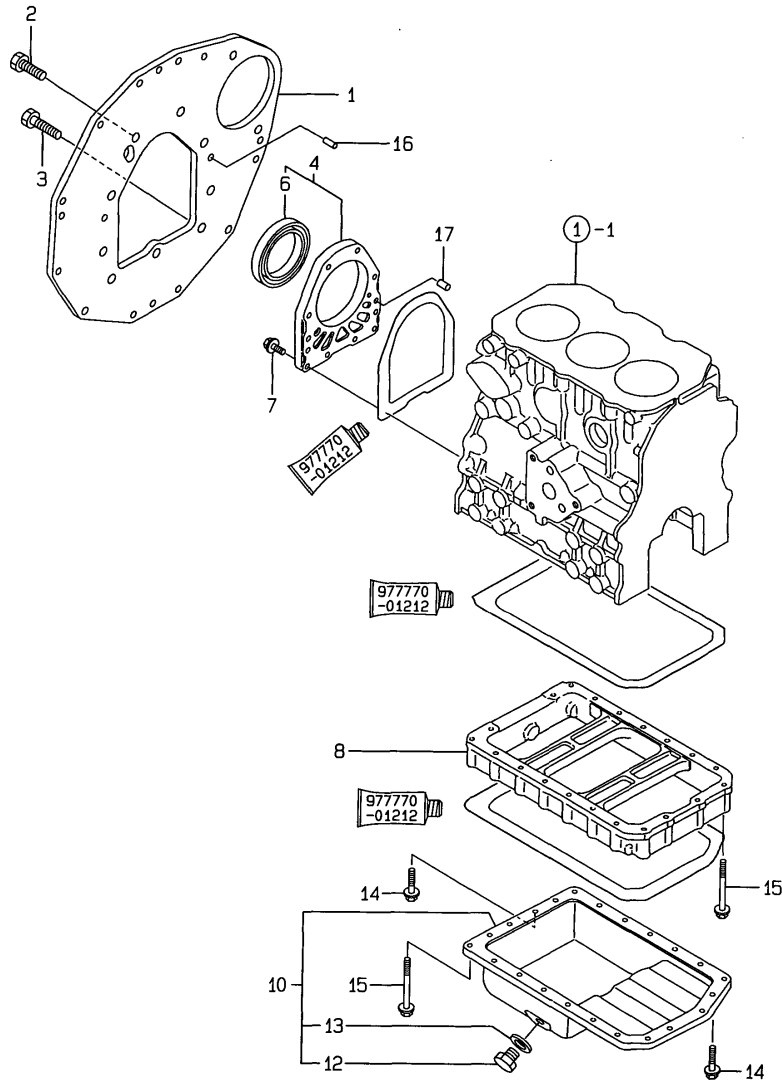
NPC-3932 2. GEAR HOUSING

(A)=3TNE74-UTR (D)=
 (B)= (E)=
 (C)= (F)=

REF.	LEV.	PARTS NO.	DESCRIPTION	QTY						I	R
				(A)	(B)	(C)	(D)	(E)	(F)		
1	1	119660-01590	COVER ASSY, HOUSING	1							
4	2	119620-01800	SEAL HTC456208, OIL	1							
5	1	119660-01911	PIPE, KNOCK	4							
6	1	26106-060162	BOLT M 6X 16 PLATED	2							
7	1	119624-32040	O-RING P 12.0	2							
8	1	26106-060162	BOLT M 6X 16 PLATED	7							
9	1	26106-060302	BOLT M 6X 30 PLATED	6							
10	1	194990-22050	NUT W/WASHER 8	4							
11	1	26106-060602	BOLT M 6X 60 PLATED	3							
12	1	26106-060602	BOLT M 6X 60 PLATED	1							
13	1	26106-060802	BOLT M 6X 80 PLATED	6							
14	1	26366-060002	NUT M 6	4							
15	1	124160-01751	COVER, FILLER	1							
16	1	24311-000320	O-RING 1A P-32.0	1							
17	1	119660-01492	HOUSING ASSY, GEAR	1							
20	2	119660-01510	PLUG 10X14	1							
21	2	121450-01560	STUD M 8X 22	4							
22	2	22351-040010	SPRING PIN 4X10	2							
23	1	119660-01551	COVER	1							
24	1	119660-01562	GASKET, (NON-ASB.)	1							
25	1	119660-01570	STUD M6X12	4							
26	1	121520-01851	GASKET, (NON-ASB.)	1							
27	1	119660-52020	PUMP, FEED	1							
28	1	119623-01950	SHIM PACK	1							
35	1	26014-060202	BOLT M 6X 20	2							
36	1	129150-91400	GEAR UNIT, TACHOMETER	1							
38	2	24341-000240	O-RING 1A S-24.0	1							

Remarks
 (REMARKS)"EFFECTIVE MACHINE NO." OF
 ENGINE IS INDICATED ON THE
 ENGINE LABEL WHICH IS SHOWN
 IN FIG.4.

3. MOUNTING FLANGE & OIL SUMP



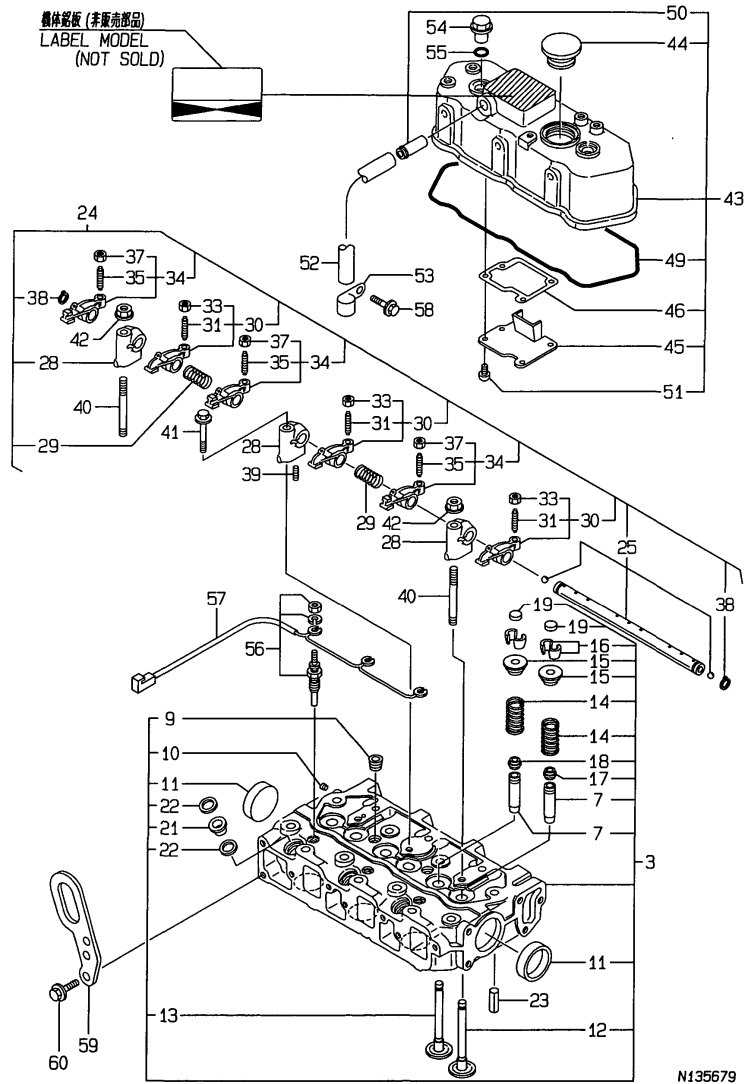
NPC-3932 3. MOUNTING FLANGE & OIL SUMP

(A)=3TNE74-UTR (D)=
 (B)= (E)=
 (C)= (F)=

REF.	LEV.	PARTS NO.	DESCRIPTION	QTY						I	R
				(A)	(B)	(C)	(D)	(E)	(F)		
1	1	119626-01600	FLANGE, MOUNTING	1							
2	1	26076-100222	BOLT 10* 22	6							
3	1	26076-100252	BOLT 10.9 10X25	3							
4	1	119660-01640	CASE ASSY, OIL SEAL	1							
6	2	124085-02220	SEAL, OIL	1							
7	1	26106-060222	BOLT M 6X 22 PLATED	10							
8	1	119600-01722	SPACER, OIL SUMP	1							
10	1	119650-01770	PAN, LUB OIL	1							
12	2	23887-120002	PLUG 12,HEX.	1							
12-1	2	129054-01640	DRAIN PLUG	1							R
		(A=E65161)									
13	2	22190-120002	SEAL WASHER 12	1							
14	1	26106-060122	BOLT M 6X 12 PLATED	3							
15	1	26106-060452	BOLT M 6X 45 PLATED	20							
16	1	129100-01580	PARALLEL PIN 8X16	2							
17	1	119620-01620	PARALLEL PIN 6X10	2							

Remarks
 (REMARKS)"EFFECTIVE MACHINE NO." OF
 ENGINE IS INDICATED ON THE
 ENGINE LABEL WHICH IS SHOWN
 IN FIG.4.

4. CYLINDER HEAD & BONNET

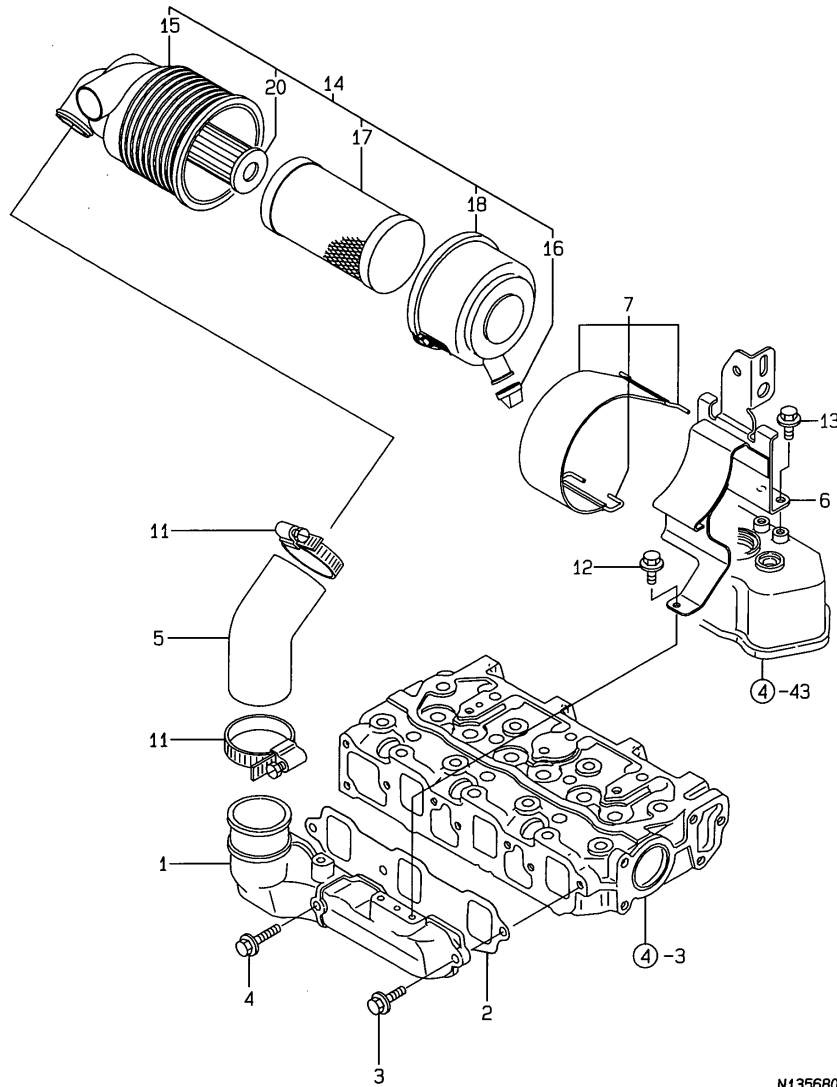


Remarks
 (1) REPAIR PART.
 (REMARKS)"EFFECTIVE MACHINE NO." OF
 ENGINE IS INDICATED ON THE
 ENGINE LABEL WHICH IS SHOWN
 IN FIG.4.

(A)=3TNE74-UTR (D)=
 (B)= (E)=
 (C)= (F)=

REF.	LEV.	PARTS NO.	DESCRIPTION	QTY						I	R
				(A)	(B)	(C)	(D)	(E)	(F)		
3	1	119626-11000	HEAD ASSY, CYLINDER	1							
7	2	119620-11801	GUIDE, VALVE	6							1
9	2	23871-020000	PLUG PT1/4,SCREW	2							
9-1	2	23876-020000	PLUG 1/4	2							N
		(A=E63121)									
10	2	27221-050080	PLUG 5X 8	1							
11	2	27241-400000	PLUG 40	2							
12	2	119623-11100	VALVE, INTAKE	3							
13	2	119620-11110	VALVE, EXHAUST	3							
14	2	119620-11120	SPRING, VALVE	6							
15	2	119620-11180	RETAINER, SPRING	6							
16	2	27310-070000	COTTER 7	6							
17	2	124160-11340	SEAL, VALVE STEM	3							
18	2	124950-11340	SEAL, VALVE STEM	3							
19	2	104211-11370	CAP, VALVE	6							
21	2	119600-11450	PROTECTOR, NOZZLE	3							
22	2	119600-11460	GASKET, NOZZLE	6							
23	1	22351-060012	SPRING PIN 6X12	2							
24	1	119620-11200	SUPPORT ASSY, ARM	1							
25	2	119620-11240	SHAFT ASSY, ROCKER	1							
28	2	119620-11260	SUPPORT, ROCKER ARM	3							
29	2	119620-11280	SPRING	2							
30	2	719620-11650	ARM ASSY, ROCKER	3							
31	3	105010-11230	SCREW, VALVE	3							
33	3	26856-060002	LOCK NUT 6	3							
34	2	719620-11660	ARM ASSY, ROCKER	3							
35	3	105010-11230	SCREW, VALVE	3							
37	3	26856-060002	LOCK NUT 6	3							
38	2	22242-000120	CIRCLIP 12	2							
39	2	26979-050162	SCREW M 5X16	1							
40	1	119620-11350	STUD	2							
41	1	26106-080452	BOLT M 8X 45 PLATED	1							
42	1	26366-080002	NUT M 8	2							
42-1	1	26306-080002	NUT	2							N
		(A=E63121)									
43	1	119657-11350	BONNET ASSY	1							
43-1	1	119657-11351	BONNET ASSY	1							N
		(A=E63121)									
44	2	119807-11770	CAP, LUB.OIL SUPPLY	1							
45	2	119620-03020	PLATE, SHELTER	1							
46	2	119620-03031	GASKET, (NON-ASB.)	1							
49	2	119620-11310	GASKET, BONNET	1							
50	2	118400-03060	JOINT, BREATHER	1							
51	2	22857-500100	SCREW 5X10,TAPPING	4							
52	1	23065-120500	PIPE, VINYL 12X 500	1							
53	1	124160-01650	CLAMP	1							
54	1	124160-11360	KNOB	2							
55	1	24311-000120	O-RING 1A P 12.0	2							
56	1	129155-77801	PLUG, GLOW	3							
57	1	119645-77820	CONNECTOR, GLOW PLUG	1							
58	1	26106-080122	BOLT M 8X 12 PLATED	1							
59	1	119260-07900	LIFTER, ENGINE	1							
60	1	26106-080142	BOLT M 8X 14 PLATED	2							

5. SUCTION MANIFOLD & AIR CREAMER



N135680

NPC-3932 5. SUCTION MANIFOLD & AIR CREAMER

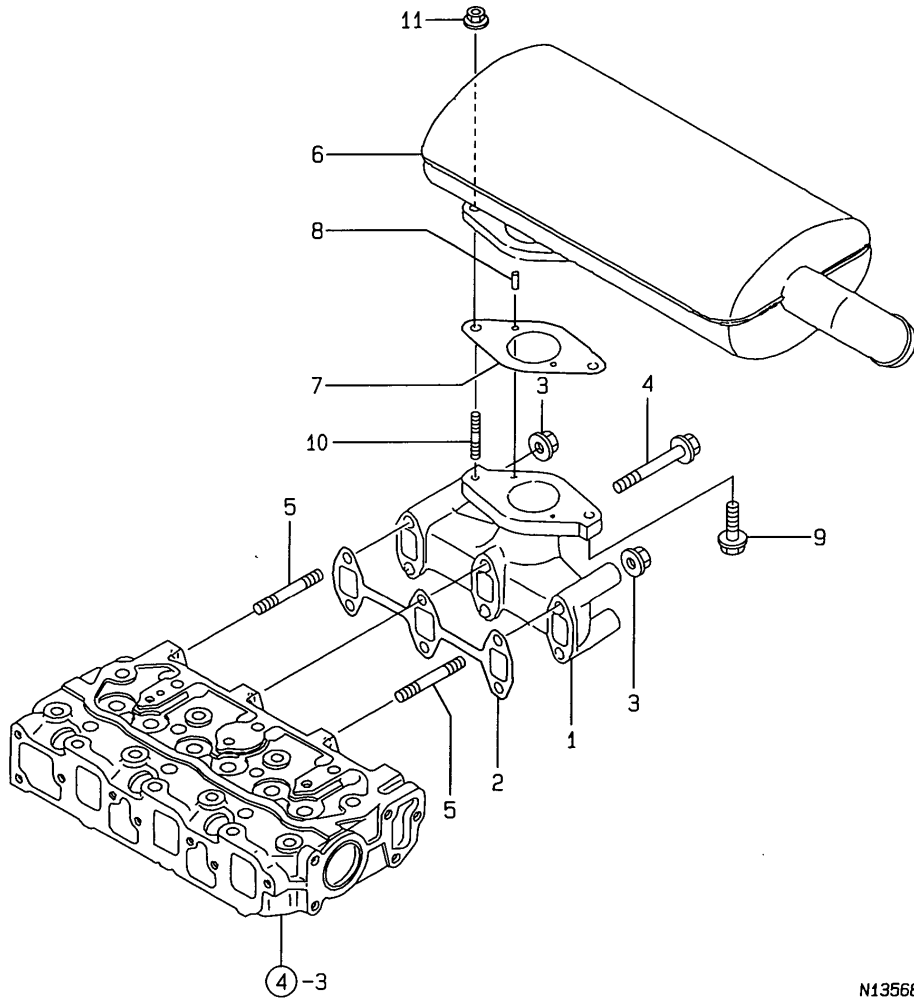
(A)=3TNE74-UTR (D)=
(B)= (E)=
(C)= (F)=

REF.	LEV.	PARTS NO.	DESCRIPTION	QTY						I	R	
				(A)	(B)	(C)	(D)	(E)	(F)			
1	1	119660-12101	MANIFOLD,AIR INTAKE	1								
2	1	119660-12111	GASKET, SUC.MANIFOLD	1								
3	1	26106-060162	BOLT M 6X 16 PLATED	2								
4	1	26106-060402	BOLT M 6X 40 PLATED	1								
5	1	119652-12550	HOSE,AIR	1								
6	1	119652-12601	SUPPORT,AIR CLEANER	1								
7	1	119865-12600	STAY	1								
11	1	23000-054000	CLAMP 54	2								
12	1	26106-060122	BOLT M 6X 12 PLATED	1								
13	1	26106-080122	BOLT M 8X 12 PLATED	2								
14	1	119668-12510	AIR CLEANER	1								
15	2	119668-12520	CANISTER	1								
16	2	119808-12540	VALVE, UNLOADER	1								
17	2	119655-12560	ELEMENT	1								
18	2	105027-12570	COVER, AIR CREAMER	1								
20	2	119233-12700	ELEMENT, SAFETY	1								

Remarks
(REMARKS)"EFFECTIVE MACHINE NO." OF
ENGINE IS INDICATED ON THE
ENGINE LABEL WHICH IS SHOWN
IN FIG.4.

6. EXHAUST MANIFOLD & SILENCER

(A)=3TNE74-UTR (D)=
 (B)= (E)=
 (C)= (F)=

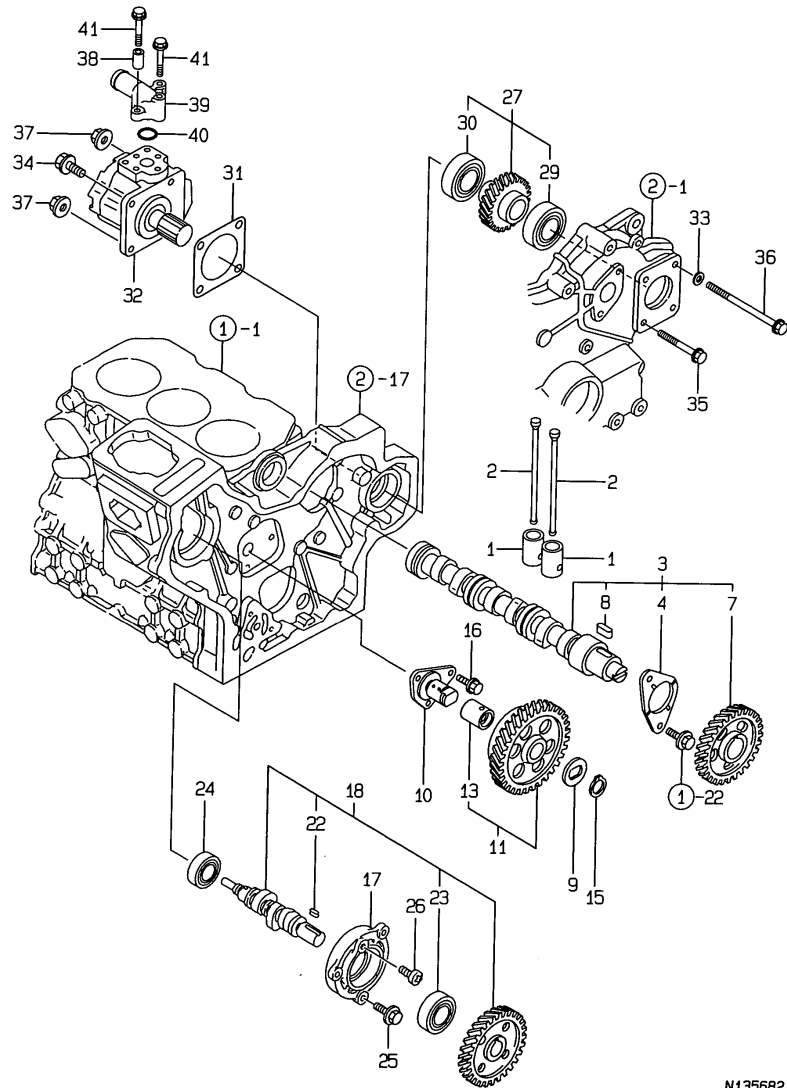


N135681

REF.	LEV.	PARTS NO.	DESCRIPTION	QTY						I	R	
				(A)	(B)	(C)	(D)	(E)	(F)			
1	1	119626-13100	MANIFOLD ASSY,EX	1								
2	1	119620-13110	GASKET, EXH.MANIFOLD	1								
3	1	26366-080002	NUT M 8	2								
3-1	1	26306-080002	NUT	2							N	
		(A=EXXX)										
4	1	26106-080702	BOLT M 8X 70 PLATED	4								
5	1	26216-080702	STUD M 8X 70 PLATED	2								
6	1	119626-13510	SILENCER	1								
7	1	129107-13540	PACKING,SILENCER GSK	1								
8	1	22351-040012	SPRING PIN 4X12	2								
9	1	26106-080352	BOLT M 8X 35 PLATED	1								
10	1	119131-18320	BOLT M 8X 22	1								
11	1	26366-080002	NUT M 8	1								
11-1	1	26306-080002	NUT	1							N	
		(A=EXXX)										

Remarks
 (REMARKS)"EFFECTIVE MACHINE NO." OF
 ENGINE IS INDICATED ON THE
 ENGINE LABEL WHICH IS SHOWN
 IN FIG.4.

7. CAMSHAFT & DRIVING GEAR



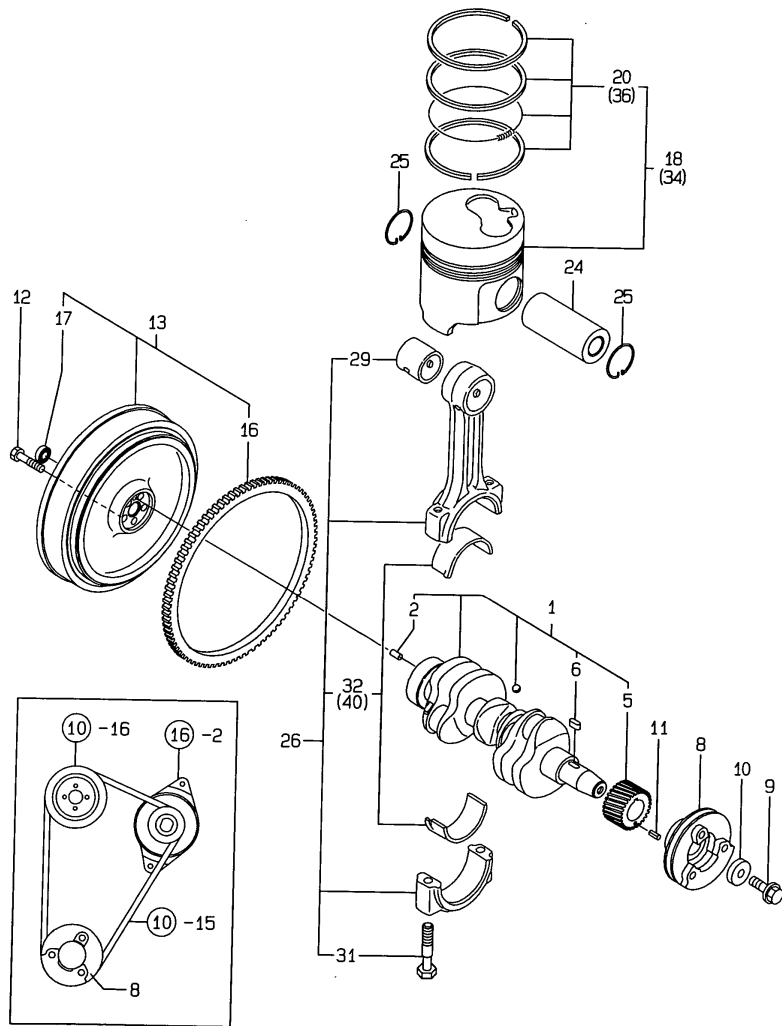
N135682

Remarks
 (1) REPAIR PART.
 (REMARKS) "EFFECTIVE MACHINE NO." OF
 ENGINE IS INDICATED ON THE
 ENGINE LABEL WHICH IS SHOWN
 IN FIG.4.

(A)=3TNE74-UTR (D)=
 (B)= (E)=
 (C)= (F)=

REF.	LEV.	PARTS NO.	DESCRIPTION	QTY						I	R
				(A)	(B)	(C)	(D)	(E)	(F)		
1	1	119620-14200	TAPPET	6							
2	1	119620-14401	ROD, PUSH	6							
3	1	119629-14580	CAMSHAFT ASSY	1							
4	2	119620-02450	BEARING, THRUST	1							
7	2	119620-14100	GEAR, CAMSHAFT	1							
8	2	22512-040120	KEY 4X 12	1							
9	1	119660-25022	RETAINER, IDLE GEAR	1							
10	1	119660-25052	SHAFT, IDLE GEAR	1							
11	1	119620-25102	GEAR W/BUSH, IDLE	1							
13	2	119620-25912	BUSH	1							1
15	1	22242-000200	CIRCLIP 20	1							
16	1	26106-060122	BOLT M 6X 12 PLATED	3							
17	1	119660-01821	BEARING, FUEL CAM.	1							
18	1	719660-14590	CAM ASSY, F.I. PUMP	1							
22	2	22512-040120	KEY 4X 12	1							
23	2	24102-063034	BALL BEARING 6303U	1							
24	1	24101-062034	BALL BEARING	1							
25	1	26106-060162	BOLT M 6X 16 PLATED	3							
26	1	26587-080102	SCREW M 8X 10	1							
27	1	119650-26001	GEAR ASSY, HYDR.PUMP	1							
29	2	129350-26490	BALL BEARING	1							
30	2	24104-060054	BALL BEARING	1							
31	1	124240-01883	GASKET, (NON-ASB.)	1							
32	1	119668-26010	PUMP, HYD.OIL	1							
33	1	22137-080000	WASHER 8, POLISHED	2							
34	1	26106-080202	BOLT M 8X 20 PLATED	1							
35	1	26106-080752	BOLT M 8X 75 PLATED	1							
36	1	26116-081302	BOLT M 8X130 PLATED	2							
37	1	26366-080002	NUT M 8	3							
37-1	1	26306-080002	NUT	3							N
(A=EXXX)											
38	1	119626-26690	SPACER	1							
39	1	198220-48140	FLANGE	1							
40	1	24311-000200	O-RING 1A P-20.0	1							
41	1	26106-060402	BOLT M 6X 40 PLATED	3							

8. CRANKSHAFT & PISTON



N135683

Remarks
 (1) REPAIR PART.
 (2) OVER-SIZE (O.S.=0.25) PART.
 (3) UNDER-SIZE (U.S.=0.25) PART.
 (REMARKS) "EFFECTIVE MACHINE NO." OF ENGINE IS INDICATED ON THE ENGINE LABEL WHICH IS SHOWN IN FIG.4.

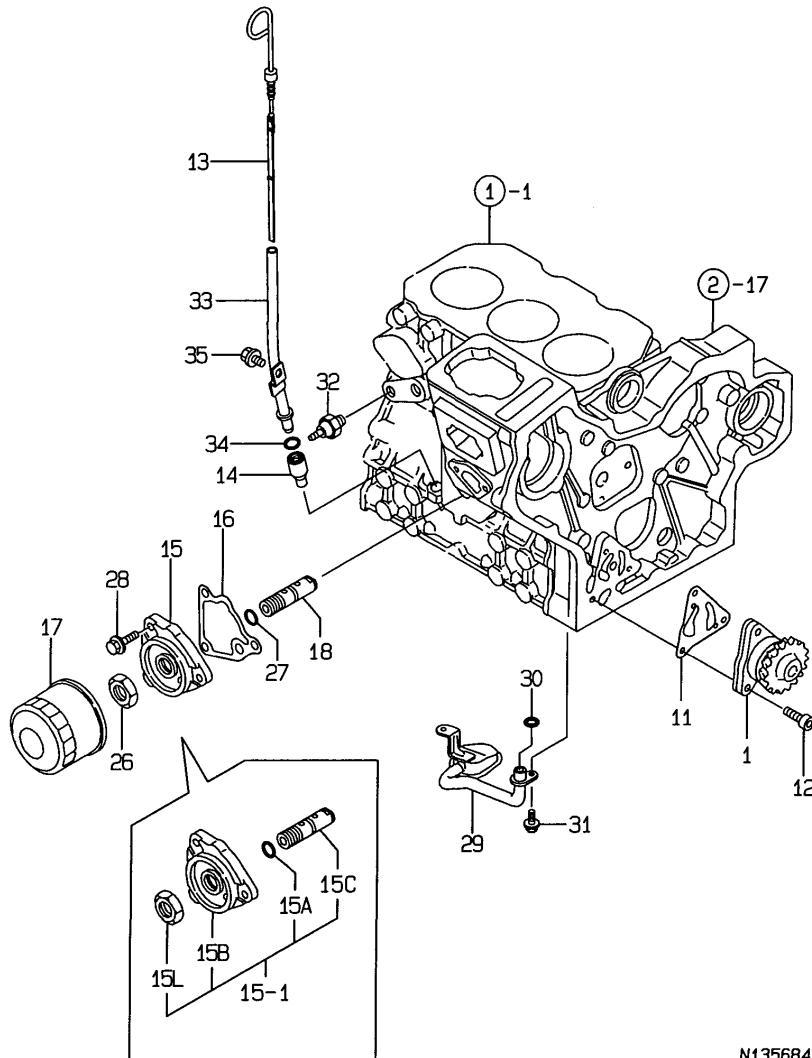
NPC-3932 8. CRANKSHAFT & PISTON

(A)=3TNE74-UTR (D)=
 (B)= (E)=
 (C)= (F)=

REF.	LEV.	PARTS NO.	DESCRIPTION	QTY						I	R
				(A)	(B)	(C)	(D)	(E)	(F)		
1	1	119623-21700	CRANKSHAFT ASSY	1							
2	2	129100-01580	PARALLEL PIN 8X16	1							
5	2	119644-21200	CRANKGEAR	1							
6	2	22512-040120	KEY 4X 12	1							
8	1	119653-21660	V-PULLEY	1							
9	1	119621-21680	BOLT M12X1.25,FLANGE	1							
10	1	119620-21941	WASHER	1							
11	1	22351-030012	SPRING PIN 3X12	1							
12	1	105225-21501	BOLT, FLYWHEEL	5							
13	1	119626-21580	FLYWHEEL ASSY	1							
16	2	124060-21600	GEAR, RING	1							
17	2	119626-21700	BEARING #6901	1							
18	1	119687-22080	PISTON W/RING	3							
18-1	1	119624-22082	PISTON ASSY	3							N
(A=E65161)											
20	2	119623-22500	RING SET,PISTON	3							
24	1	114350-22301	PIN, PISTON D=21	3							
24-1	1	114399-22300	PISTON PIN	3							N
(A=E65161)											
25	1	22252-000210	CIRCLIP 21	6							
26	1	719620-23100	ROD ASSY, CONNECTING	3							
29	2	119620-23910	BUSH, PISTON PIN	3							1
31	2	105225-23200	BOLT, ROD	6							
32	2	719620-23600	BEARING, CRANKPIN	3							
34	1	119623-22900	PISTON ASSY(O.S=0.25)	3							2
36	2	119623-22950	RING COMP.,.025 O.S.	3							2
40	1	719620-23610	BEARING,PIN U.S=0.25	3							3

9. LUBRICATING OIL SYSTEM

(A)=3TNE74-UTR (D)=
(B)= (E)=
(C)= (F)=

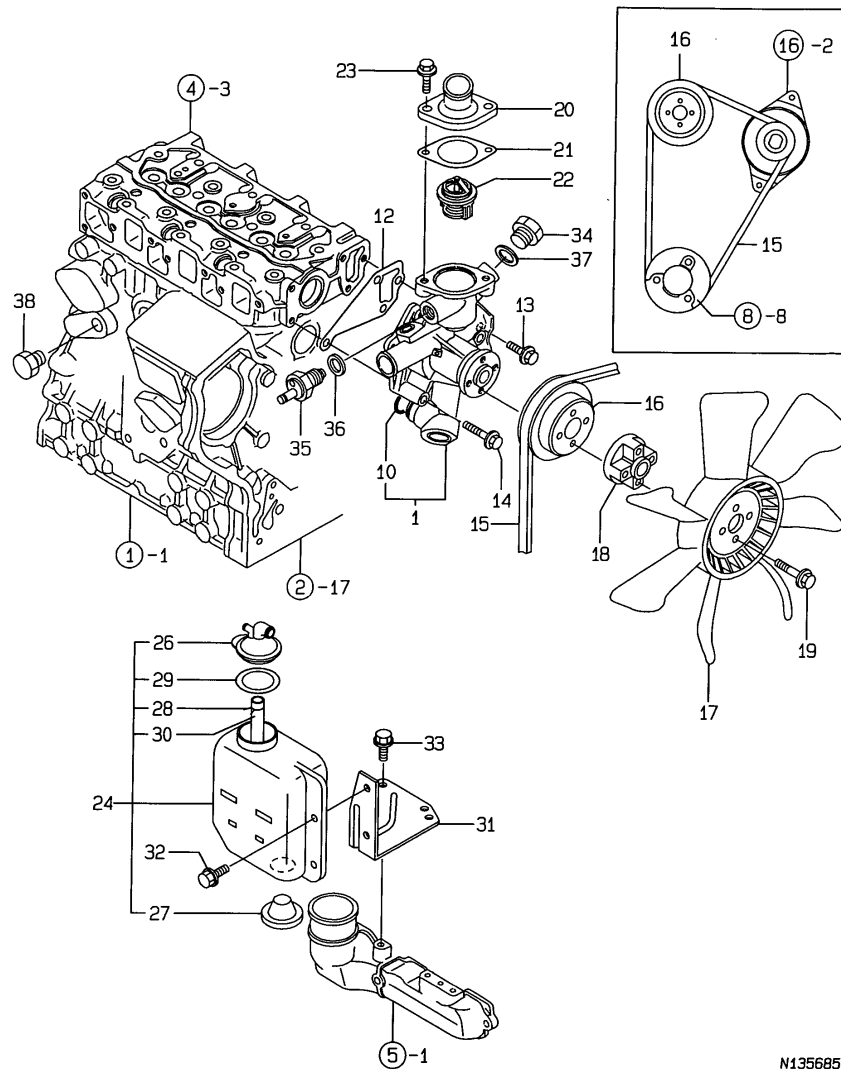


N135684

REF.	LEV.	PARTS NO.	DESCRIPTION	QTY						I	R
				(A)	(B)	(C)	(D)	(E)	(F)		
1	1	119660-32001	PUMP ASSY, LUB. OIL	1							
11	1	119660-32020	GASKET, L.O.PUMP	1							
12	1	26450-060202	BOLT M 6X 20	3							
13	1	124190-34801	DIPSTICK, LUB.OIL	1							
14	1	119260-34810	GUIDE, DIPSTICK	1							
15	1	119660-35102	BRACKET, OIL FILTER	1							
15-1	1	119609-35000	BRACKET, L.O.FILTER	1							N
		(A=E68621)									
15A	2	119609-32040	O-RING P16	1							W
		(A=E68621)									
15B	2	119660-35102	BRACKET, OIL FILTER	1							W
		(A=E68621)									
15C	2	119609-35300	VALVE ASSY,OIL PRESS	1							W
		(A=E68621)									
15L	2	129150-35350	NUT	1							W
		(A=E68621)									
16	1	119660-35113	GASKET, (NON-ASB.)	1							
17	1	119305-35150	FILTER, LUB. OIL	1							
18	1	119660-35300	VALVE ASSY,OIL PRESS	1							Z
		(A=E68621)									
26	1	129150-35350	NUT	1							Z
		(A=E68621)									
27	1	24311-000160	O-RING 1A P-16.0	1							Z
		(A=E68621)									
28	1	26106-080202	BOLT M 8X 20 PLATED	3							
29	1	119600-35081	PIPE ASSY, LUB.OIL	1							
30	1	119209-35030	O-RING	1							
31	1	26106-060102	BOLT M 6X 10 PLATED	2							
32	1	124160-39450	SWITCH, OIL PRESSURE	1							
32-1	1	114250-39450	SWITCH,(0.5KG)L.O.	1							N
		(A=E63121)									
33	1	119626-34810	GUIDE,DIP STICK	1							
34	1	24311-240100	O-RING 1A P-10A	1							
35	1	26106-060102	BOLT M 6X 10 PLATED	1							

Remarks
(REMARKS)"EFFECTIVE MACHINE NO." OF
ENGINE IS INDICATED ON THE
ENGINE LABEL WHICH IS SHOWN
IN FIG.4.

10. COOLING WATER SYSTEM



N135685

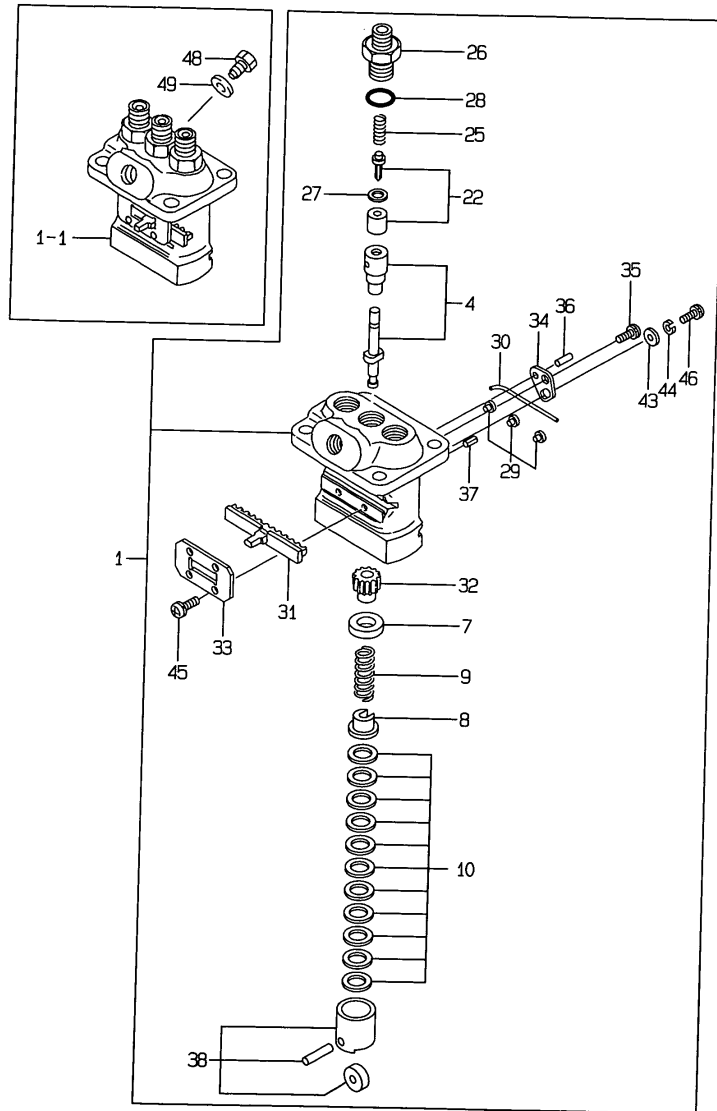
Remarks
 (REMARKS)"EFFECTIVE MACHINE NO." OF
 ENGINE IS INDICATED ON THE
 ENGINE LABEL WHICH IS SHOWN
 IN FIG.4.

NPC-3932 10. COOLING WATER SYSTEM

(A)=3TNE74-UTR (D)=
 (B)= (E)=
 (C)= (F)=

REF.	LEV.	PARTS NO.	DESCRIPTION	QTY						I	R
				(A)	(B)	(C)	(D)	(E)	(F)		
1	1	119621-42003	COOLING WATER PUMP	1							
1-1	1	119621-42004	PUMP ASSY, C.W.	1							N
		(A=E65161)									
10	2	119620-42320	O-RING	1							
10-1	2	119609-42320	O-RING	1							N
		(A=E65161)									
12	1	119620-42020	GASKET, C.W. PUMP	1							
12-1	1	119620-42021	GASKET, C.W. PUMP	1							N
		(A=E63511)									
13	1	26106-080202	BOLT M 8X 20 PLATED	1							
14	1	26106-080452	BOLT M 8X 45 PLATED	3							
15	1	119654-42290	V-BELT	1							
16	1	119642-42350	V-PULLEY	1							
17	1	119626-44741	FAN, COOLING(D=320X7	1							
18	1	171353-44760	SPACER	1							
19	1	26106-060352	BOLT M 6X 35 PLATED	4							
20	1	119660-49530	COVER, THERMOSTAT	1							
21	1	129350-49541	GASKET, (NON-ASB.)	1							
22	1	129350-49800	THERMOSTAT (71 C	1							
23	1	26106-080202	BOLT M 8X 20 PLATED	2							
24	1	119626-44510	SUBTANK	1							
26	2	121450-44531	CAP	1							
27	2	121468-44540	PLUG, SUB-TANK	1							
28	2	124450-44560	CLAMP	1							
29	2	121470-44581	GASKET	1							
30	2	23065-070130	PIPE 7X 130	1							
31	1	119626-44600	BRACKET	1							
32	1	26106-060122	BOLT M 6X 12 PLATED	2							
33	1	26106-060122	BOLT M 6X 12 PLATED	2							
34	1	121450-42450	PLUG M16	1							
35	1	121250-44901	SWITCH, THERMO(110 C	1							
36	1	124465-44950	GASKET 16	1							
37	1	124465-44950	GASKET 16	1							
38	1	171056-49120	PLUG, DRAIN	1							

11. FUEL OIL INJECTION PUMP



NPC-3932 11. FUEL OIL INJECTION PUMP

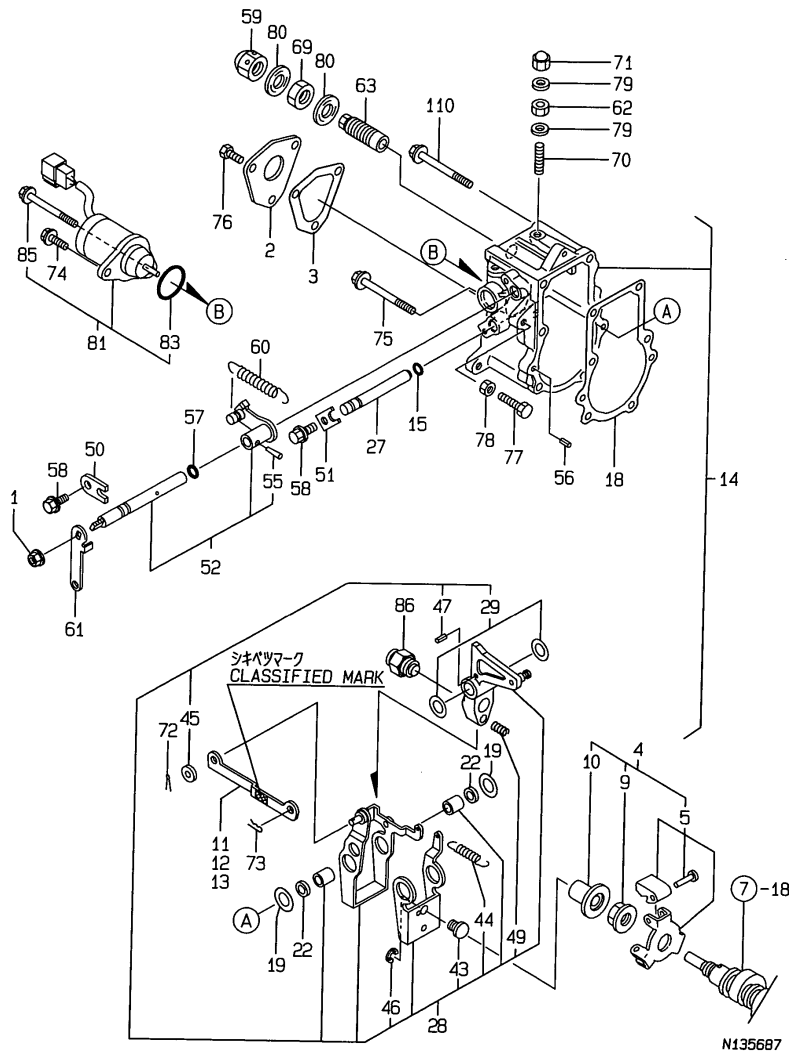
(A)=3TNE74-UTR (D)=
 (B)= (E)=
 (C)= (F)=

REF.	LEV.	PARTS NO.	DESCRIPTION	QTY						I	R
				(A)	(B)	(C)	(D)	(E)	(F)		
1	1	719621-51100	PUMP ASSY, F.INJECT.	1							
1-1	1	719624-51100	FOP ASSY	1							N
(A=E65161)											
4	2	119620-51101	PLUNGER W/BARREL	3							
7	2	119620-51170	RETAINER	3							
8	2	119620-51180	RETAINER	3							
9	2	119620-51190	SPRING, PLUNGER	3							
10	2	119620-51250	SHIM PACK	3							
22	2	119620-51300	VALVE W/SEAT, DELIV.	3							
25	2	105546-51330	SPRING, DELIV. VALVE	3							
26	2	119620-51340	HOLDER, DELIV. VALVE	3							
27	2	119620-51350	GASKET, DELIVERY	3							
28	2	119620-51370	O-RING	3							
29	2	119620-51450	GUIDE, PLUNGER	3							
30	2	119620-51461	PIN	1							
31	2	119660-51500	RACK	1							
32	2	119620-51510	PINION	3							
33	2	119660-51530	RETAINER, RACK	1							
34	2	119620-51650	PLATE	2							
35	2	119620-51660	SCREW	2							
36	2	119620-51670	PIN	2							
37	2	119620-51680	PIN	1							
38	2	119620-51700	TAPPET ASSY	3							
43	2	22137-040000	WASHER 4, POLISHED	2							Z
(A=EXXX)											
44	2	22217-040000	SPRING WASHER 4	2							Z
(A=EXXX)											
45	2	26022-040082	SCREW M 4X 8	4							
46	2	26587-040102	SCREW M 4X 10	2							
46-1	2	26033-040102	SCREW M 4X 10	2							R
(A=EXXX)											
48	1	119266-51900	BOLT	1							W
(A=E65161)											
49	1	22190-080002	SEAL WASHER 8S	1							W
(A=E65161)											

Remarks
 (REMARKS)"EFFECTIVE MACHINE NO." OF
 ENGINE IS INDICATED ON THE
 ENGINE LABEL WHICH IS SHOWN
 IN FIG.4.

12. GOVERNOR

(A)=3TNE74-UTR (D)=
 (B)= (E)=
 (C)= (F)=



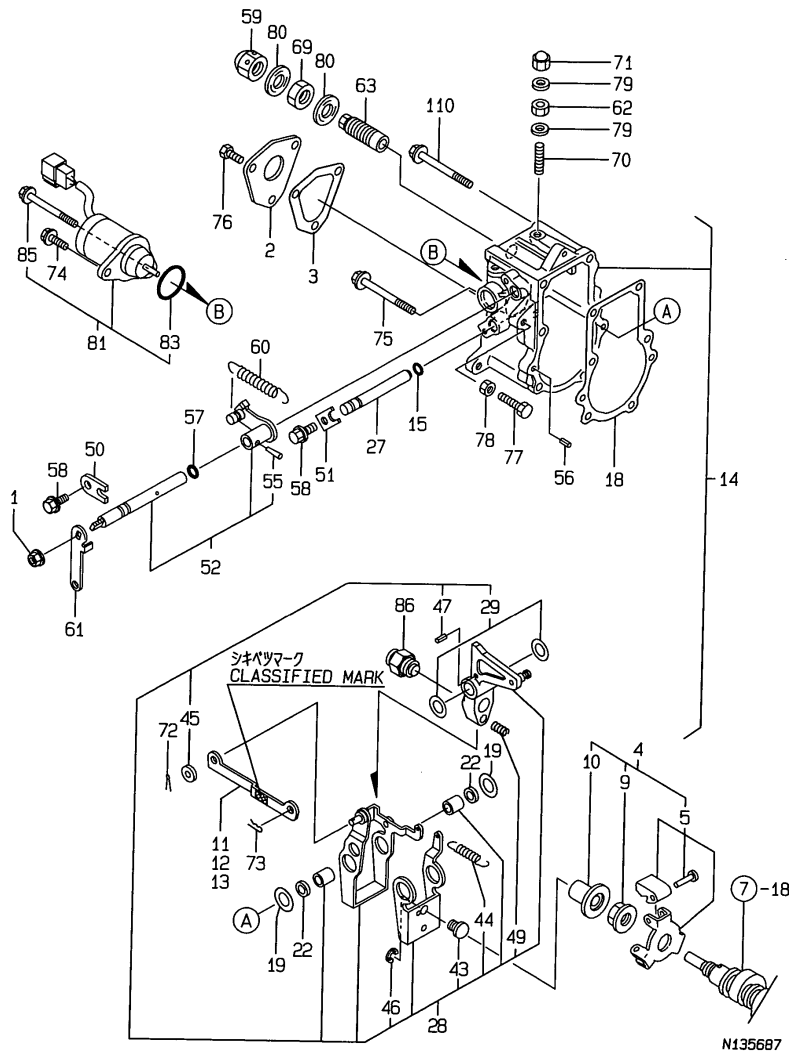
REF.	LEV.	PARTS NO.	DESCRIPTION	QTY						I	R
				(A)	(B)	(C)	(D)	(E)	(F)		
1	1	194990-22050	NUT W/WASHER 8	1							
1-1	1	26366-080002	NUT M 8	1							N
(A=E66821)											
2	1	119660-61060	COVER, GOVERNOR CASE	1							
3	1	119660-61071	GASKET, (NON-ASB.)	1							
4	1	119600-61100	DRIVING SET, GOV.	1							
5	2	119600-61200	WEIGHT ASSY, GOV.	1							
9	2	119660-61300	NUT, GOVERNOR WEIGHT	1							
10	2	119660-61341	SLEEVE, GOVERNOR	1							
11	1	119660-61121	LINK L=88.8(NO COLOR)	1							1
12	1	119660-61140	LINK L=88.6(WHITE)	1							1
13	1	119660-61150	LINK L=89.0(RED)	1							1
14	1	119632-61200	CASE ASSY, GOVERNOR	1							
15	2	129155-51280	O-RING S6	1							
18	2	119660-61052	GASKET, (NON-ASB.)	1							
19	2	119660-61460	SHIM SET	1							
22	2	129155-61480	SPACER ASSY	2							
27	2	119660-61491	SHAFT,GOVERNOR LEVER	1							
27-1	2	119660-61590	SHAFT	1							N
(A=E66821)											
28	2	119232-61510	LEVER ASSY, GOVERNOR	1							
29	3	174307-51700	SHIM SET	2							
43	3	119600-61541	SHIFTER,P.T.O.	1							
44	3	119660-61651	SPRING, STARTING	1							
45	3	22117-040000	WASHER 4	1							
46	3	22272-000040	CIRCLIP E- 4	1							
47	3	22351-030014	SPRING PIN 3X14	1							
49	3	119232-61540	SPRING, LEVER	1							
50	2	119600-61900	RETAINER, SHAFT	1							
51	2	119660-61901	RETAINER, SHAFT	1							
52	2	119285-66080	SHAFT ASSY,REGULATOR	1							
55	3	22322-030160	TAPER PIN 3X16	1							
56	2	22351-040010	SPRING PIN 4X10	2							
57	2	24341-000070	O-RING 1A S-7.0	1							
58	2	26106-060102	BOLT M 6X 10 PLATED	2							
59	1	129100-61930	NUT, CAP	1							
60	1	119645-66020	SPRING, REGULATOR	1							
61	1	119626-66050	LEVER, REGULATOR	1							
62	1	124550-66370	LOCK NUT M 6	1							
63	1	171350-61450	TORQUE SPRING ASSY.	1							
69	1	26776-120002	LOCK NUT M12 PLATED	1							
69-1	1	26736-120002	NUT M12	1							N
(A=E66821)											
70	1	121575-66830	SCREW, ADJUST	1							
71	1	119600-66840	NUT, CAP	1							
72	1	22360-040000	SNAP PIN 4	1							
73	1	22360-060000	SNAP PIN 6	1							
74	1	121465-59950	BOLT M 6X 16, PLATED	1							
75	1	26106-060702	BOLT M 6X 70 PLATED	3							
76	1	26116-050102	BOLT M 5X 10 PLATED	3							
77	1	26116-060304	BOLT M 6X 30 PLATED	1							
78	1	26756-060002	LOCK NUT 6	1							
79	1	22190-060003	SEAL WASER 6	2							
80	1	22190-120002	SEAL WASHER 12	2							

++ CONTINUE ++

Remarks
 (1) SELECTIVE PARTS: CERTAIN THE CLASSIFICATION MARK, THEN PLACE YOUR ORDER.(REF. TO ILLUSTRATION) (REMARKS)"EFFECTIVE MACHINE NO." OF ENGINE IS INDICATED ON THE ENGINE LABEL WHICH IS SHOWN IN FIG.4.

12. GOVERNOR

(A)=3TNE74-UTR (D)=
 (B)= (E)=
 (C)= (F)=

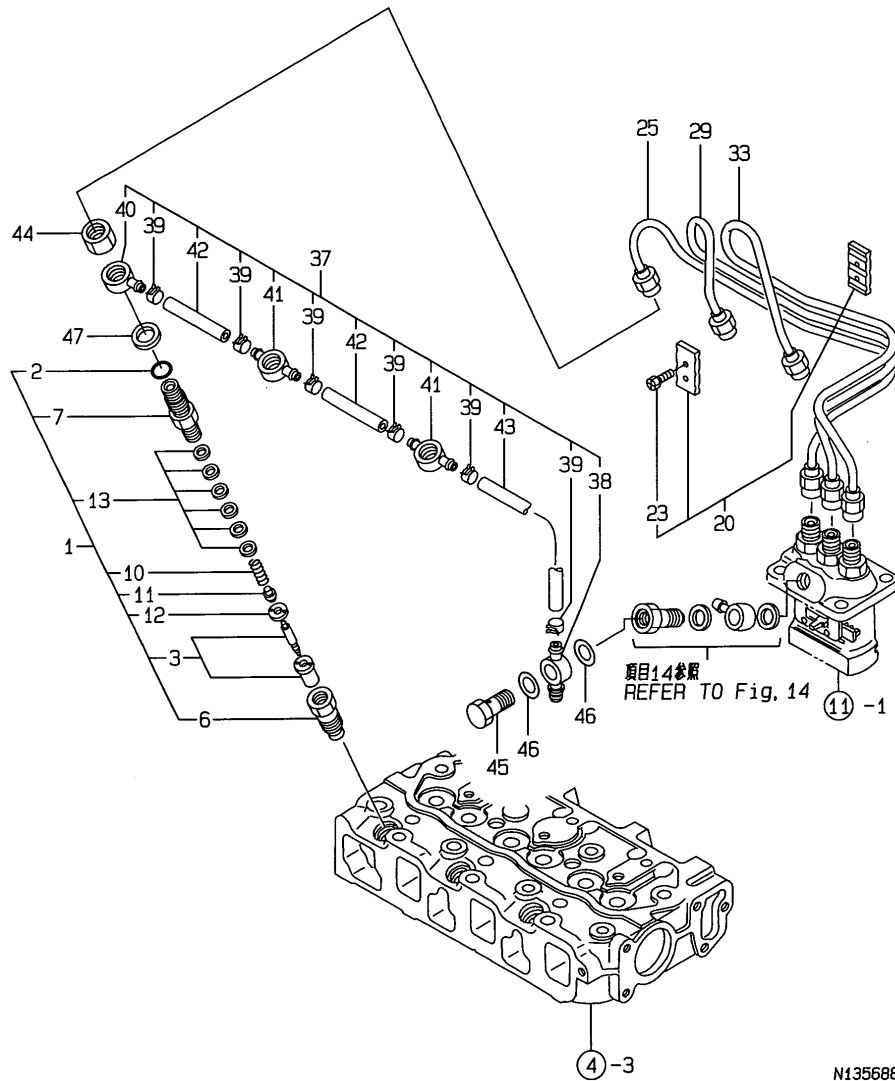


REF.	LEV.	PARTS NO.	DESCRIPTION	QTY						I	R
				(A)	(B)	(C)	(D)	(E)	(F)		
81	1	119653-66500	ENGINE STOP DEVICE	1							
83	2	24341-000280	O-RING 1A S-28.0	1							
85	2	26106-060952	BOLT M 6X 95 PLATED	1							
85-1	2	119620-01530	SOLENOID, BOLT	1							N
		(A=EXXX)									
86	1	119610-66700	ANGLEICH ASSY	1							
110	1	26106-060752	BOLT M 6X 75 PLATED	2							

Remarks
 (1) SELECTIVE PARTS: CERTAIN THE CLASSIFICATION MARK, THEN PLACE YOUR ORDER.(REF. TO ILLUSTRATION)
 (REMARKS)"EFFECTIVE MACHINE NO." OF ENGINE IS INDICATED ON THE ENGINE LABEL WHICH IS SHOWN IN FIG.4.

13. FUEL OIL INJECTION VALVE

(A)=3TNE74-UTR (D)=
 (B)= (E)=
 (C)= (F)=



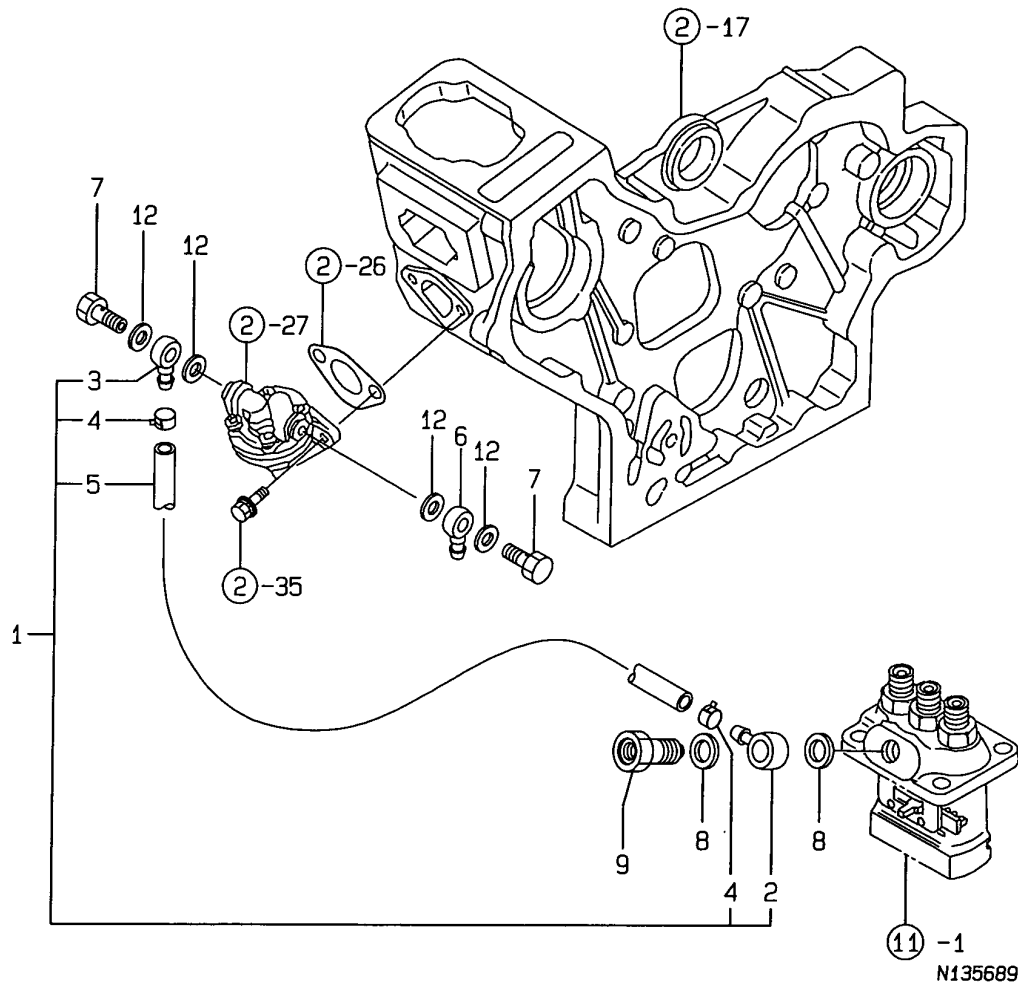
N135688

REF.	LEV.	PARTS NO.	DESCRIPTION	QTY						I	R	
				(A)	(B)	(C)	(D)	(E)	(F)			
1	1	719255-53100	FUEL INJECT.VALVE AS	3								
2	2	129155-61830	O-RING S10	3								
3	2	119620-53000	NOZZLE ASSY,F.INJECT	3								
6	2	119620-53080	NUT, VALVE W/CASE	3								
7	2	119255-53100	HOLDER,NOZZLE	3								
10	2	119620-53120	SPRING, VALVE	3								
11	2	114250-53130	SEAT, NOZZLE SPRING	3								
12	2	119620-53140	SPACER, VALVE STOP	3								
13	2	114250-53400	SHIM PACK	3								
20	1	129150-59120	RETAINER, INJ. PIPE	1								
23	2	129150-59131	BOLT M4X14,HEX.SCKT.	2								
25	1	119620-59811	PIPE (1),FUEL INJECT	1								
29	1	119620-59821	PIPE (2),FUEL INJECT	1								
33	1	119620-59831	PIPE (3),FUEL INJECT	1								
37	1	119653-59540	PIPE, FUEL RETURN	1								
38	2	121750-59090	JOINT 8, PIPE	1								
39	2	124066-59100	CLAMP 8	6								
40	2	119260-59520	JOINT (B)	1								
41	2	119260-59530	JOINT (A)	2								
42	2	105025-59550	PIPE, FUEL RETURN	2								
43	2	124732-59562	PIPE, FUEL OIL	1								
44	1	119620-59700	NUT	3								
45	1	124550-59820	BOLT 8, PIPE JOINT	1								
46	1	23414-080012	GASKET 8	2								
46-1	1	22190-080002	SEAL WASHER 8S	2								N
		(A=E63121)										
47	1	23414-140000	GASKET 14, ROUND	3								
47-1	1	22190-140002	SEAL WASHER 14S	3								N
		(A=E63121)										

Remarks
 (REMARKS)"EFFECTIVE MACHINE NO." OF
 ENGINE IS INDICATED ON THE
 ENGINE LABEL WHICH IS SHOWN
 IN FIG.4.

14. FUEL OIL LINE

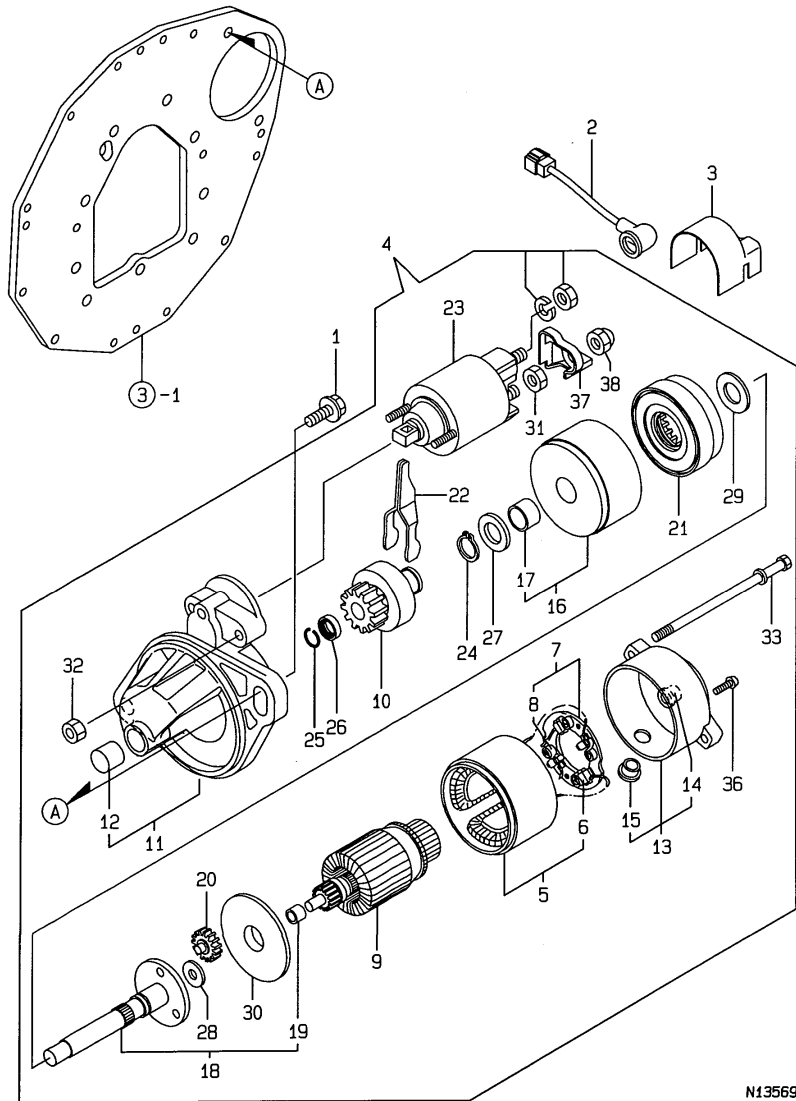
(A)=3TNE74-UTR (D)=
 (B)= (E)=
 (C)= (F)=



REF.	LEV.	PARTS NO.	DESCRIPTION	QTY						I	R	
				(A)	(B)	(C)	(D)	(E)	(F)			
1	1	119650-59010	PIPE ASSY, FUEL		1							
2	2	101304-59020	JOINT 12, PIPE		1							
3	2	104264-59030	JOINT 8, PIPE		1							
4	2	124766-59050	CLAMP 12		2							
5	2	106430-59560	PIPE, FUEL OIL		1							
6	1	104264-59030	JOINT 8, PIPE		1							
7	1	105582-59150	BOLT, PIPE JOINT		2							
8	1	22190-120002	SEAL WASHER 12		2							
9	1	119462-59190	BOLT ASSY, PIPE JOINT		1							
12	1	23414-080012	GASKET 8		4							
12-1	1	22190-080002	SEAL WASHER 8S		4							N
(A=E63121)												

Remarks
 (REMARKS)"EFFECTIVE MACHINE NO." OF
 ENGINE IS INDICATED ON THE
 ENGINE LABEL WHICH IS SHOWN
 IN FIG.4.

15. STARTING MOTOR



NPC-3932 15. STARTING MOTOR

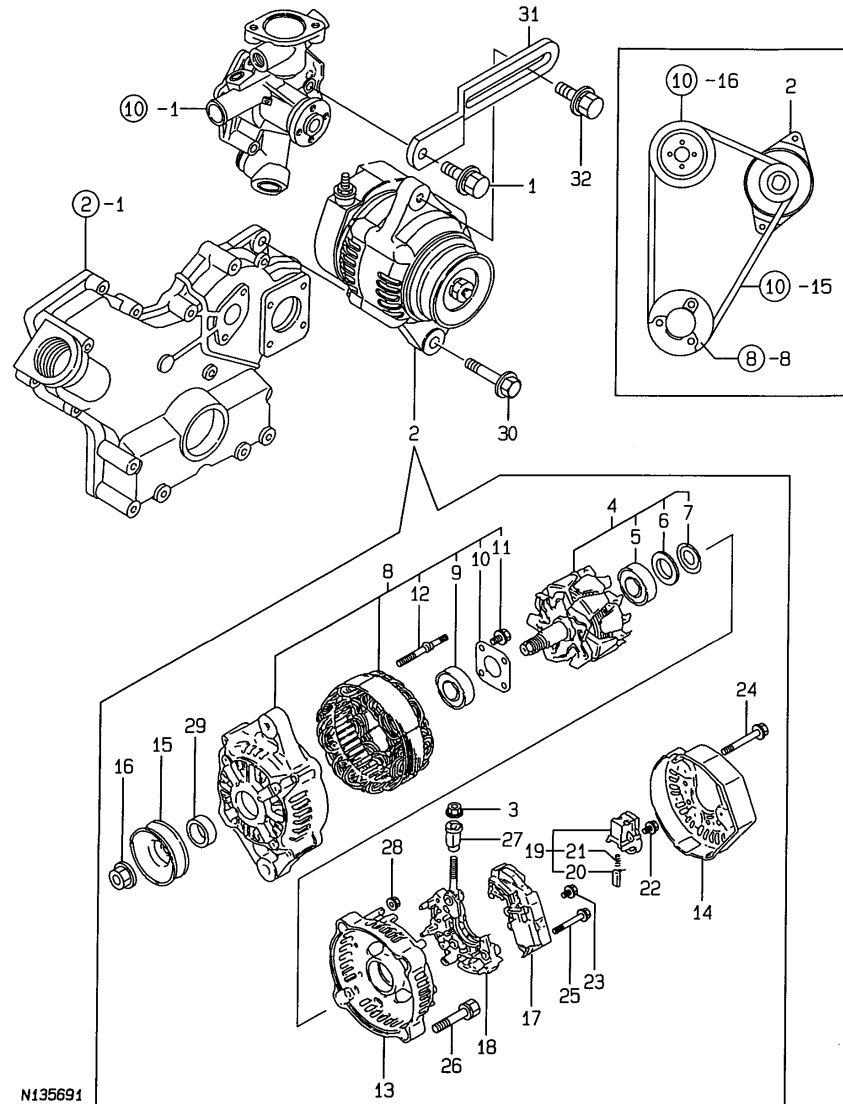
(A)=3TNE74-UTR (D)=
 (B)= (E)=
 (C)= (F)=

REF.	LEV.	PARTS NO.	DESCRIPTION	QTY						I	R
				(A)	(B)	(C)	(D)	(E)	(F)		
1	1	26106-100402	BOLT M10X 40 PLATED	2							
2	1	119626-77900	HARNES, WIRE	1							
3	1	119626-77910	COVER(STARTER)	1							Z
(A=EXXX)											
4	1	119626-77011	STARTER	1							
5	2	X0281007750	COIL ASSY, FIELD	1							
6	3	X0280996180	STARTER KIT	2							
7	2	X0285105190	HOLDER ASSY.	1							
8	3	X0285205030	SPRING	4							
9	2	X0282005991	ARMATURE ASSY	1							
10	2	X0283006960	CLUTCH SUB-ASSY.	1							
11	2	X2284007470	HOUSING ASSY	1							
12	3	X9491050100	NEEDLE BEARING	1							
13	2	X0285005750	FRAME ASSY.	1							
14	3	X9491040990	BEARING	1							
15	3	X0280626010	COVER	1							
16	2	X0284105010	BEARING SUB-ASSY.	1							
17	3	X9491034330	BEARING	1							
18	2	X0286105010	SHAFT SUB-ASSY.	1							
19	3	X9491034320	BEARING	1							
20	2	X0286305010	GEAR	3							
21	2	X0286355010	GEAR	1							
22	2	X0287405140	LEVER	1							
23	2	X1534006130	SWITCH,EMERGENCY	1							
24	2	X9055715000	RING	1							
25	2	X9490721360	RING	1							
26	2	X0280210331	NUT	1							
27	2	X9490138110	WASHER	1							
28	2	X9490138090	WASHER	1							
29	2	X9490138100	WASHER	1							
30	2	X0284525010	PLATE	1							
31	2	X9490562360	NUT	1							
32	2	X9490560750	NUT	2							
33	2	X9490423420	BOLT, THROUGH	2							
36	2	X9490065670	SCREW M 4X 6 (BS)	2							
37	2	X0280335350	COVER SET, TERMINAL	1							
38	2	X1289510130	NUT	1							

Remarks
 (REMARKS)"EFFECTIVE MACHINE NO." OF
 ENGINE IS INDICATED ON THE
 ENGINE LABEL WHICH IS SHOWN
 IN FIG.4.

16. GENERATOR

(A)=3TNE74-UTR (D)=
(B)= (E)=
(C)= (F)=



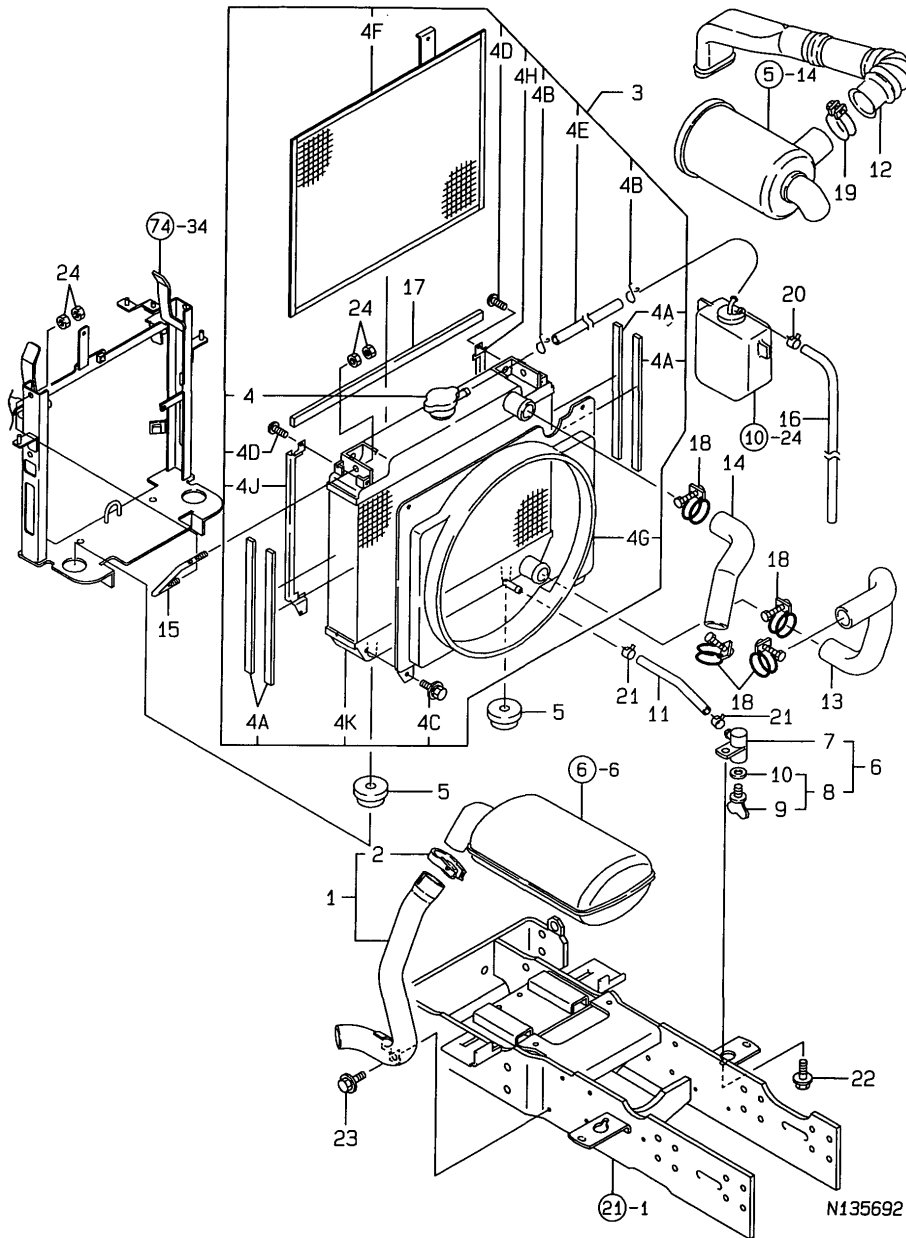
N135691

Remarks
(REMARKS)"EFFECTIVE MACHINE NO." OF
ENGINE IS INDICATED ON THE
ENGINE LABEL WHICH IS SHOWN
IN FIG.4.

REF.	LEV.	PARTS NO.	DESCRIPTION	QTY						I	R
				(A)	(B)	(C)	(D)	(E)	(F)		
1	1	26106-080162	BOLT M 8X 16 PLATED	1							
2	1	119620-77201	GENERATOR	1							
3	2	X9490561001	NUT	1							
4	2	119620-77380	ROTOR ASSY	1							
5	3	119620-79240	BALL BEARING	1							
6	3	119620-79250	COVER, BEARING	1							
7	3	119620-79360	THRUST WASHER	1							
8	2	119620-77421	FLAME ASSY, DRIVE	1							
9	3	119620-79200	BALL BEARING	1							
10	3	119620-79210	PLATE	1							
11	3	119620-79220	SCREW	4							
12	3	119620-79230	BOLT, STUD	2							
13	2	119620-77440	FLAME ASSY, REAR	1							
14	2	119620-77450	COVER	1							
15	2	119620-77461	PULLEY	1							
16	2	119620-77471	NUT	1							
17	2	119620-77710	REGULATOR ASSY	1							
18	2	119620-79260	HOLDER	1							
19	2	119620-79270	HOLDER, BRUSH	1							
20	3	119620-77480	BRUSH ASSY	2							
21	3	119620-79280	SPRING	2							
22	2	119620-79290	SCREW	6							
23	2	119620-79300	SCREW	1							
24	2	119620-79310	BOLT	3							
25	2	119620-79320	SCREW W/WASHER	2							
26	2	119620-79330	BOLT	2							
27	2	119620-79340	INSULATION BUSH	1							
28	2	119620-79350	NUT	2							
29	2	119620-77490	COLLAR	1							
30	1	26106-100452	BOLT M10X 45 PLATED	1							
31	1	119626-77330	ADJUSTER	1							
31-1	1	119626-77340	ADJUSTER	1							R
(A=E65161)											
32	1	26014-080252	BOLT M 8X 25	1							

17. ENGINE ACCESSORIES

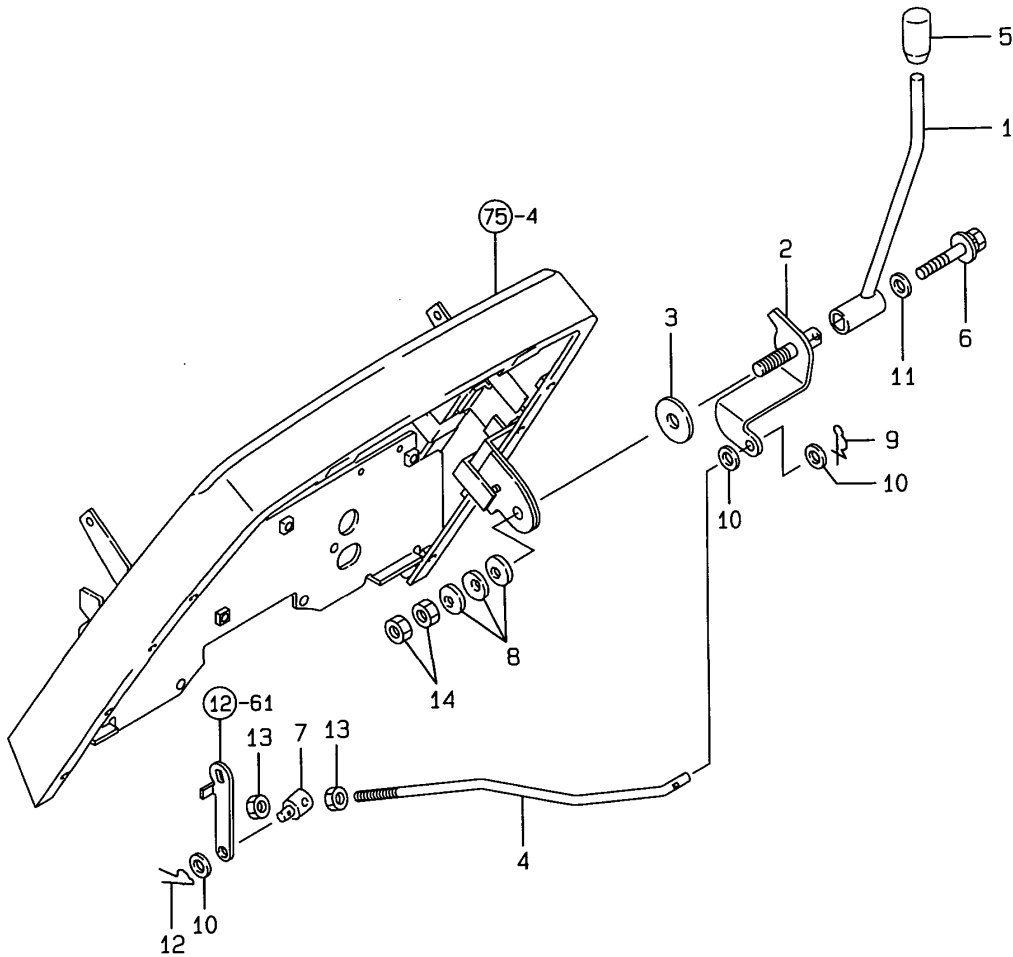
(A)=KE-200H (D)=
(B)= (E)=
(C)= (F)=



REF.	LEV.	PARTS NO.	DESCRIPTION	QTY						I	R
				(A)	(B)	(C)	(D)	(E)	(F)		
1	1	198167-00510	PIPE, EXT	1							
2	2	119650-13620	CLAMP, EXHAUST PIPE	1							
3	1	198165-00600	RADIATOR	1							
4	2	129107-44590	CAP, RADIATOR	1							
4A	2	119626-44570	GASKET, RADIATOR	4							
4B	2	121250-44590	CLAMP	2							
4C	2	26014-060122	BOLT M 6X 12	4							
4D	2	26557-060122	SCREW M 6X 12,PAN HD	4							
4E	2	121250-49160	PIPE, WATER DRAIN	1							
4F	2	119854-44570	FILTER	1							
4G	2	119626-44580	SHROUD, RADIATOR	1							
4H	2	119853-44580	RAIL, GUIDE	1							
4J	2	119853-44590	RAIL, GUIDE	1							
4K	2	119626-44590	RADIATOR ASSY	1							
5	1	198162-00640	SUPPORT	2							
6	1	198421-00640	COCK COMP.,2-WAY	1							
7	2	198421-00650	BODY,2-WAY COCK	1							
8	2	129150-49080	COCK, DRAIN	1							
9	3	119629-49070	COCK, DRAIN	1							
10	3	119629-49080	GASKET	1							
11	1	198167-00670	PIPE, DRAIN	1							
12	1	198165-00680	PIPE, EXTENSION	1							
13	1	198165-00720	PIPE (L), C.WATER	1							
14	1	198167-00730	PIPE (U), C.WATER	1							
15	1	198167-00810	ROD, RADIATOR CLAMP	2							
16	1	198165-00950	TUBE, SUB TANK	1							
17	1	121454-44590	PAD	1							
18	1	23010-038000	CLAMP 38	4							
19	1	23010-050000	CLAMP 50	1							
20	1	23080-008000	CLAMP 8	1							
21	1	23080-012000	CLAMP 12	2							
22	1	26018-080162	BOLT M 8X 16	1							
23	1	26018-080202	BOLT M 8X 20	1							
24	1	26756-080002	LOCK NUT M 8 PLATED	8							

18. ACCELERATOR LEVER

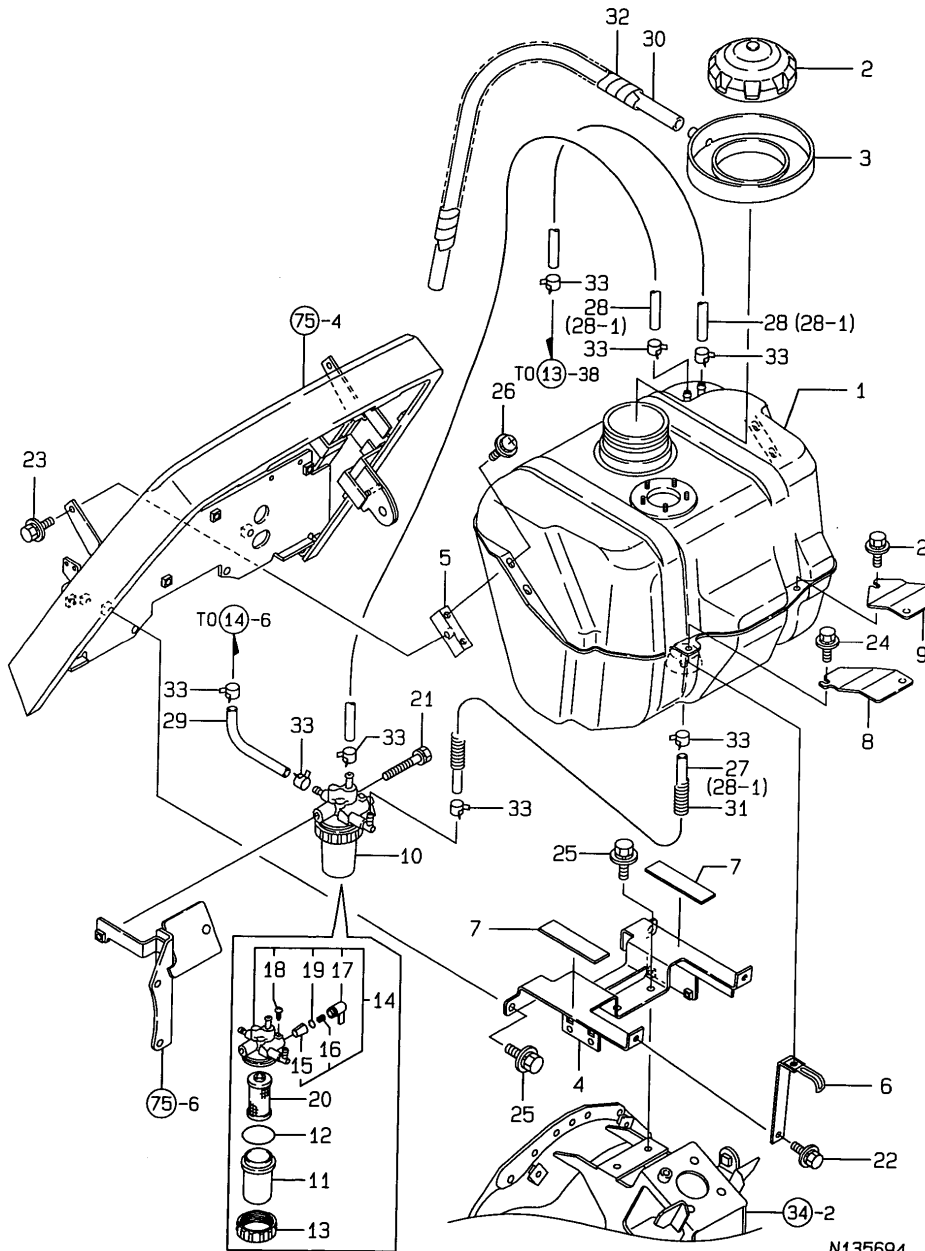
(A)=KE-200H (D)=
 (B)= (E)=
 (C)= (F)=



REF.	LEV.	PARTS NO.	DESCRIPTION	QTY						I	R
				(A)	(B)	(C)	(D)	(E)	(F)		
1	1	198165-01110	LEVER, ACCEL	1							
2	1	198167-01120	SHAFT, CMP ACCEL	1							
3	1	198165-01130	PLATE, FRICTION	1							
4	1	198165-01150	ROD, ACCEL LINK	1							
5	1	194464-01190	KNOB, THROTTLE LEVER	1							
5-1	1	198253-01190	KNOB, THROTTLE LEVER	1							N
(A=F130402)											
6	1	198421-01250	BOLT 6X40	1							
7	1	194150-01370	ADJUSTER	1							
8	1	194151-47760	WASHER 12	3							
9	1	1C6281-52320	PIN 8,COME-OFF SNAP	1							
10	1	22137-080000	WASHER 8, POLISHED	3							
11	1	22157-060000	WASHER 6	1							
12	1	22372-080000	SNAP PIN (JASO 8)	1							
13	1	26716-080002	NUT M 8	2							
14	1	26716-120002	NUT 12	2							

19. FUEL TANK

(A)=KE-200H (D)=
 (B)= (E)=
 (C)= (F)=

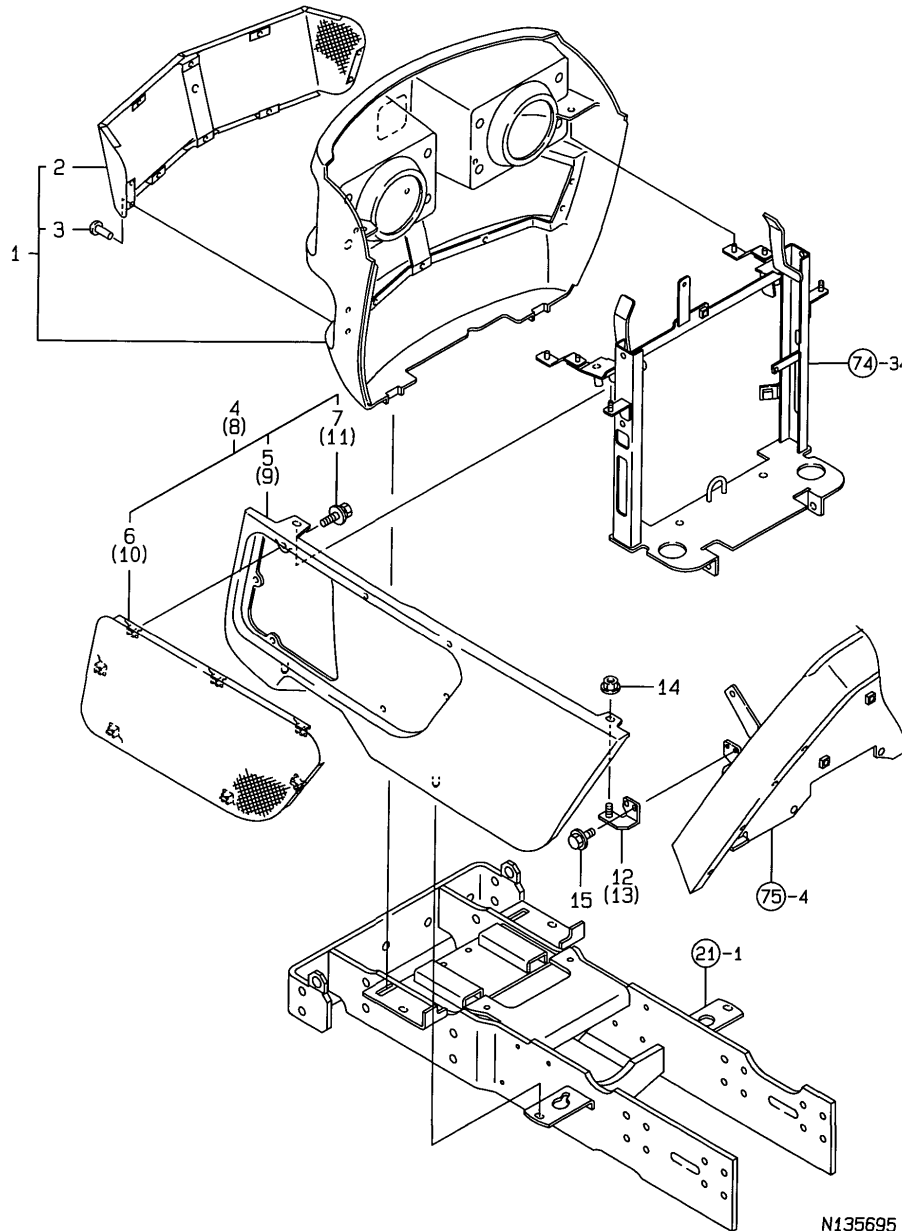


N135694

REF.	LEV.	PARTS NO.	DESCRIPTION	QTY						I	R
				(A)	(B)	(C)	(D)	(E)	(F)		
1	1	198165-04110	FUEL TANK	1							
2	1	1A6640-04130	CAP,FUEL TANK	1							
3	1	198165-04140	CAT.PAN ,FUEL TANK	1							
4	1	198165-04311	STAY, CMP TANK	1							
5	1	198165-04350	BRACKET, FRONT TANK	2							
6	1	198165-04370	BRACKET, REAR TANK	2							
7	1	198165-04380	RUBBER, 100X25X3	2							
8	1	1A6640-04450	COVER L,HARNESS	1							
9	1	1A6640-04460	COVER R,HARNESS	1							
10	1	119462-55620	STRAINER, FUEL	1							
11	2	124064-55510	BOWL, FUEL STRAINER	1							
12	2	102103-55520	O-RING	1							
13	2	110250-55610	RING, RETAINING	1							
14	2	119626-55690	BODY,FO FILTER	1							
15	3	104200-55321	VALVE, TAPER	1							
16	3	104200-55330	SPRING, TAPER VALVE	1							
17	3	119810-55340	LEVER	1							
18	3	104200-55750	SCREW M 4	1							
19	3	24311-240100	O-RING 1A P-10A	1							
20	2	104500-55710	ELEMENT, FUEL	1							
21	1	26013-080752	BOLT 8X 75	1							
22	1	26018-060162	BOLT M6X16	2							
23	1	26018-060162	BOLT M6X16	2							
24	1	26018-060202	BOLT M 6X 20	2							
25	1	26018-080202	BOLT M 8X 20	4							
26	1	26023-060162	SCREW M 6X 16	4							
27	1	198165-04410	HOSE, FUEL SVC	1							Z
(A=F130456)											
28	1	198165-04420	HOSE, FUEL RET	2							
28-1	1	198165-04420	HOSE, FUEL RET	3							K
(A=F130456)											
29	1	198165-04430	HOSE, FUEL LOWER	1							
30	1	198421-04430	PIPE,FUEL OIL PAN	1							
31	1	198165-04440	TUBE 360	1							
32	1	198165-04460	COVER, FUEL HOSE	1							
33	1	23080-012000	CLAMP 12	8							

20. BELT COVER

(A)=KE-200H (D)=
 (B)= (E)=
 (C)= (F)=



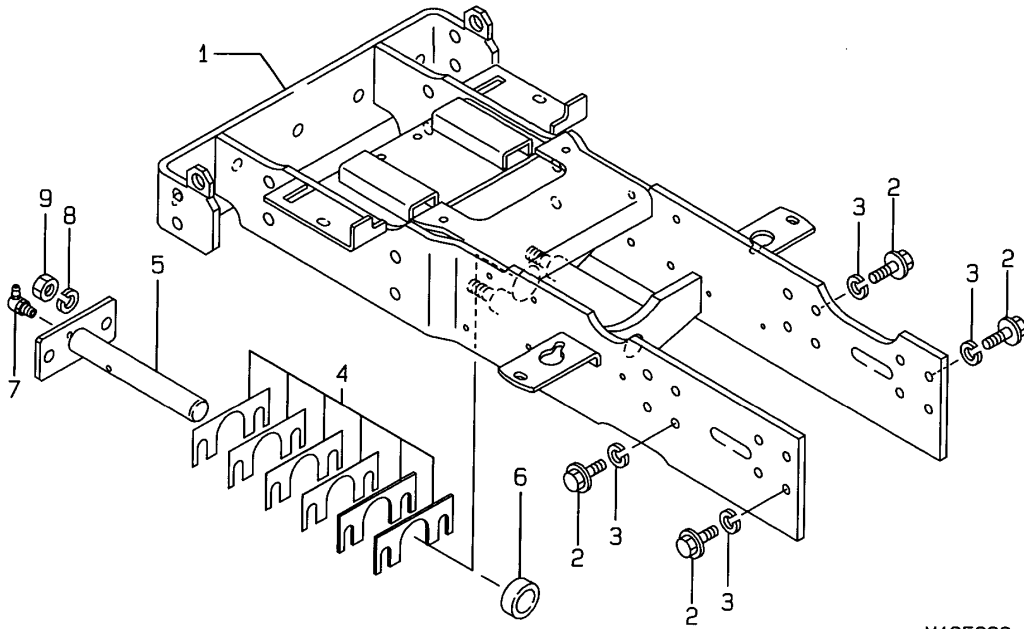
REF.	LEV.	PARTS NO.	DESCRIPTION	QTY						I	R
				(A)	(B)	(C)	(D)	(E)	(F)		
1	1	1A6640-05310	GRILL COMP.,FRONT	1							
2	2	1A6640-05510	NET,FRONT GRILL COMP	1							
3	2	22695-320801	RIVET B 3.2X8.0	10							
4	1	1A6640-05350	PANEL L KIT,SIDE	1							
5	2	1A6640-05360	PANEL L COMP.,SIDE	1							
6	2	1A6640-05610	NET,S PANEL L COMP.	1							
7	2	26016-060122	BOLT M 6X 12	7							
8	1	1A6640-05400	PANEL R KIT,SIDE	1							
9	2	1A6640-05410	PANEL R COMP.,SIDE	1							
10	2	1A6640-05660	NET,S PANEL R COMP.	1							
11	2	26016-060122	BOLT M 6X 12	7							
12	1	1A6640-05710	HOLDER L,SP COMP.	1							
13	1	1A6640-05760	HOLDER R,SP COMP.	1							
14	1	194990-22130	NUT W/WASHER 6	2							
15	1	26107-050102	BOLT M 5X 10 PLATED	4							

N135695

21. FRONT BRACKET

NPC-3932 21. FRONT BRACKET

(A)=KE-200H (D)=
 (B)= (E)=
 (C)= (F)=

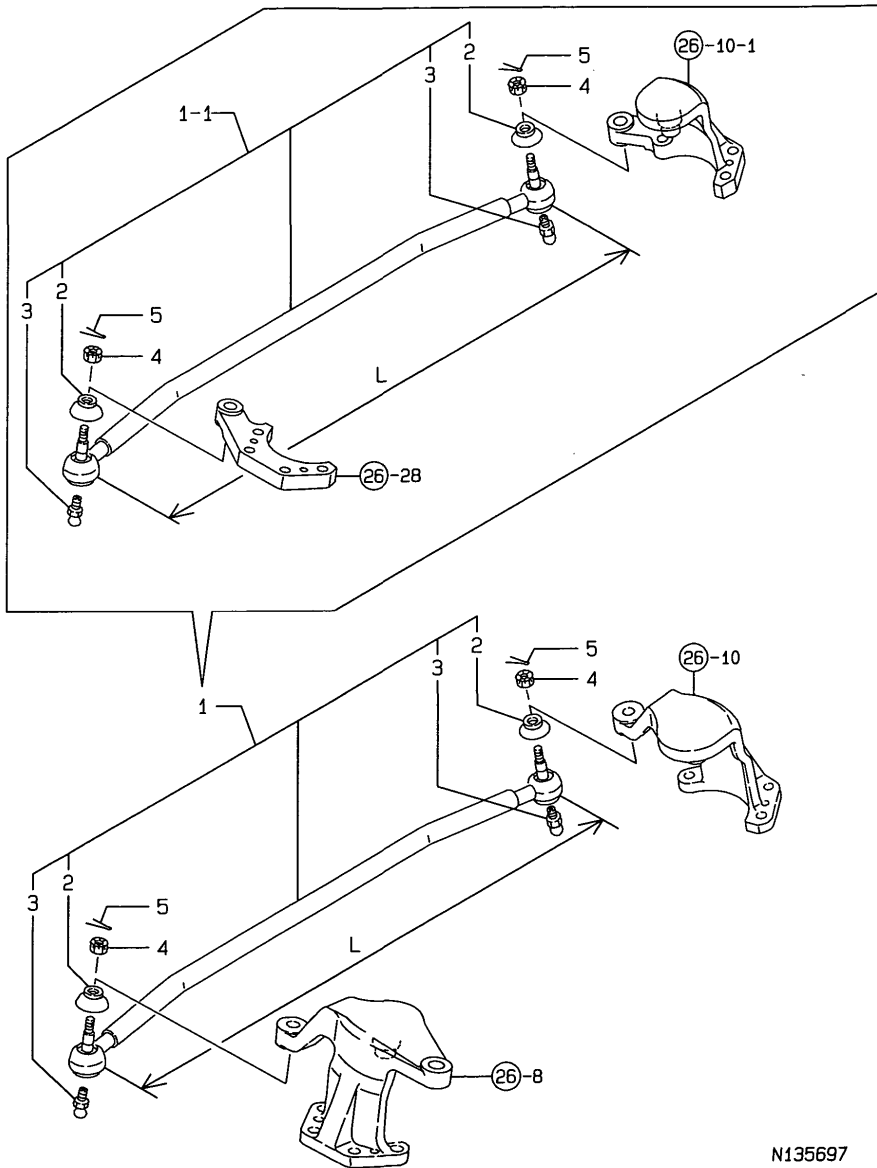


N135696

REF.	LEV.	PARTS NO.	DESCRIPTION	QTY						I	R
				(A)	(B)	(C)	(D)	(E)	(F)		
1	1	1A6640-11090	BRACKET KIT,AXLE	1							
2	1	198165-11360	BOLT 10X25	16							
3	1	194274-13570	SPRING WASHER 10	16							
4	1	198165-11500	SHIM SET, CENTER PIN	1							
5	1	198165-11510	PIN, CENTER	1							
6	1	198165-11540	BUSH, CENTER PIN	1							
7	1	198435-16230	GREASE FITTING	1							
8	1	22217-120000	SPRING WASHER	2							
9	1	26716-120002	NUT 12	2							

22. TIE ROD

(A)=KE-200H (D)=
 (B)= (E)=
 (C)= (F)=

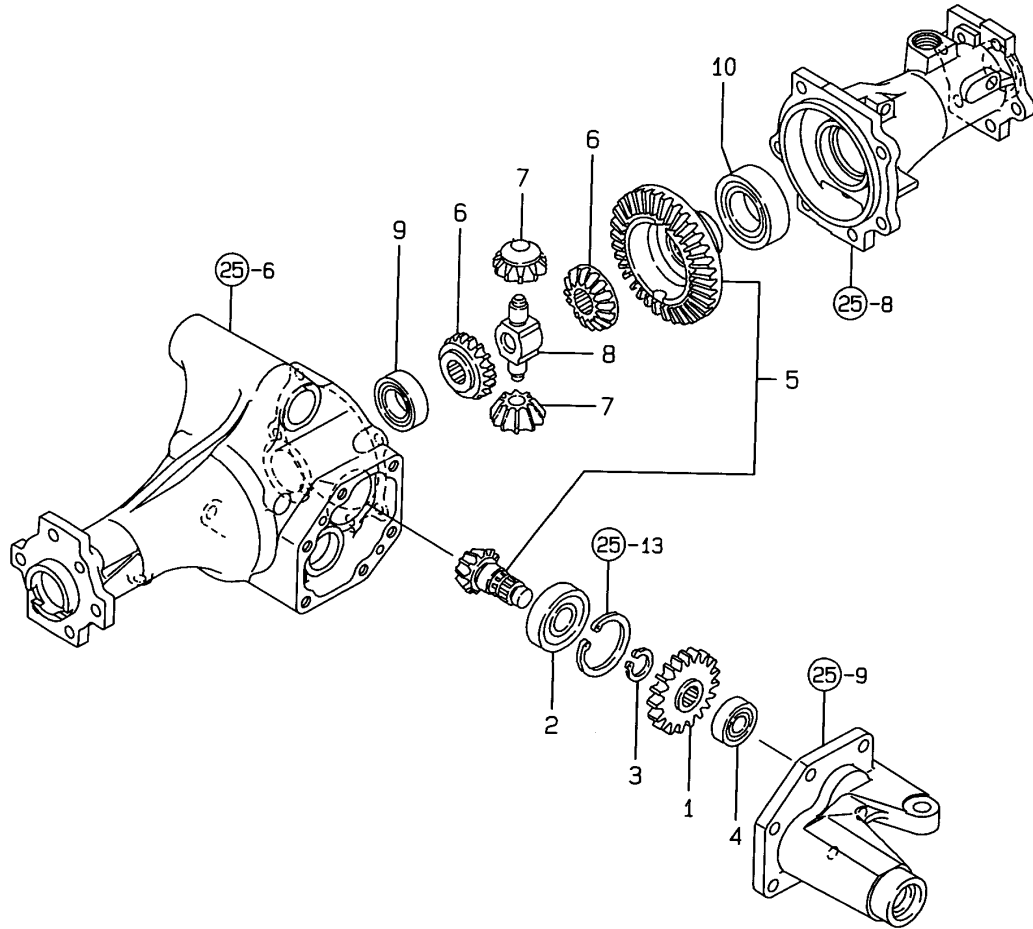


REF.	LEV.	PARTS NO.	DESCRIPTION	QTY						I	R
				(A)	(B)	(C)	(D)	(E)	(F)		
1	1	198165-12310	ROD, CMP TIE	1							
1-1	1	1A6641-12310 (A=F130301)	ROD, CMP TIE	1							S 1
2	2	194300-13340	COVER,DUST	2							
3	2	24761-060000	NIPPLE MT6X1, GREASE	2							
4	1	194215-12341	NUT	2							
4-1	1	194215-12340 (A=F130456)	NUT M10	2							R
5	1	22417-250250	COTTER PIN 2.5X25	2							

N135697

Remarks
 (1)L= REF NO.1 656M/M, 1-1 671.4M/M

23. DRIVE PINION



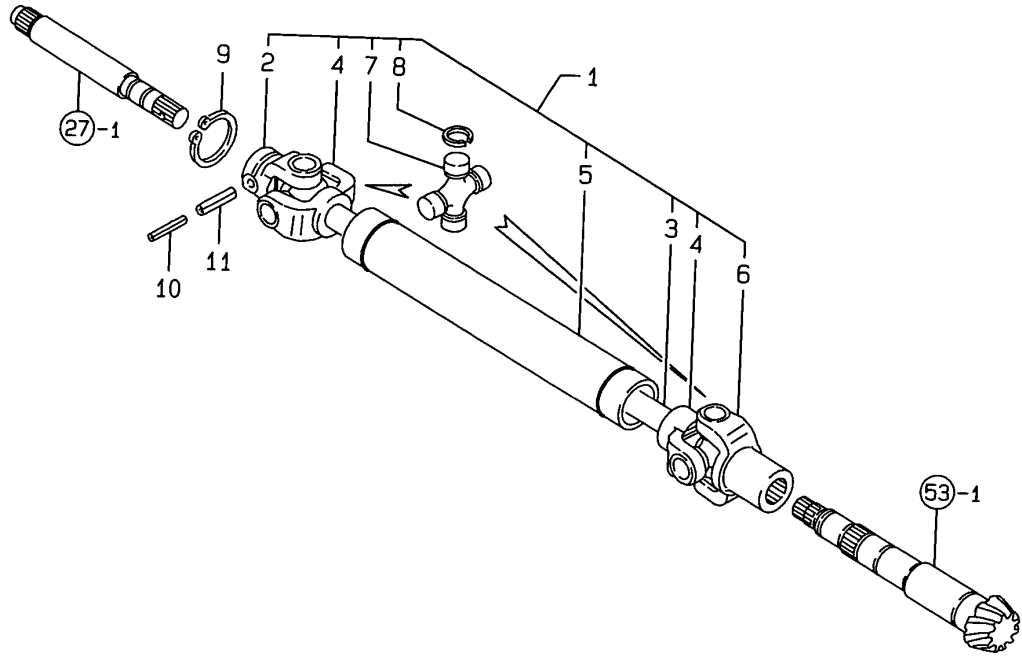
N135698

NPC-3932 23. DRIVE PINION

(A)=KE-200H (D)=
 (B)= (E)=
 (C)= (F)=

REF.	LEV.	PARTS NO.	DESCRIPTION	QTY						I	R
				(A)	(B)	(C)	(D)	(E)	(F)		
1	1	198165-13120	GEAR,19T FRONT	1							
2	1	194447-13860	BALL BEARING	1							
3	1	22242-000200	CIRCLIP 20	1							
4	1	24101-062024	BALL BEARING	1							
5	1	198165-13100	PINION, DRIVE KIT	1							
6	1	198421-13221	GEAR,DIFF.SIDE	2							
7	1	198421-13231	PINION,DIFFERENTIAL	2							
8	1	198421-13240	SHAFT,DIFF.PINION	1							
9	1	24101-060054	BALL BEARING	1							
10	1	24101-060074	BALL BEARING	1							

24. PROPELLER SHAFT



N135699

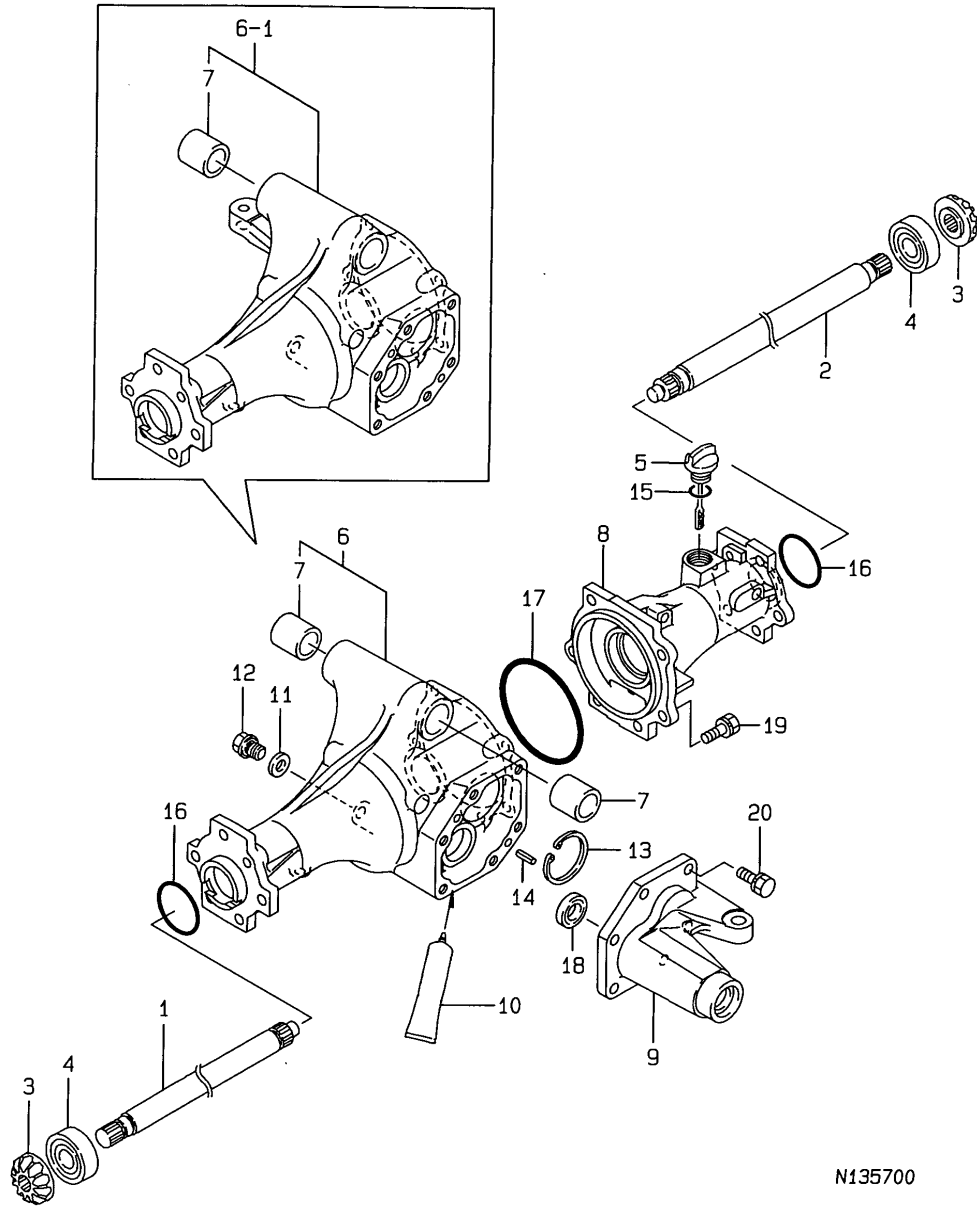
NPC-3932 24. PROPELLER SHAFT

(A)=KE-200H (D)=
 (B)= (E)=
 (C)= (F)=

REF.	LEV.	PARTS NO.	DESCRIPTION	QTY						I	R
				(A)	(B)	(C)	(D)	(E)	(F)		
1	1	198165-13310	SHAFT,CMP PROPELLER	1							
2	2	198165-13320	YOKE, A	1							
3	2	198165-13350	SHAFT	1							
4	2	198221-13360	YOKE	2							
5	2	198165-14610	COVER, SHAFT	1							
6	2	194802-22250	YOKE, SLEEVE	1							
7	2	194802-22260	JOURNAL	2							
8	2	194802-22270	RING, SNAP	8							
9	1	22242-000360	CIRCLIP 36	1							
10	1	22351-035032	SPRING PIN 3.5X32	1							
11	1	22351-060032	SPRING PIN 6X32	1							

25. FRONT AXLE CASE

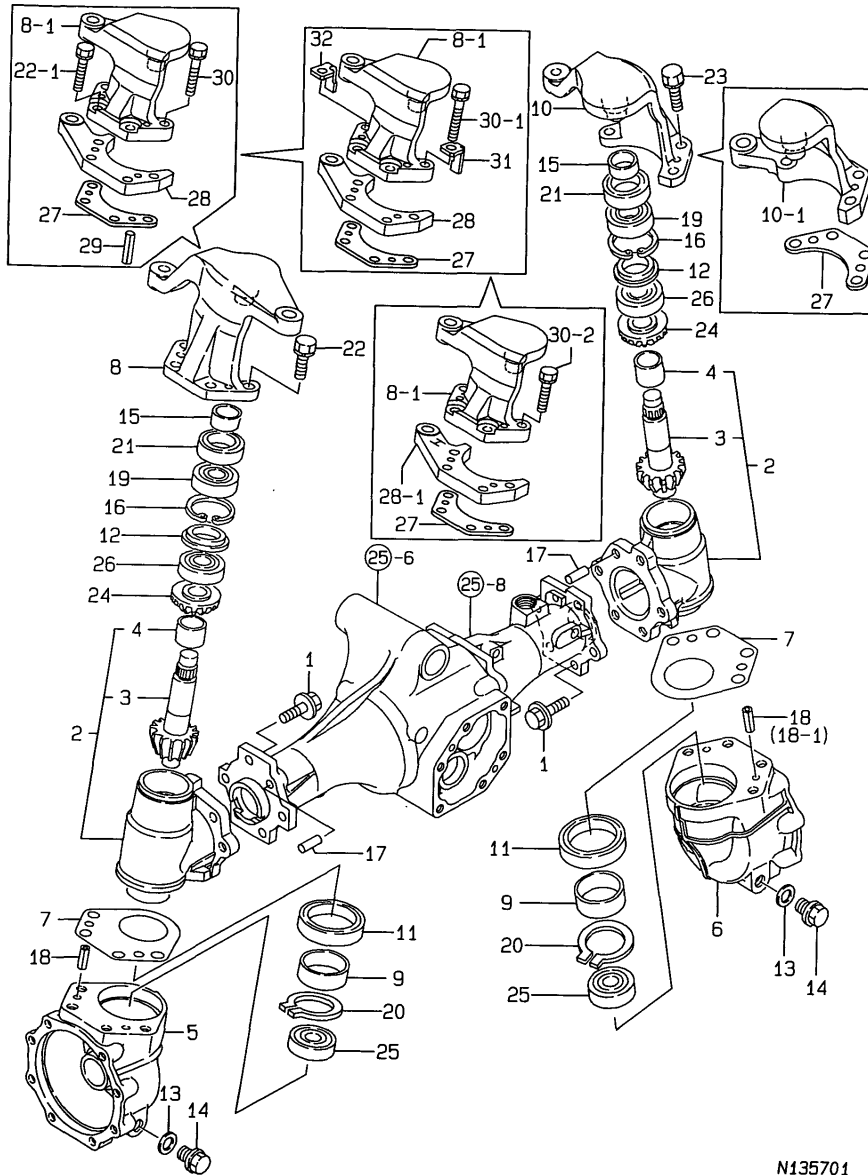
(A)=KE-200H (D)=
 (B)= (E)=
 (C)= (F)=



REF.	LEV.	PARTS NO.	DESCRIPTION	QTY						I	R
				(A)	(B)	(C)	(D)	(E)	(F)		
1	1	198165-13511	SHAFT L,FRONT 1	1							
2	1	198165-13521	SHAFT R,FRONT 1	1							
3	1	198165-13531	GEAR 16T, FRONT	2							
4	1	24101-062054	BEARING #6205	2							
5	1	194447-13490	CAP W/DIPSTICK	1							
6	1	198165-13600	CASE L COMP, F. AXLE	1							
6-1	1	1A6641-13600	CASE L COMP, F. AXLE	1							S
		(A=F130301)									
7	2	194850-13660	BUSH	2							
8	1	198165-13620	CASE R,FRONT AXLE	1							
9	1	198165-13630	COVER, F.AXLE CASE	1							
9-1	1	198165-13631	COVER,FRONT AXLE CAS	1							N
		(A=F130402)									
10	1	194855-24020	SEALANT	1							
11	1	198165-24440	GASKET(20*12*2	1							
12	1	198165-24490	BOLT M 12X 12 PLATED	1							
13	1	22252-000520	CIRCLIP 52	1							
14	1	22351-080020	SPRING PIN 8X20	2							
15	1	24311-000180	O-RING 1A P-18.0	1							
16	1	24321-000500	O-RING 1A G-50.0	2							
17	1	24321-001150	O-RING 1A G-115.0	1							
18	1	24421-173007	SEAL TC17 30 07, OIL	1							
19	1	26013-100302	BOLT M10X 30	6							
20	1	26016-100302	BOLT M10X 30	6							

N135700

26. FRONT GEAR CASE



N135701

Remarks
(1)REF NO.47-1 MARK H TO DISTINGUISH

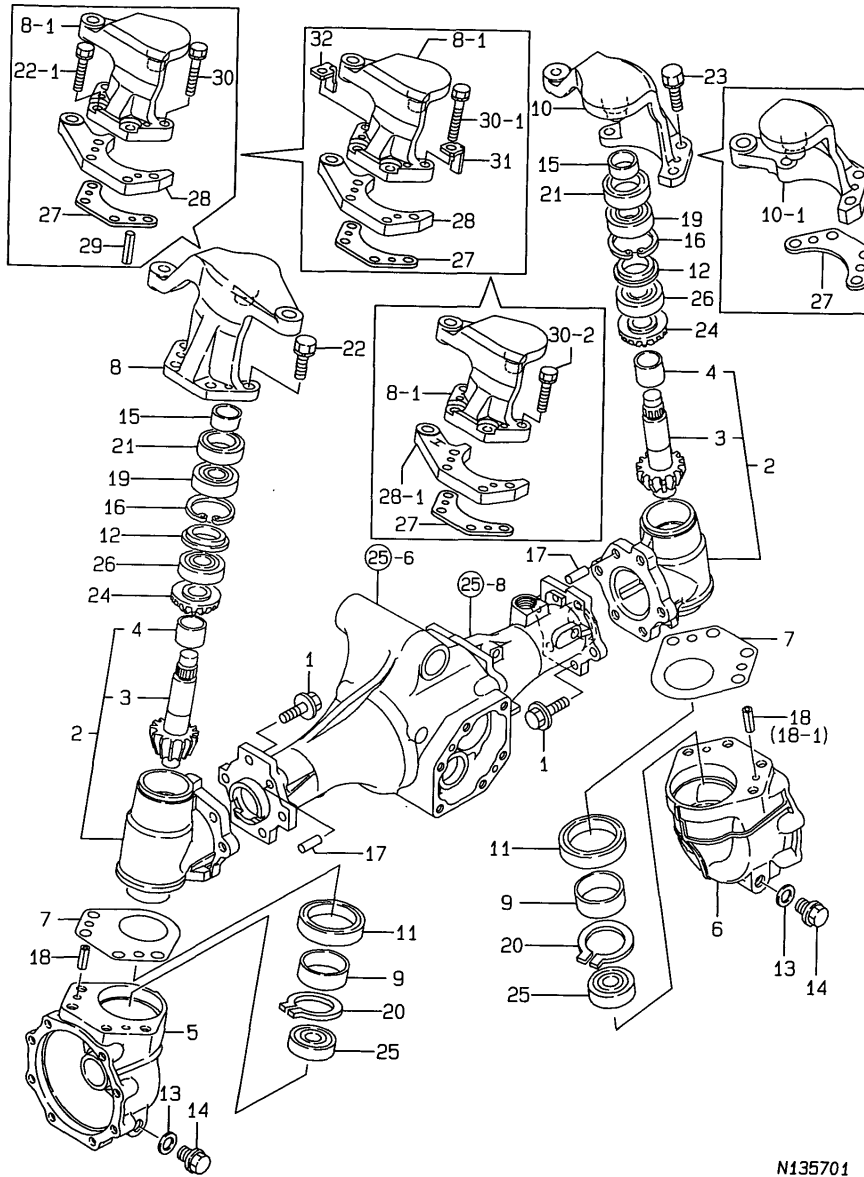
NPC-3932 26. FRONT GEAR CASE

(A)=KE-200H (D)=
(B)= (E)=
(C)= (F)=

REF.	LEV.	PARTS NO.	DESCRIPTION	QTY						I	R
				(A)	(B)	(C)	(D)	(E)	(F)		
1	1	198165-11350	BOLT M 10X 25	10							
2	1	198165-13700	CASE,SIDE GEAR KIT	2							
3	2	198165-13814	PINION, FINAL	2							
4	2	198165-13840	BUSHING 27*1.5	2							
4-1	2	198165-13841	BUSHING 27*1.5	2							N
(A=F130456)											
5	1	198165-13730	GEAR BOX L,FRONT	1							
6	1	198165-13740	GEAR BOX R,FRONT	1							
7	1	198165-13750	SHIM	2							
8	1	198165-13760	SUPPORT L,KING PIN	1							
8-1	1	1A6641-13760	KING PIN SUPPORT L	1							S
(A=F130301)											
9	1	194516-13770	SLEEVE SI455016	2							
10	1	198165-13770	SUPPORT R,KING PIN	1							
10-1	1	198164-13770	SUPPORT(R),KING PIN	1							S
(A=F130301)											
11	1	194516-13780	SEAL TC6Y 506812.5	2							
12	1	1D4110-13870	WASHER	2							
13	1	198165-24440	GASKET(20*12*2	2							
14	1	198165-24490	BOLT M 12X 12 PLATED	2							
15	1	1E6190-54080	SLEEVE SI25X30X13	2							
16	1	22252-000470	CIRCLIP 47	2							
17	1	22312-100200	PARALLEL PIN 10X20	2							
18	1	22351-080020	SPRING PIN 8X20	4							
18-1	1	22351-080020	SPRING PIN 8X20	2							K
(A=F130301)											
19	1	24104-062044	BALL BEARING	2							
20	1	24164-000452	CIRCLIP, NEEDLE	2							
21	1	24421-304708	SEAL TC30 47 08, OIL	2							
22	1	26013-100302	BOLT M10X 30	4							
22-1	1	26013-100452	BOLT M10X 45	2							S
(A=F130301)											
23	1	26013-100352	BOLT M10X 35	4							
24	1	198165-13531	GEAR 16T, FRONT	2							
25	1	194670-25370	BALL BEARING	2							
25-1	1	1A6780-13910	BEARING 6303 RSH2	2							S
(A=F130301)											
26	1	24104-063034	BALL BEARING	2							
27	1	1A6641-13780	SPACER	2							W
(A=F130301)											
28	1	198164-13780	ARM,TIE ROD	1							W
(A=F130301)											
28-1	1	1A6641-13830	ARM, TIE ROD	1							S 1
(A=F130436)											
29	1	22351-080045	SPRING PIN 8X45	2							W
(A=F130301)											
30	1	26013-100502	BOLT M10X 50	2							W
(A=F130301)											
30-1	1	26013-100552	BOLT M10X 55	2							S
(A=F130355)											
30-2	1	26013-100502	BOLT M10X 50	2							S
(A=F130436)											
31	1	1A6641-13800	STOPPER	1							W
(A=F130355)											

++ CONTINUE ++

26. FRONT GEAR CASE



N135701

NPC-3932 26. FRONT GEAR CASE

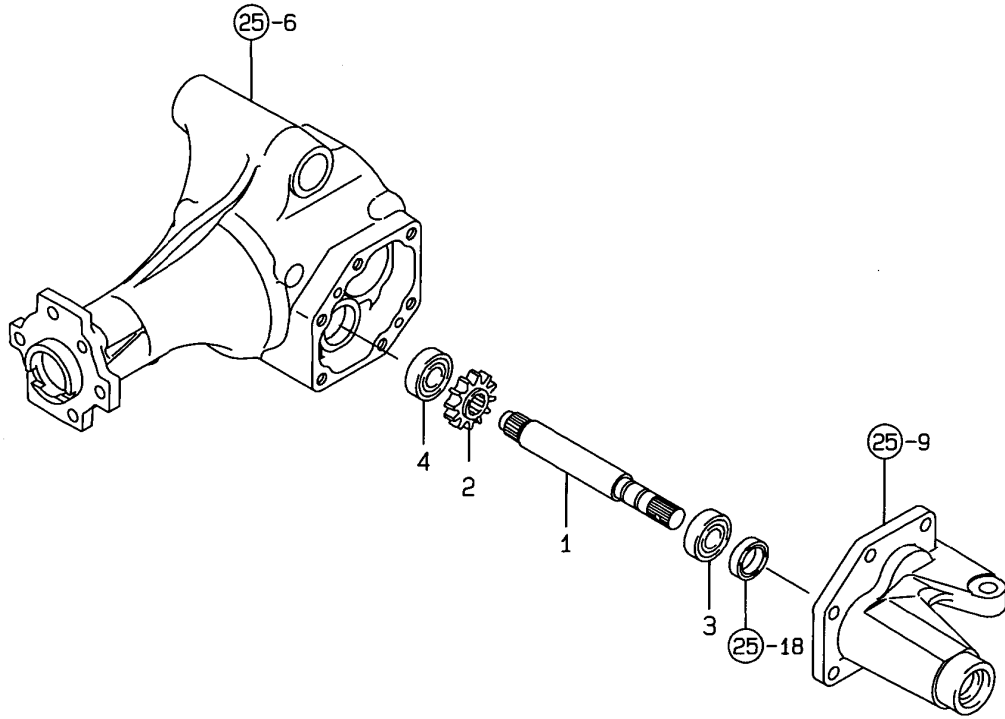
(A)=KE-200H (D)=
 (B)= (E)=
 (C)= (F)=

REF.	LEV.	PARTS NO.	DESCRIPTION	QTY						I	R
				(A)	(B)	(C)	(D)	(E)	(F)		
31-1	1	1A6641-13800 (A=F130436)	STOPPER	1							Z
32	1	1A6641-13810 (A=F130355)	STOPPER	1							W
32-1	1	1A6641-13810 (A=F130436)	STOPPER	1							Z

Remarks
 (1)REF NO.47-1 MARK H TO DISTINGUISH

27. INPUT SHAFT

(A)=KE-200H (D)=
 (B)= (E)=
 (C)= (F)=

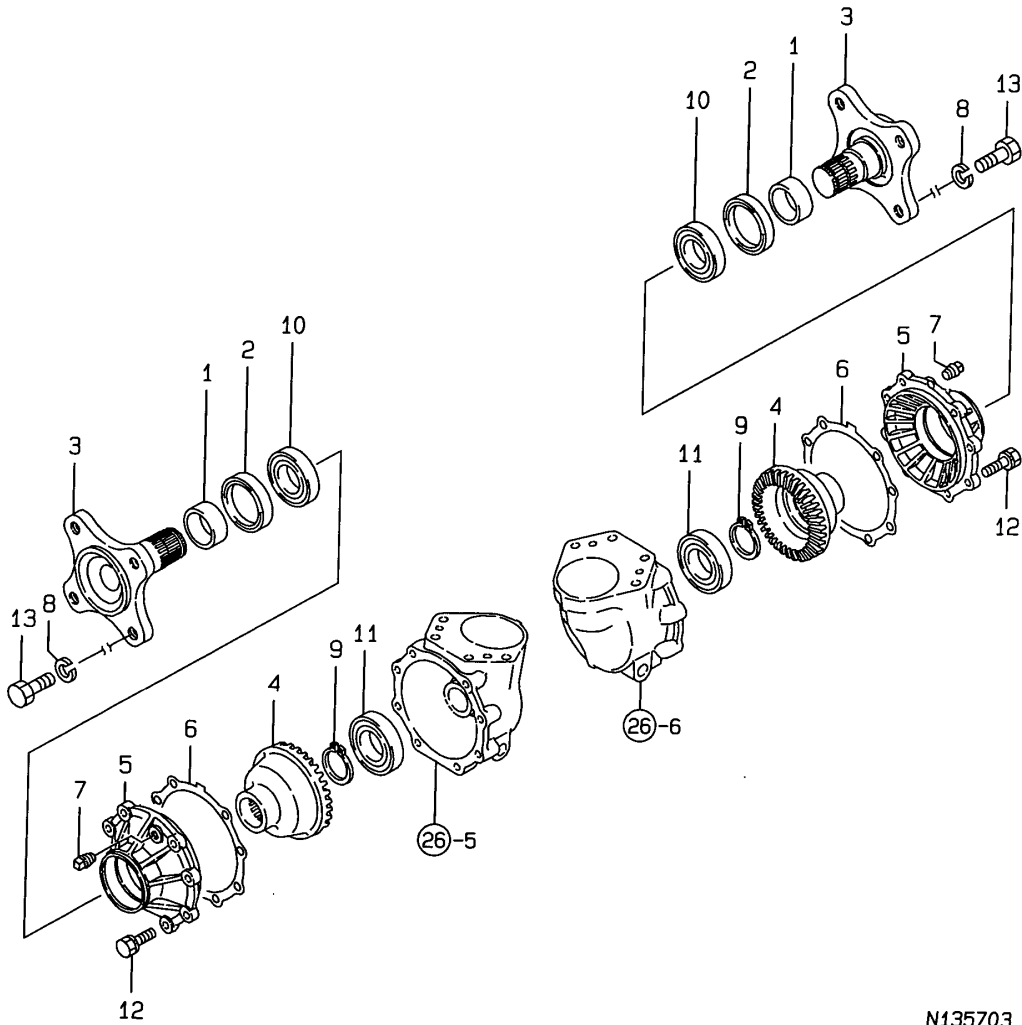


N135702

REF.	LEV.	PARTS NO.	DESCRIPTION	QTY						I	R	
				(A)	(B)	(C)	(D)	(E)	(F)			
1	1	198165-13910	SHAFT,INPUT FRONT	1								
2	1	198165-13920	GEAR ,21T FRONT	1								
3	1	24101-060034	BALL BEARING	1								
4	1	24101-062024	BALL BEARING	1								

28. FRONT SPINDLE

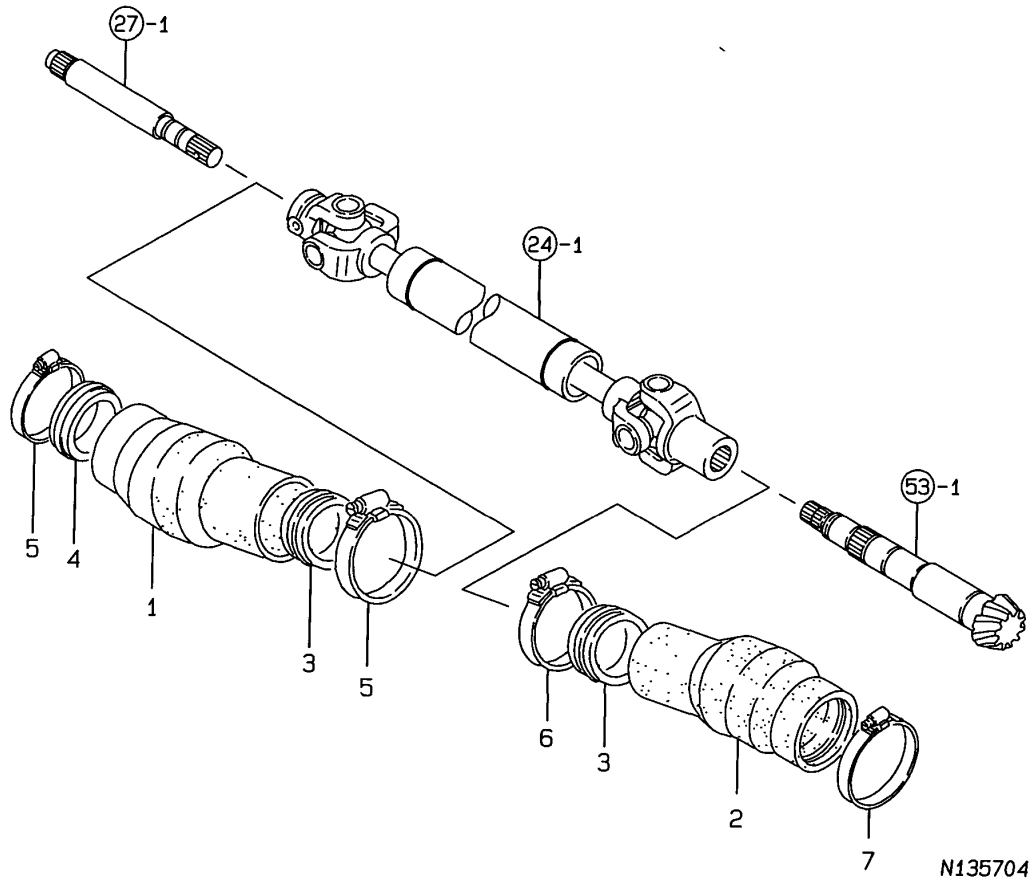
(A)=KE-200H (D)=
 (B)= (E)=
 (C)= (F)=



N135703

REF.	LEV.	PARTS NO.	DESCRIPTION	QTY						I	R
				(A)	(B)	(C)	(D)	(E)	(F)		
1	1	194314-11880	SLEEVE 40X45X18	2							
2	1	194314-12720	SEAL TC6Y 45 62 14	2							
3	1	198421-14110	SPINDLE,FRONT	2							
4	1	198165-14120	FINAL GEAR, FRONT	2							
5	1	198165-14130	BEARING CASE,FRONT	2							
6	1	198165-14140	PACKING,BEARING CASE	2							
7	1	194151-36670	PLUG PT02	2							
8	1	22217-140000	SPRING WASHER 14	8							
9	1	22242-000350	CIRCLIP 35	2							
10	1	24101-060084	BALL BEARING	2							
11	1	24101-062074	BALL BEARING	2							
12	1	26016-080252	BOLT M 8X 25	16							
13	1	26086-140252	BOLT 14* 25	8							

29. SHAFT COVER



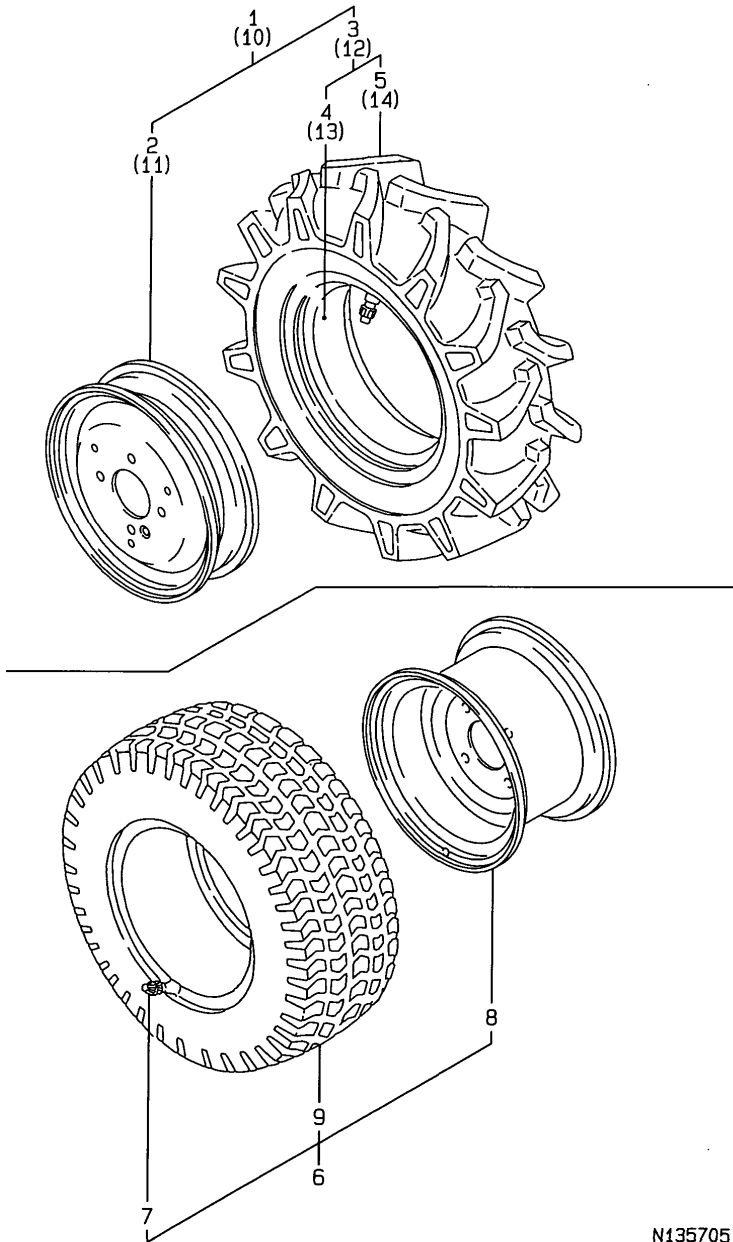
NPC-3932 29. SHAFT COVER

(A)=KE-200H (D)=
 (B)= (E)=
 (C)= (F)=

REF.	LEV.	PARTS NO.	DESCRIPTION	QTY						I	R
				(A)	(B)	(C)	(D)	(E)	(F)		
1	1	198165-14620	BOOT, RUBBER	1							
2	1	198167-14620	BOOT, RUBBER	1							
3	1	198165-14630	COLLAR, RUBBER BOOT	2							
4	1	198421-14630	COLLAR, RUBBER BOOT	1							
5	1	23000-070000	CLAMP 70	2							
6	1	23000-070000	CLAMP 70	1							
7	1	23000-080000	CLAMP 80	1							

30. FRONT WHEEL TIRE

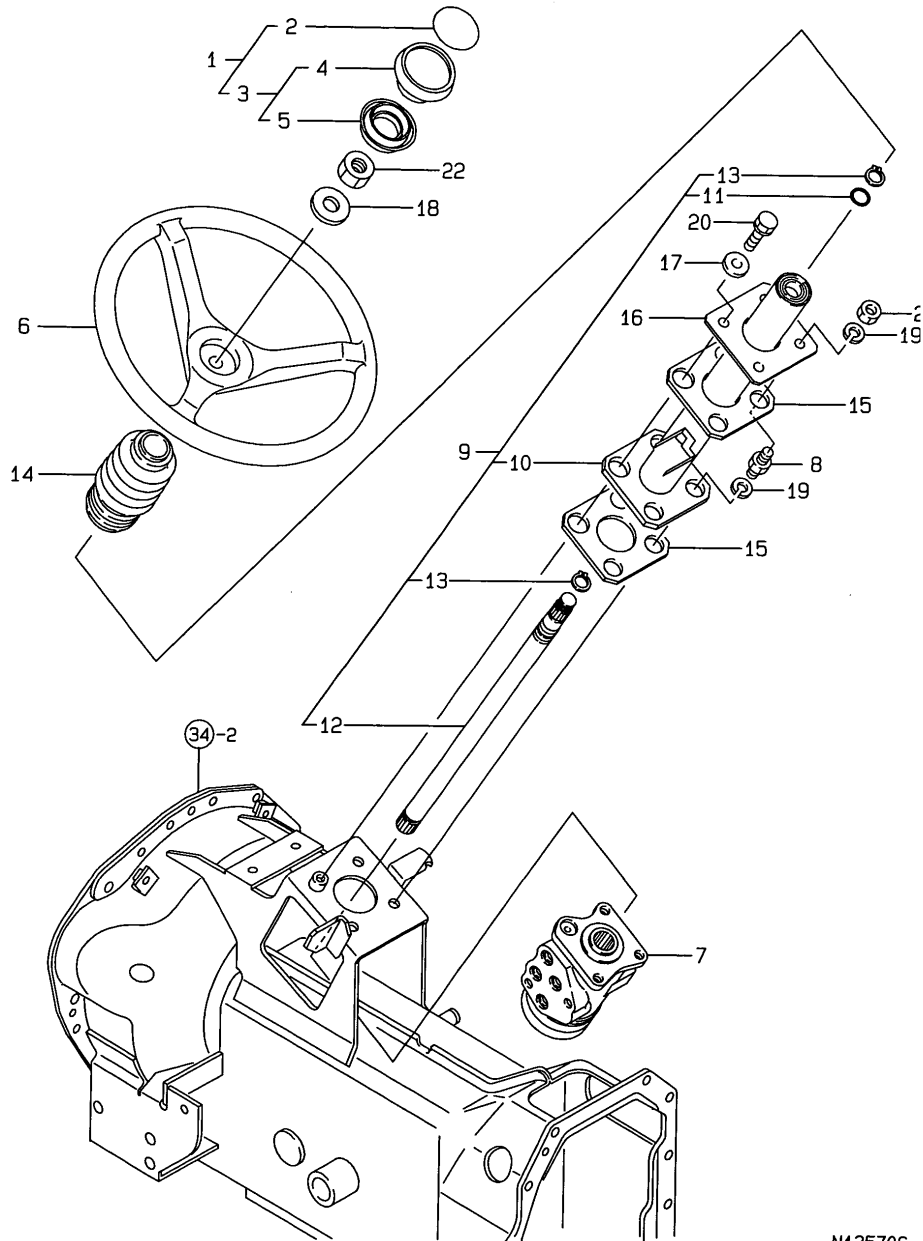
(A)=KE-200H (D)=
 (B)= (E)=
 (C)= (F)=



REF.	LEV.	PARTS NO.	DESCRIPTION	QTY						I	R
				(A)	(B)	(C)	(D)	(E)	(F)		
1	1	1A6640-14710	TIRE L KIT,FRONT WH.	1							
2	2	1A6640-14750	WHEEL DC3.00DX12	1							
3	2	198165-14860	TIRE, CMP 5.00-12	1							
4	3	198531-14750	TUBE	1							
5	3	198165-14870	TIRE 5.00-12	1							
6	1	1A6640-14730	TIRE KIT,FRONT	2							Z
		(A=F120101)									
7	2	194136-12880	VALVE TR413	2							Z
		(A=F120101)									
8	2	1A6640-14780	WHEEL 7JAX12WDC	2							Z
		(A=F120101)									
9	2	198165-14890	TIRE 23*8.50-12	2							Z
		(A=F120101)									
10	1	1A6640-14810	TIRE R KIT,FRONT	1							
11	2	1A6640-14750	WHEEL DC3.00DX12	1							
12	2	198165-14860	TIRE, CMP 5.00-12	1							
13	3	198531-14750	TUBE	1							
14	3	198165-14870	TIRE 5.00-12	1							

N135705

31. STEERING & PST



N135706

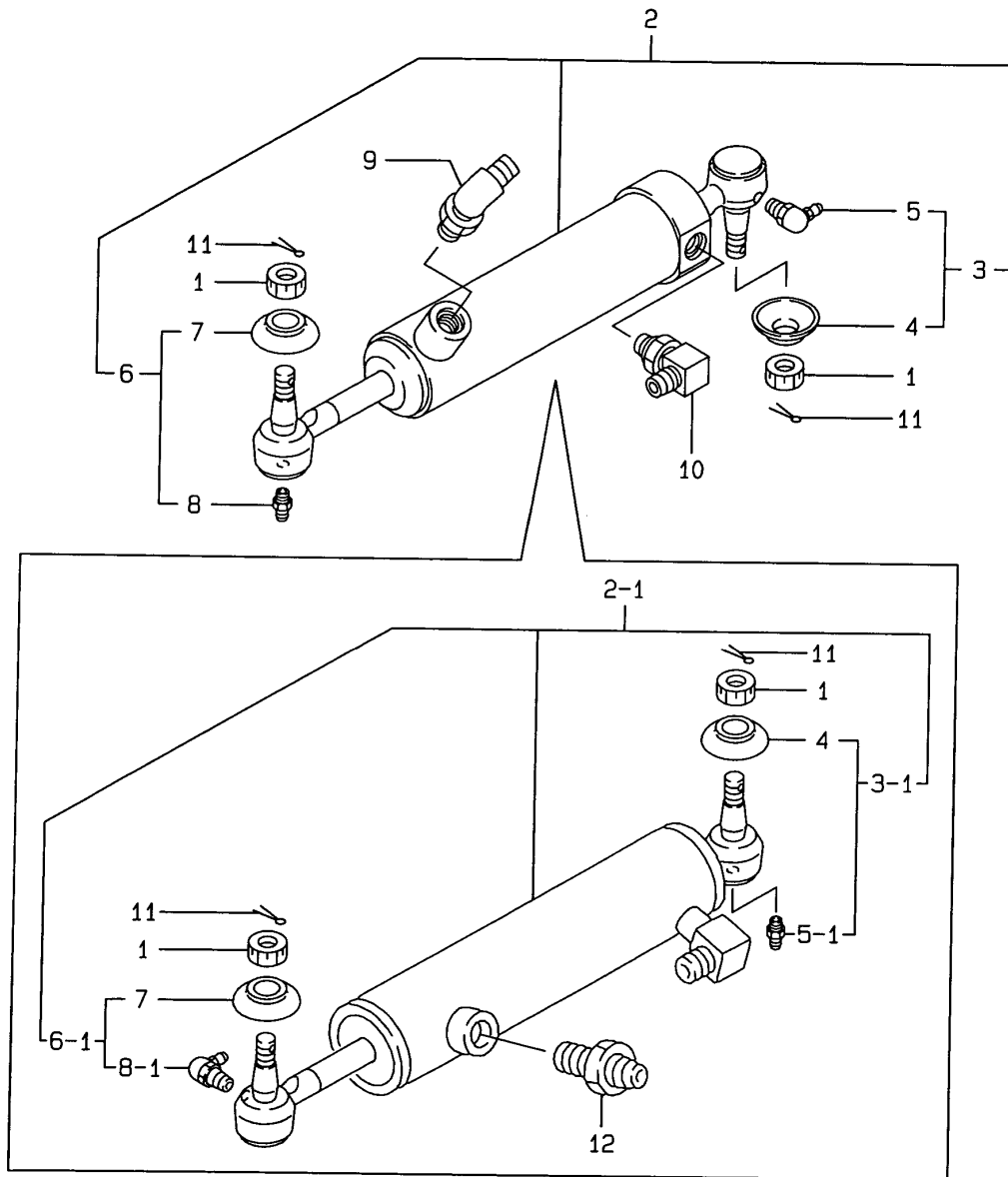
NPC-3932 31. STEERING & PST

(A)=KE-200H (D)=
 (B)= (E)=
 (C)= (F)=

REF.	LEV.	PARTS NO.	DESCRIPTION	QTY						I	R
				(A)	(B)	(C)	(D)	(E)	(F)		
1	1	198164-15750	CAP KIT,S WHEEL	1							
2	2	198164-15780	MARK,STEERING	1							
3	2	198164-15790	CAP CMP.,S WHEEL	1							
4	3	198164-15760	CAP S WHEEL	1							
5	3	198164-15770		1							
6	1	1C1100-21010	WHEEL, STEERING	1							
7	1	198167-17300	VALVE H, P.STEERING	1							
8	1	198165-17310	BOLT M 10, ST COLUM	3							
9	1	198165-17411	COLUMN SET	1							
10	2	198165-17421	COLUMN,CMP P.S.T	1							
11	2	198164-17450	PACKING	1							
12	2	198165-17461	SHAFT, STEERING	1							
13	2	22242-000200	CIRCLIP 20	2							
14	1	198165-17470	BOOT, STEERING	1							
15	1	198165-17481	RUBBER, ST COLUMN	2							
16	1	198165-17501	PLATE, ST COLUMN	1							
16-1	1	198164-17500	PLATE, ST COLUMN	1							N
(A=F130402)											
17	1	22137-100000	WASHER 10,POLISHED	1							
18	1	22137-160000	WASHER 16,POLISHED	1							
19	1	22217-100000	SPRING WASHER 10	6							
20	1	26016-100162	BOLT M10X 16	1							
21	1	26736-100002	NUT M10	3							
22	1	26776-160002	LOCK NUT M16 PLATED	1							

32. PST CYLINDER

(A)=KE-200H (D)=
 (B)= (E)=
 (C)= (F)=

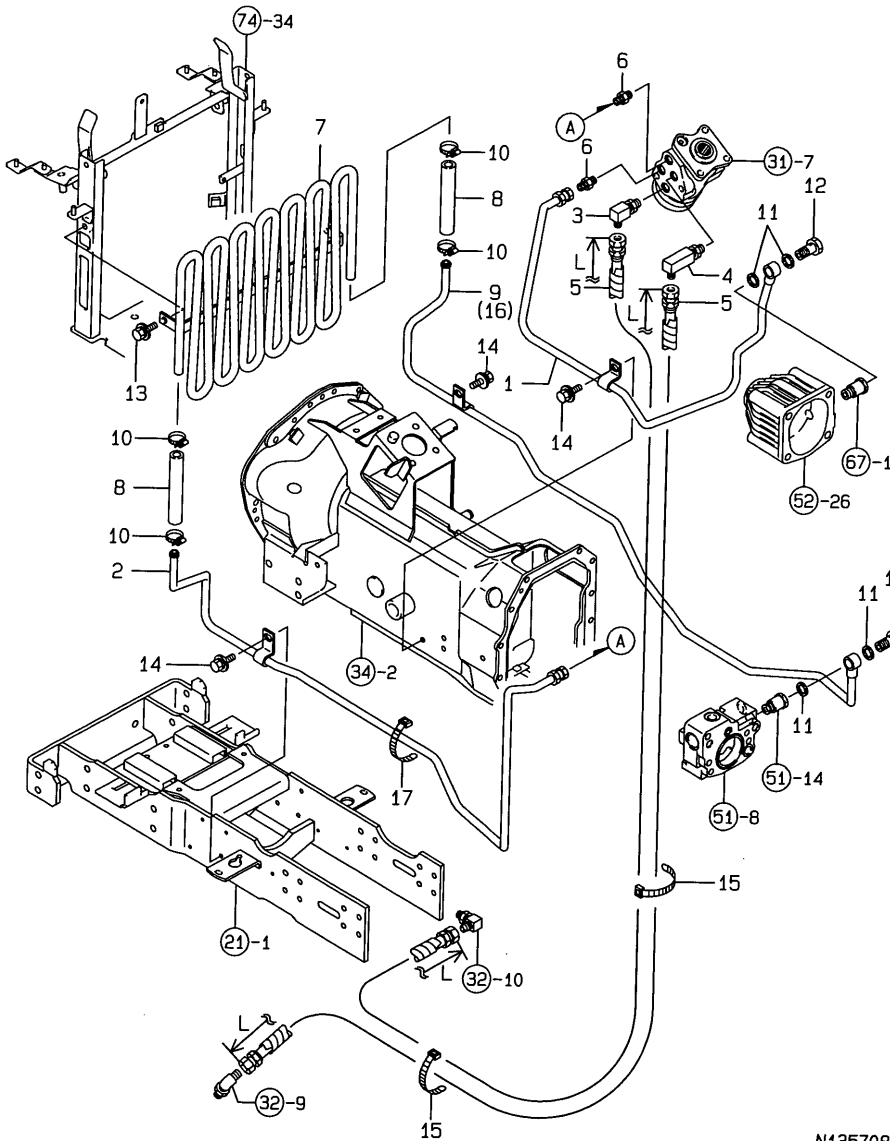


N135707

REF.	LEV.	PARTS NO.	DESCRIPTION	QTY						I	R
				(A)	(B)	(C)	(D)	(E)	(F)		
1	1	194215-12341	NUT		2						
1-1	1	194215-12340	NUT M10		2						R
		(A=F130456)									
2	1	198165-17540	CYLINDER, CMP P.S.T		1						
2-1	1	198164-17540	CYLINDER, PS		1						S
		(A=F130301)									
3	2	198165-12320	ROD END, A		1						
3-1	2	198165-12420	ROD END, C		1						S
		(A=F130301)									
4	3	194300-13340	COVER,DUST		1						
5	3	198435-16230	GREASE FITTING		1						
5-1	3	24761-060000	NIPPLE MT6X1, GREASE		1						S
		(A=F130301)									
6	2	198165-12420	ROD END, C		1						
6-1	2	198164-17560	ROD END		1						S
		(A=F130301)									
7	3	194300-13340	COVER,DUST		1						
8	3	24761-060000	NIPPLE MT6X1, GREASE		1						
8-1	3	198435-16230	GREASE FITTING		1						S
		(A=F130301)									
9	1	198165-17711	ELBO, 45		1						Z
		(A=F130301)									
10	1	198165-17781	ELBO, 1/4X1/4		1						Z
		(A=F130301)									
11	1	22417-250250	COTTER PIN 2.5X25		2						
12	1	172520-76210	FITTING 1/4		1						W
		(A=F130301)									

33. PST PIPING

(A)=KE-200H (D)=
 (B)= (E)=
 (C)= (F)=



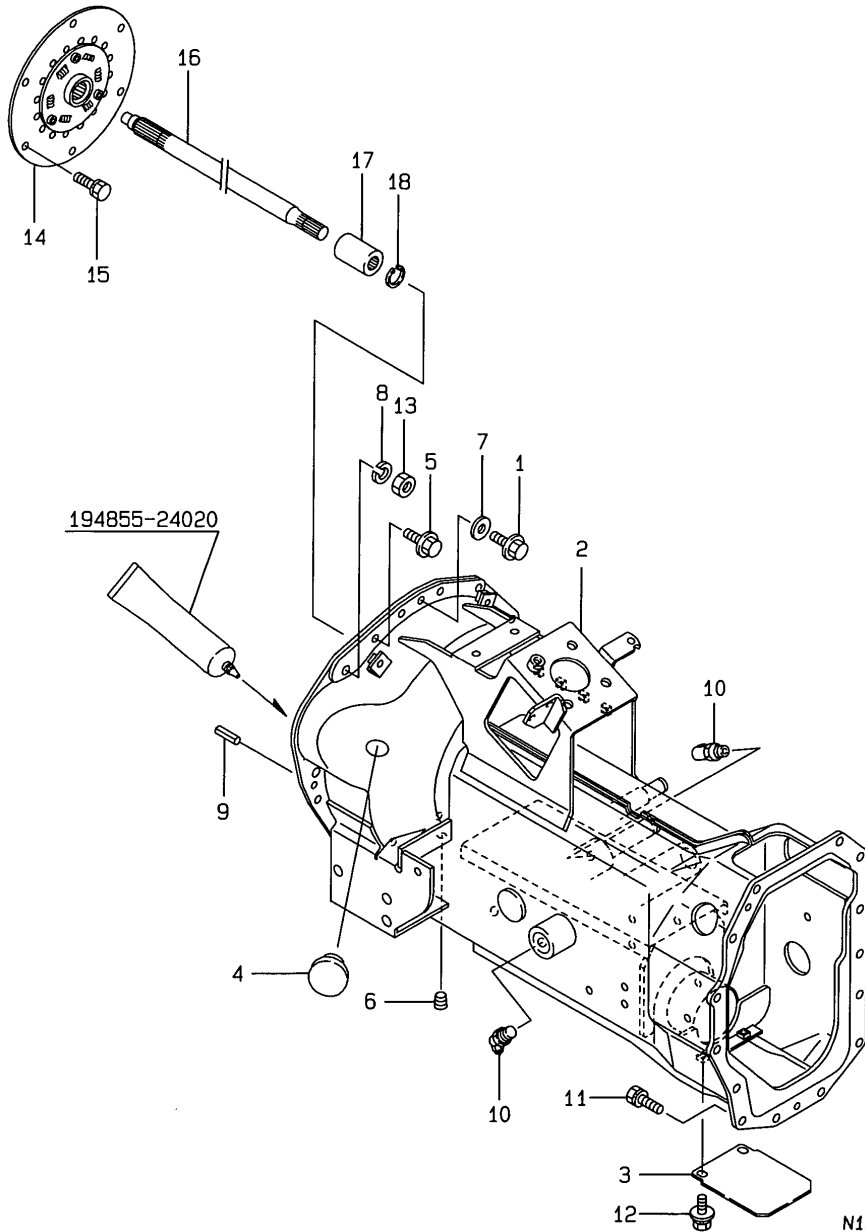
N135708

REF.	LEV.	PARTS NO.	DESCRIPTION	QTY						I	R
				(A)	(B)	(C)	(D)	(E)	(F)		
1	1	198167-17660	PIPE,HI-PRESSURE P.S	1							
2	1	198167-17670	PIPE,OUT LET P.S.T	1							
3	1	198165-17731	ELBO, 1/4X9/16	1							
4	1	198165-17741	ELBO L, 1/4X9/16	1							
5	1	198165-17751	HOSE HYD C, P.S.T	2							
5-1	1	1A6641-17750	HOSE HYD C, P.S.T	2							S 1
(A=F130301)											
6	1	198165-17790	CONNECTOR	2							
7	1	198167-29950	CULLAR, OIL	1							
8	1	198167-29970	DRAIN HOSE, OIL CULL	2							
9	1	198167-29980	PIPE, DRAIN	1							Z
(A=F110001)											
10	1	23000-022000	CLAMP 22	4							
11	1	23414-160021	GASKET 16	4							
12	1	23857-100000	JOINT BOLT 10	2							
13	1	26018-080202	BOLT M 8X 20	2							
14	1	26018-080202	BOLT M 8X 20	3							
15	1	29622-140001	BAND 140	6							
16	1	1A6640-29980	PIPE, DRAIN	1							W
(A=F110001)											
17	1	29622-140001	BAND 140	1							W
(A=F130301)											

Remarks
 (1)L= REF NO.5 600M/M, 5-1 990M/M

34. CLUTCH HOUSING

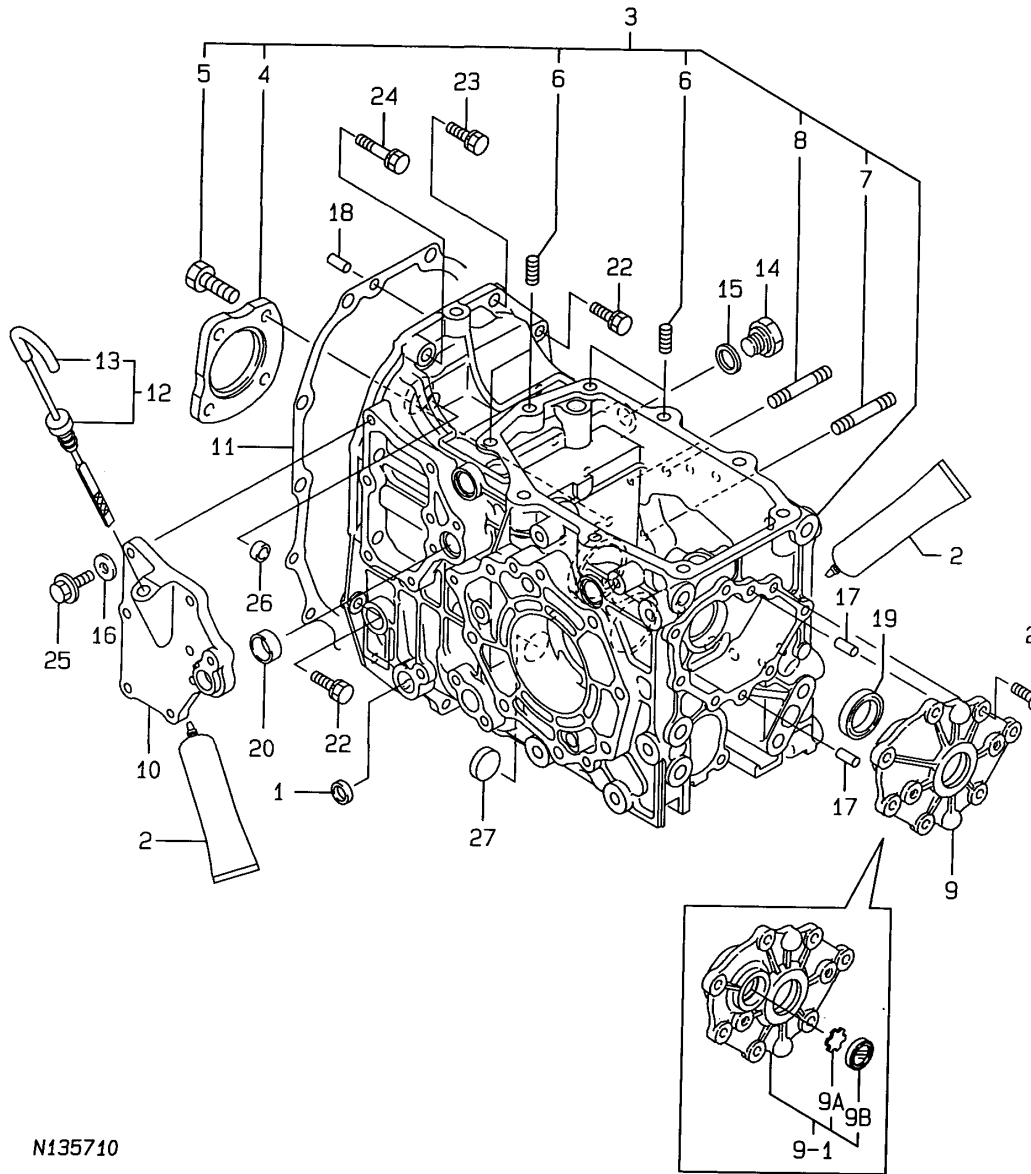
(A)=KE-200H (D)=
 (B)= (E)=
 (C)= (F)=



N135709

REF.	LEV.	PARTS NO.	DESCRIPTION	QTY						I	R
				(A)	(B)	(C)	(D)	(E)	(F)		
1	1	198165-13650	BOLT M 8X 16 PLATED		3						
2	1	1A6640-21100	HOUSING COMP.,CLUTCH		1						
3	1	198167-21210	COVER(C/H)		1						
4	1	194300-21460	CAP		2						
5	1	198165-21490	BOLT M 8X 20 PLATED		9						
6	1	194151-36670	PLUG PT02		1						
7	1	22137-080000	WASHER 8, POLISHED		3						
8	1	22217-100000	SPRING WASHER 10		2						
9	1	22351-080016	SPRING PIN 8X16		2						
10	1	24761-040000	NIPPLE B,GREASE		1						
11	1	26016-080202	BOLT M 8X 20		14						
12	1	26018-080162	BOLT M 8X 16		2						
13	1	26716-100002	NUT 10		2						
14	1	198167-21410	DISC ,DANPER		1						
15	1	26013-080162	BOLT W/WASHER M8X16		6						
16	1	198167-22110	SHAFT,MAIN DRIVE		1						
17	1	194300-25100	COUPLING		1						
18	1	22252-000150	CIRCLIP 15		1						

35. TRANSMISSION CASE



N135710

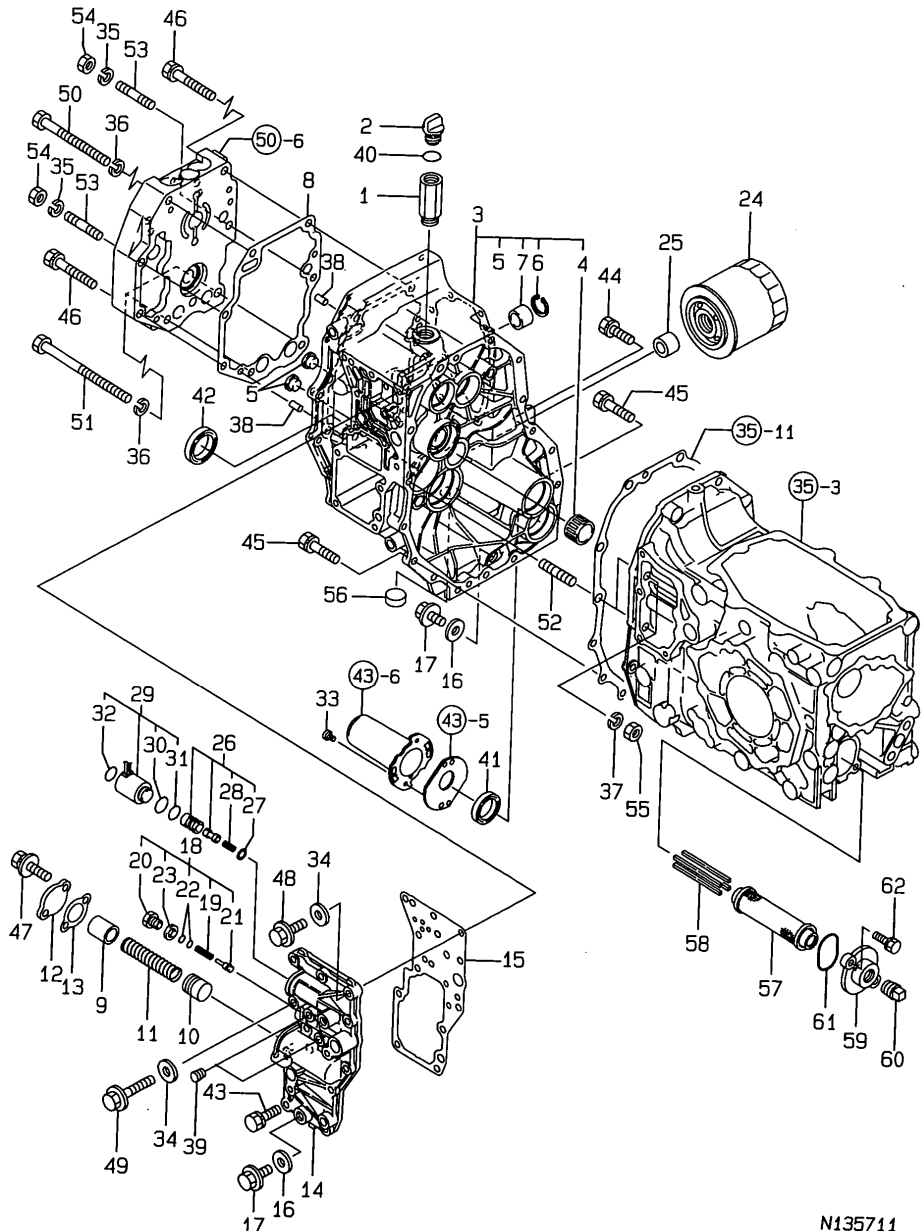
NPC-3932 35. TRANSMISSION CASE

(A)=KE-200H (D)=
 (B)= (E)=
 (C)= (F)=

REF.	LEV.	PARTS NO.	DESCRIPTION	QTY						I	R
				(A)	(B)	(C)	(D)	(E)	(F)		
1	1	194197-21170	PLUG 17,BORE	1							
2	1	194855-24020	SEALANT	1							
3	1	1A6640-24100	CASE,TRANSMISSION	1							
4	2	198165-25851	HOLDER,BEARING	1							
5	2	198165-25870	BOLT 10* 20	4							
6	2	26216-100252	STUD M10X 25 PLATED	4							
7	2	26216-100602	STUD M10X 60 PLATED	1							
8	2	26226-080602	STUD 8X60	1							
9	1	198165-24120	REAR COVER,T.MISSION	1							
9-1	1	1A6680-24110	REAR COVER CMP	1							S
		(A=F130496)									
9A	2	198071-24350	PLATE,OL.INS.P.WINDOW	1							W
		(A=F130496)									
9B	2	1A1040-28470	WINDOW 25,OIL CHECK	1							W
		(A=F130496)									
10	1	198167-24150	PLATE, SIDE	1							
11	1	198165-24160	PACKING,MISSION CASE	1							
12	1	198167-24960	GAUGE,CMP OIL LEVEL	1							
13	2	194850-24990	TUBE	1							
14	1	194312-46750	PLUG PF3/8	1							
15	1	194555-77910	GASKET	1							
16	1	22190-080000	SEAL WASHER 8(BOLT)	6							
17	1	22312-080160	PARALLEL PIN 8X 16	2							
18	1	22312-080160	PARALLEL PIN 8X 16	2							
19	1	24421-284008	SEAL TC28 40 08, OIL	1							
20	1	24550-020100	BUSH	1							
21	1	26016-080252	BOLT M 8X 25	7							
22	1	26016-080302	BOLT M 8X 30	2							
23	1	26016-100302	BOLT M10X 30	1							
24	1	26016-100452	BOLT M10X 45	1							
25	1	26106-080252	BOLT M 8X 25 PLATED	6							
26	1	27260-150000	PLUG 15,BORE	1							
27	1	27260-260000	PLUG 26,BORE	1							

36. CENTER PLATE

(A)=KE-200H (D)=
(B)= (E)=
(C)= (F)=



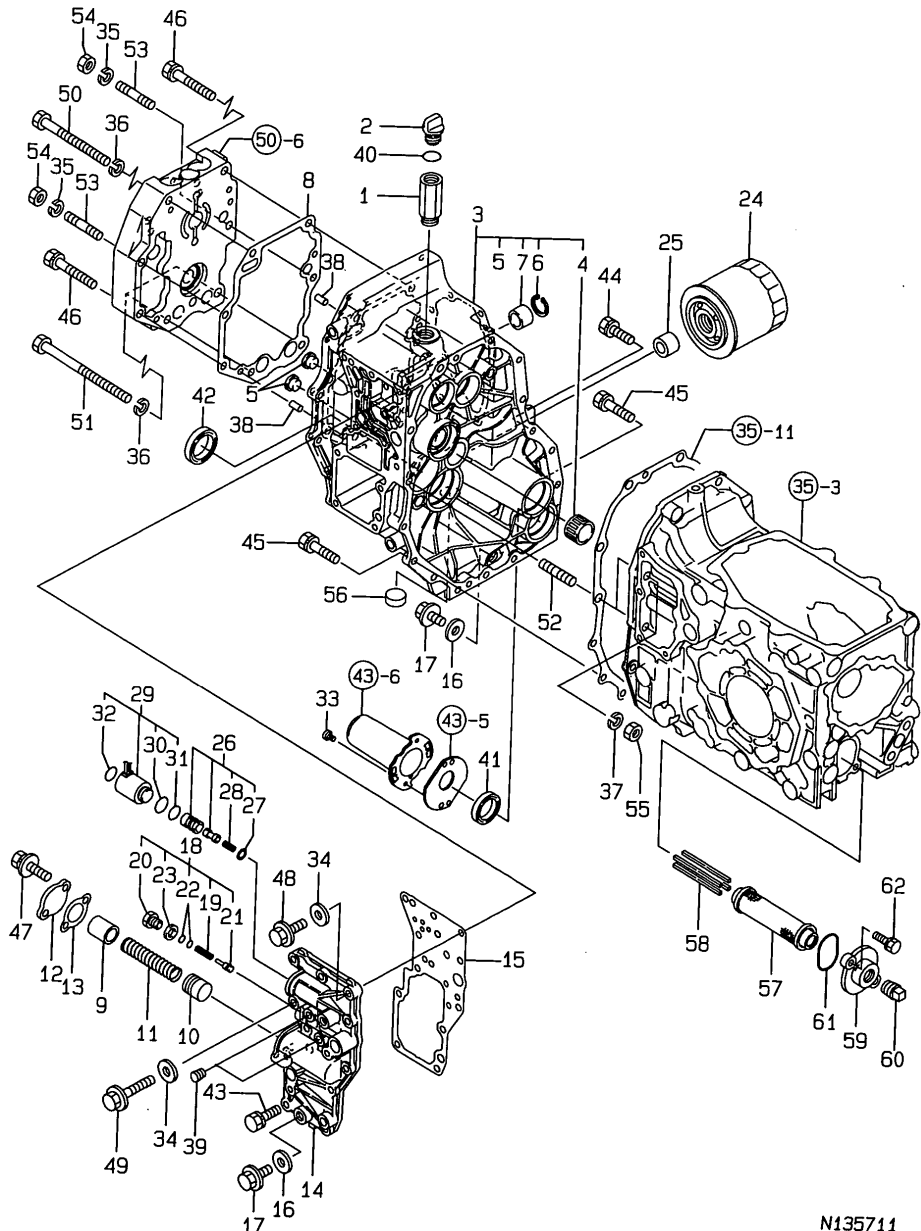
N135711

REF.	LEV.	PARTS NO.	DESCRIPTION	QTY						I	R
				(A)	(B)	(C)	(D)	(E)	(F)		
1	1	195450-13140	PIPE L,LUB.OIL	1							
2	1	194855-24290	CAP M20, OIL	1							
3	1	198167-24300	HOUSING,CMP CENTER	1							
4	2	198167-24390	NEEDLE BEARING,2516	1							
5	2	192157-24801	STRAINER	2							
6	2	24165-000322	CIRCLIP 32	1							
7	2	24550-028200	BUSH 28X20	1							
8	1	198167-24330	PACKING, C.HOUSING	1							
9	1	198167-24340	COLLAR A, ACC	1							
10	1	198167-24350	PISTON, ACC	1							
11	1	198167-24360	SPRING, ACC	1							
12	1	198167-24370	COVER, ACC	1							
13	1	198167-24380	PACKING, COVER ACC	1							
14	1	198167-24400	COVER L, SIDE	1							
15	1	198167-24410	PACKING,SIDE COVER L	1							
16	1	198165-24440	GASKET(20*12*2	2							
17	1	198165-24490	BOLT M 12X 12 PLATED	2							
17-1	1	26136-120202	BOLT 12X40,COLLAR HD	2							N
(A=F130402)											
18	1	198167-24500	RELIEF, KIT PTO	1							
19	2	192157-24760	SPRING PTO	1							
20	2	192157-24770	PLUG,PTO	1							
21	2	192157-24780	VALVE,RELIEF	1							
22	2	1E6217-56160	SHIM 0.5	2							
23	2	23414-120016	GASKET 12	1							
24	1	192157-24950	OIL FILTER	1							
24-1	1	198167-24900	FILTER	1							N
(A=F120101)											
25	1	198167-24950	JOINT	1							
26	1	192157-26610	VALVE CMP(SOLENOID	1							
26-1	1	192157-26611	VALVE SOLENOID CMP	1							N
(A=F130496)											
27	2	192157-26600	SHIM WASHER	1							
28	2	192157-26640	SPRING,SOLENOID	1							
28-1	2	192157-26641	SPRING, SOLENOID	1							N
(A=F130496)											
29	1	192159-27700	SOLENOID ASSY	1							
30	2	192159-27780	GASKET,SOLENOID	1							
31	2	24311-000180	O-RING 1A P-18.0	1							
32	2	24341-000112	O-RING 1A S-11.2	1							
33	1	194250-32530	PIN, COVER HOOK	2							
34	1	22190-080000	SEAL WASHER 8(BOLT)	7							
35	1	22287-100000	WASHER 10	2							
36	1	22287-100000	WASHER 10	3							
37	1	22287-100000	WASHER 10	2							
38	1	22312-080160	PARALLEL PIN 8X 16	4							
39	1	23871-010000	PLUG PT1/8,SCREW	2							
40	1	24341-000180	O-RING 1A S-18.0	1							
41	1	24421-304208	SEAL TC30 42 08, OIL	1							
42	1	24421-304708	SEAL TC30 47 08, OIL	1							
43	1	26016-080302	BOLT M 8X 30	4							
44	1	26016-080302	BOLT M 8X 30	3							
45	1	26016-080402	BOLT M 8X 40	7							
46	1	26016-100602	BOLT	2							

++ CONTINUE ++

36. CENTER PLATE

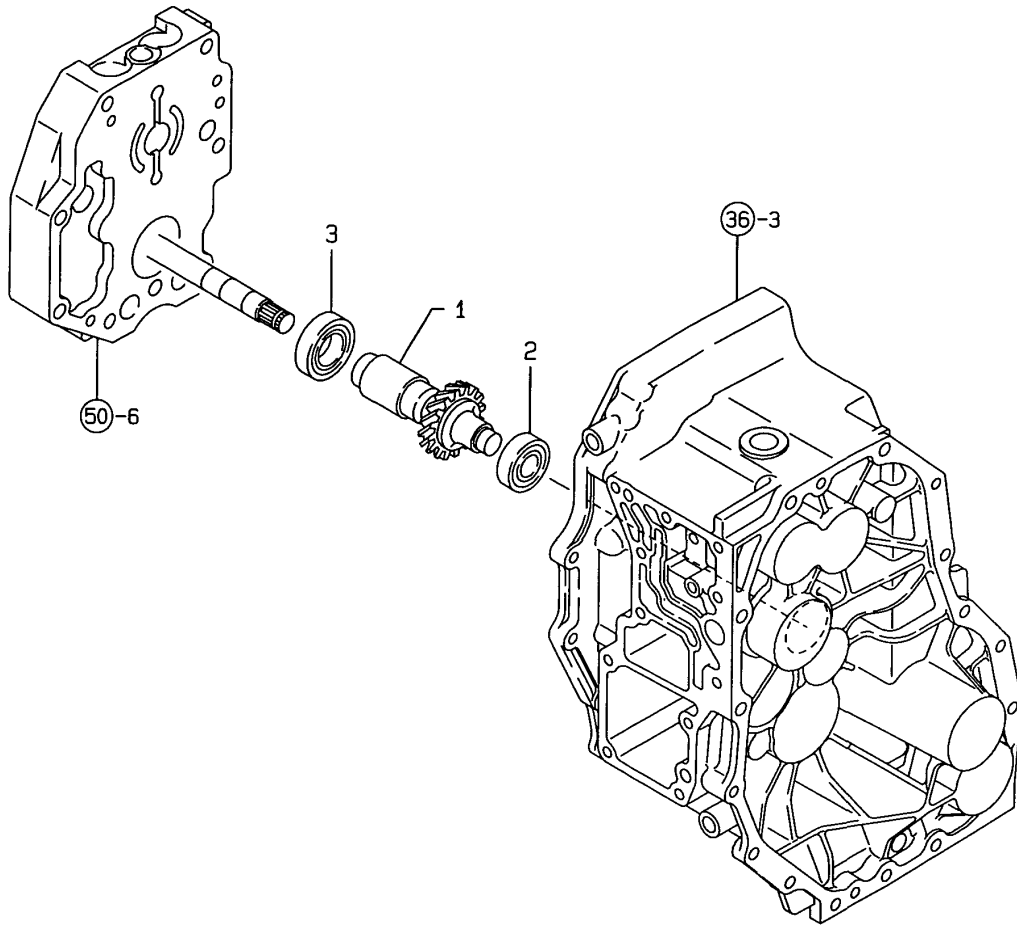
(A)=KE-200H (D)=
 (B)= (E)=
 (C)= (F)=



N135711

REF.	LEV.	PARTS NO.	DESCRIPTION	QTY						I	R
				(A)	(B)	(C)	(D)	(E)	(F)		
47	1	26018-080202	BOLT M 8X 20		2						
48	1	26106-080302	BOLT M 8X 30 PLATED		6						
49	1	26106-080552	BOLT M 8X 55 PLATED		1						
50	1	26116-101052	BOLT M10X105 PLATED		1						
51	1	26116-101402	BOLT M10X140 PLATED		2						
52	1	26216-100452	STUD M10X 45 PLATED		2						
53	1	26226-100552	STUD M10X 55 PLATED		2						
54	1	26716-100002	NUT 10		2						
55	1	26716-100002	NUT 10		2						
56	1	27260-260000	PLUG 26,BORE		1						
57	1	198421-24910	STRAINER,OIL		1						
58	1	198129-24930	MAGNET, FILTER		4						
59	1	194305-24970	COVER, OIL STRAINER		1						
60	1	194322-24980	PLUG 1/2-NPT		1						
61	1	24341-000500	O-RING 1A S-50.0		1						
62	1	26013-080202	BOLT W/WASHER M8X20		2						

37. INPUT SHAFT



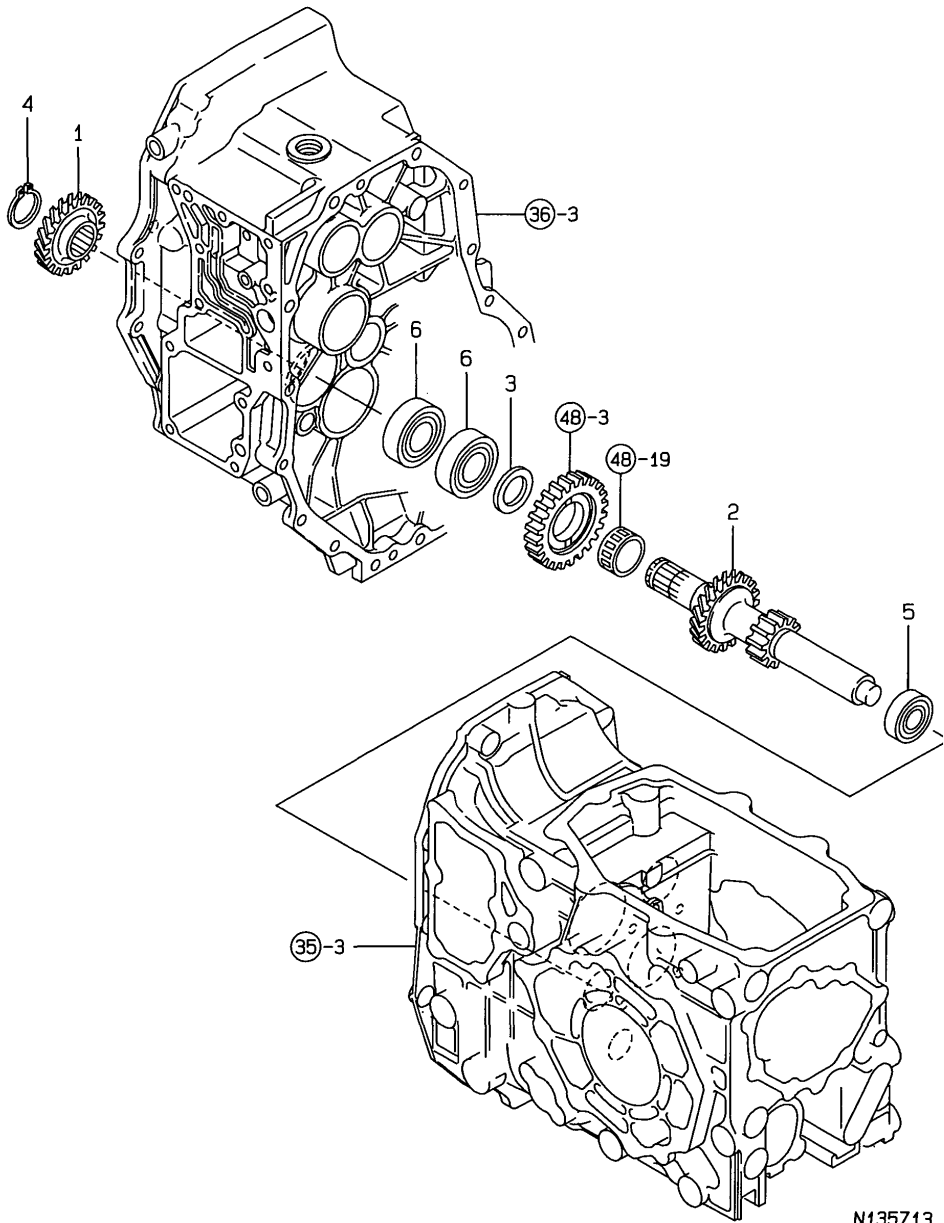
N135712

NPC-3932 37. INPUT SHAFT

(A)=KE-200H (D)=
 (B)= (E)=
 (C)= (F)=

REF.	LEV.	PARTS NO.	DESCRIPTION	QTY						I	R
				(A)	(B)	(C)	(D)	(E)	(F)		
1	1	198167-25100	SHAFT,CMP INPUT	1							
2	1	194305-25160	BALL BEARING	1							
3	1	24101-060054	BALL BEARING	1							

38. MAIN SHAFT



N135713

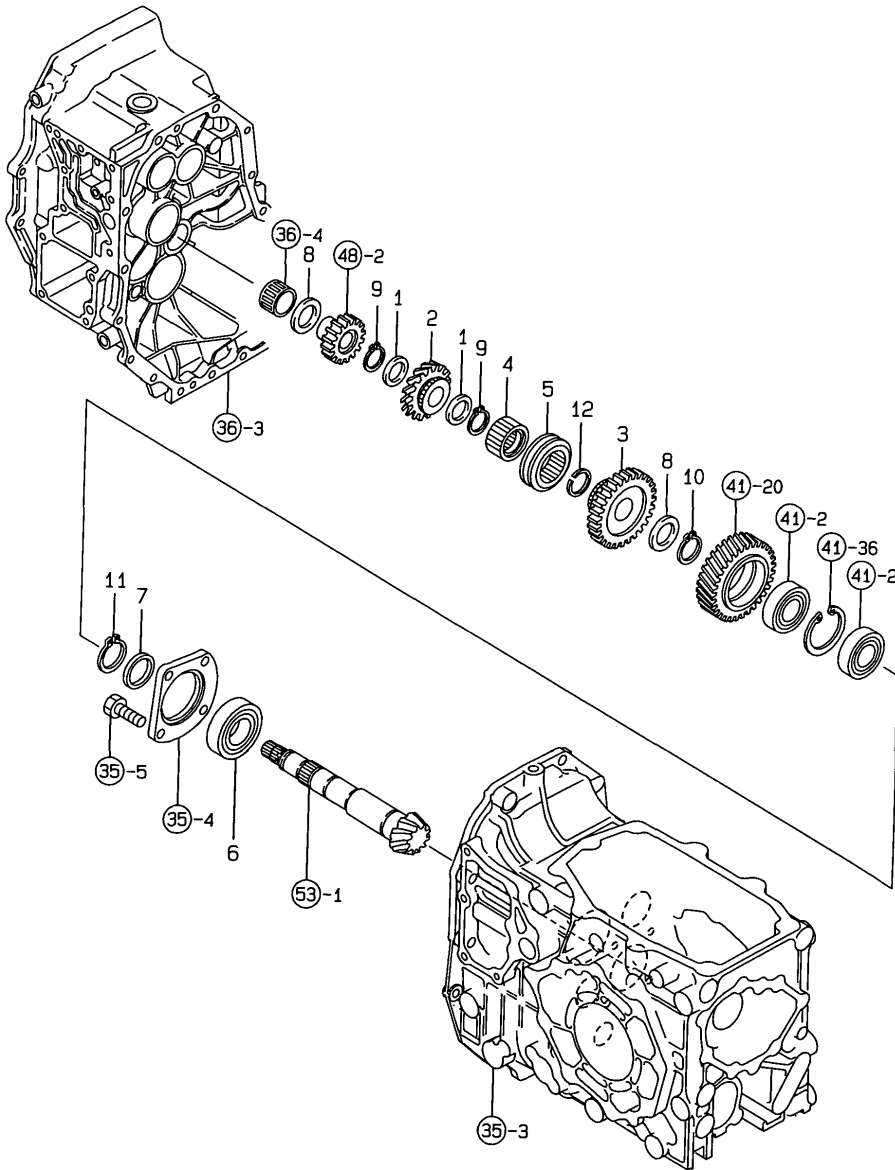
NPC-3932 38. MAIN SHAFT

(A)=KE-200H (D)=
 (B)= (E)=
 (C)= (F)=

REF.	LEV.	PARTS NO.	DESCRIPTION	QTY						I	R
				(A)	(B)	(C)	(D)	(E)	(F)		
1	1	198167-25170	GEAR 22, DRIVEN	1							
2	1	1A6640-25190	SHAFT,MAIN	1							
3	1	1E6190-54430	THRUST WASHER (C)	1							
4	1	22242-000250	CIRCLIP 25S	1							
5	1	24101-062034	BALL BEARING	1							
6	1	24104-062054	BALL BEARING	2							

39. COUNTER SHAFT

(A)=KE-200H (D)=
 (B)= (E)=
 (C)= (F)=

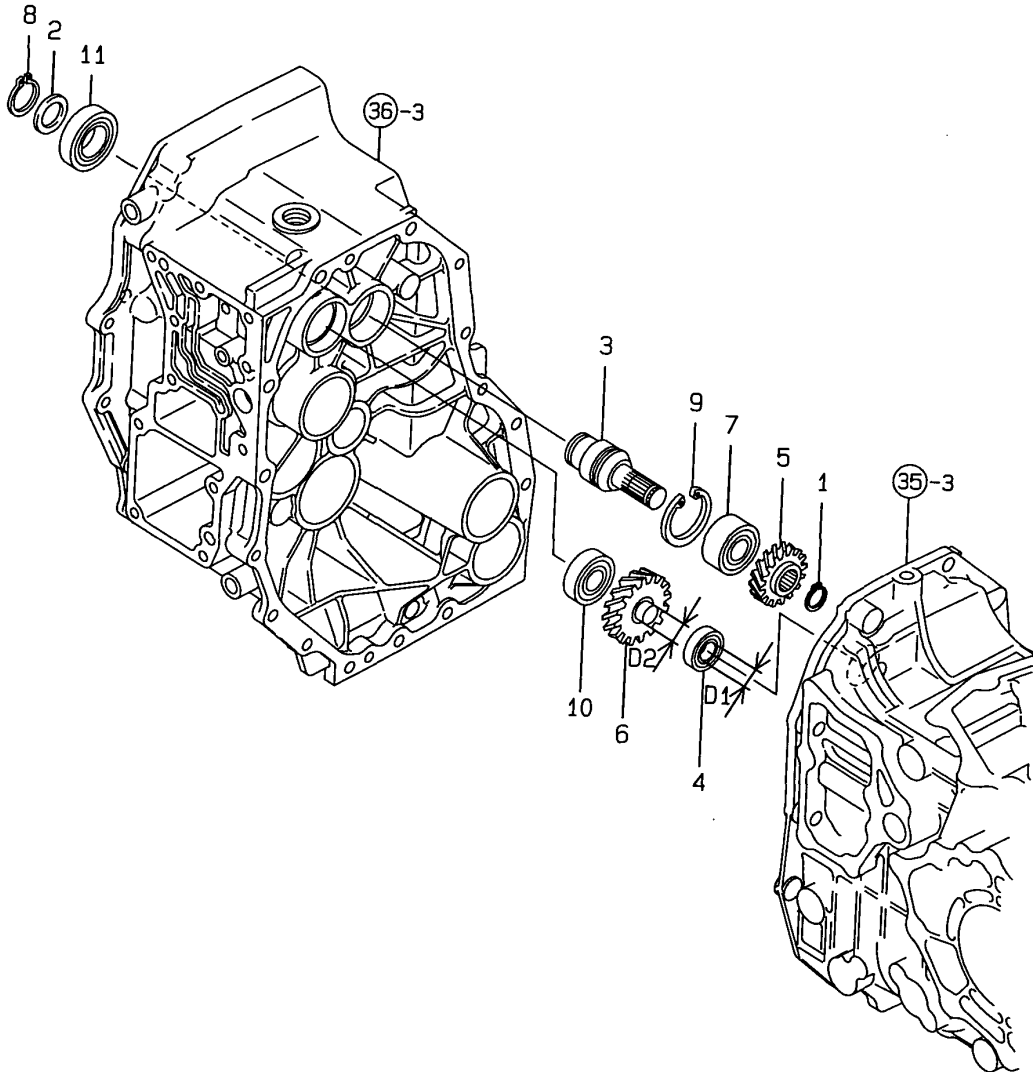


REF.	LEV.	PARTS NO.	DESCRIPTION	QTY						I	R
				(A)	(B)	(C)	(D)	(E)	(F)		
1	1	194856-25330	WASHER 22X32X2.5		2						
2	1	1A6640-25730	GEAR,COUNTER		1						
3	1	198167-25740	GEAR LOW, COUNTER		1						
4	1	198167-25750	SPLINE COLLAR, H/L		1						
5	1	198167-25770	COLLAR, SHIFT		1						
6	1	198165-25810	BEARING 6206RSH2		1						
7	1	198165-25840	COLLAR 30*38*4.5		1						
8	1	1E6190-54430	THRUST WASHER (C)		2						
9	1	1E6820-54560	CIRCLIP 22		2						
10	1	22242-000250	CIRCLIP 25S		1						
11	1	22242-000290	CIRCLIP 29		1						
12	1	22292-000240	CIRCLIP S-24		1						

N135714

40. PTO DRIVE SHAFT

(A)=KE-200H (D)=
 (B)= (E)=
 (C)= (F)=



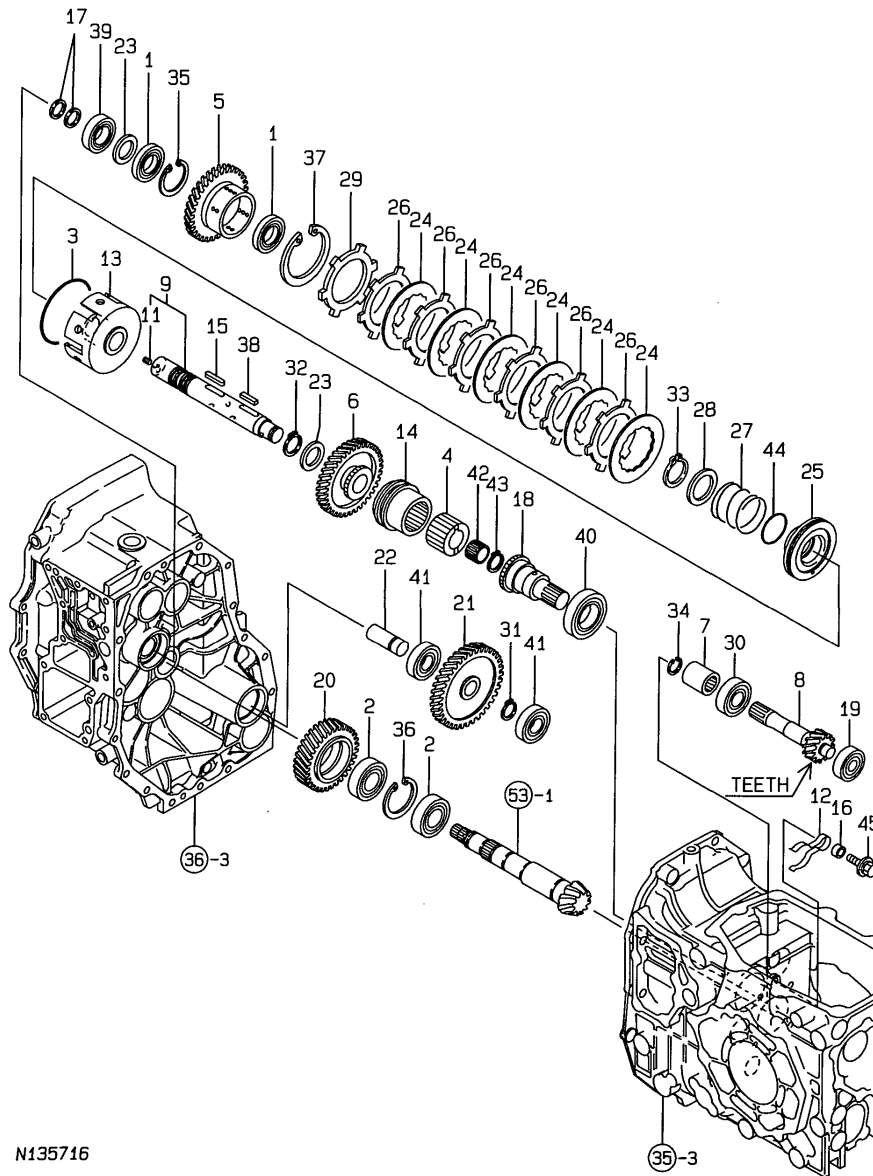
REF.	LEV.	PARTS NO.	DESCRIPTION	QTY						I	R
				(A)	(B)	(C)	(D)	(E)	(F)		
1	1	192167-25310	CIRCLIP,17	1							
2	1	194361-25681	SPACER	1							
2-1	1	198220-25130	SPACER 25*35*2	1							R
(A=F130456)											
3	1	198167-26050	SHAFT I/P,CMP PTO	1							
4	1	198167-26090	BEARING 6002NC2	1							
4-1	1	1A6781-26090	BALL BEARING 6201	1							S 1
(A=F130496)											
5	1	198167-26110	GEAR 15,PTO DRIVE	1							
6	1	198167-26131	GEAR 18,PTO IDLE	1							
6-1	1	1A6781-26130	GEAR 18,PTO IDLE	1							S 2
(A=F130496)											
7	1	192152-26820	BALL BEARING	1							
8	1	22242-000250	CIRCLIP 25S	1							
9	1	22252-000400	CIRCLIP 40	1							
10	1	24101-062034	BALL BEARING	1							
11	1	24104-060054	BALL BEARING	1							

Remarks
 (1)D1= REF NO.4 15M/M, 4-1 12M/M
 (2)D2= REF NO.6 15M/M, 6-1 12M/M

(A)=KE-200H (D)=
(B)= (E)=
(C)= (F)=

41. PTO CLUTCH SHAFT

REF.	LEV.	PARTS NO.	DESCRIPTION	QTY						I	R
				(A)	(B)	(C)	(D)	(E)	(F)		
1	1	1C6560-13170	BEARING 16005,BALL	2							
2	1	194640-25390	BALL BEARING	2							
3	1	194505-25600	D-RING 80	1							
4	1	198165-26150	SPLINE COLLAR, PTO	1							
5	1	198167-26160	GEAR, PTO CLUTCH	1							
6	1	198167-26170	GEAR 41, PTO DRIVE	1							
7	1	198165-26180	JOINT	1							
8	1	198165-26190	GEAR 12T,PTO	1							
8-1	1	1A6680-26190	GEAR 10T, PTO	1							S 1
(A=F130301)											
9	1	198167-26190	SHAFT, CMP CLUTCH	1							
11	2	1E6191-54330	SCREW 7X8	1							
12	1	198165-26210	BRAKE	1							
13	1	198167-26211	CYLINDER, CLUTCH	1							
14	1	198167-26220	COLLAR, SHIFT	1							
15	1	198167-26230	KEY 5X30	1							
16	1	198165-26240	COLLAR 15XT2.5	1							
17	1	198167-26240	RING, 21X25X3 SEAL	2							
18	1	198167-26250	SHAFT,PTO DRIVE OUT	1							
19	1	198165-26270	BEARING TMB302	1							
20	1	198167-26310	GEAR 35, PTO IDLE	1							
21	1	198167-26330	GEAR 45, PTO IDLE	1							
22	1	198167-26340	SHAFT, IDLE MID	1							
23	1	1E6190-54430	THRUST WASHER (C)	2							
24	1	1E6740-54440	PLATE 80, FRICTION	6							
25	1	1E6710-54450	PISTON 80	1							
26	1	1E6740-54450	PLATE 1.2, STEEL	6							
27	1	1E6710-54460	SPRING, CLUTCH RETURN	1							
28	1	1E6740-54470	WASHER 34X48X2, THRST	1							
29	1	1E6330-54490	PLATE 3.2, STEEL	1							
30	1	194405-83910	BEARING TMB204	1							
31	1	22242-000200	CIRCLIP 20	1							
32	1	22242-000250	CIRCLIP 25S	1							
33	1	22242-000340	CIRCLIP 34	1							
34	1	22252-000180	CIRCLIP 18	1							
35	1	22252-000470	CIRCLIP 47	1							
36	1	22252-000520	CIRCLIP 52	1							
37	1	22252-000800	CIRCLIP 80	1							
38	1	22551-050250	KEY 5X25	1							
39	1	24101-060054	BALL BEARING	1							
39-1	1	194850-26390	BEARING	1							S
(A=F130301)											
40	1	24101-060074	BALL BEARING	1							
41	1	24101-062044	BALL BEARING #6204	2							
42	1	24161-202417	BEARING	1							
43	1	24164-000202	CIRCLIP 20-S	1							
44	1	24341-000355	O-RING 1A S-35.5	1							
45	1	26018-080352	BOLT M8X35	1							

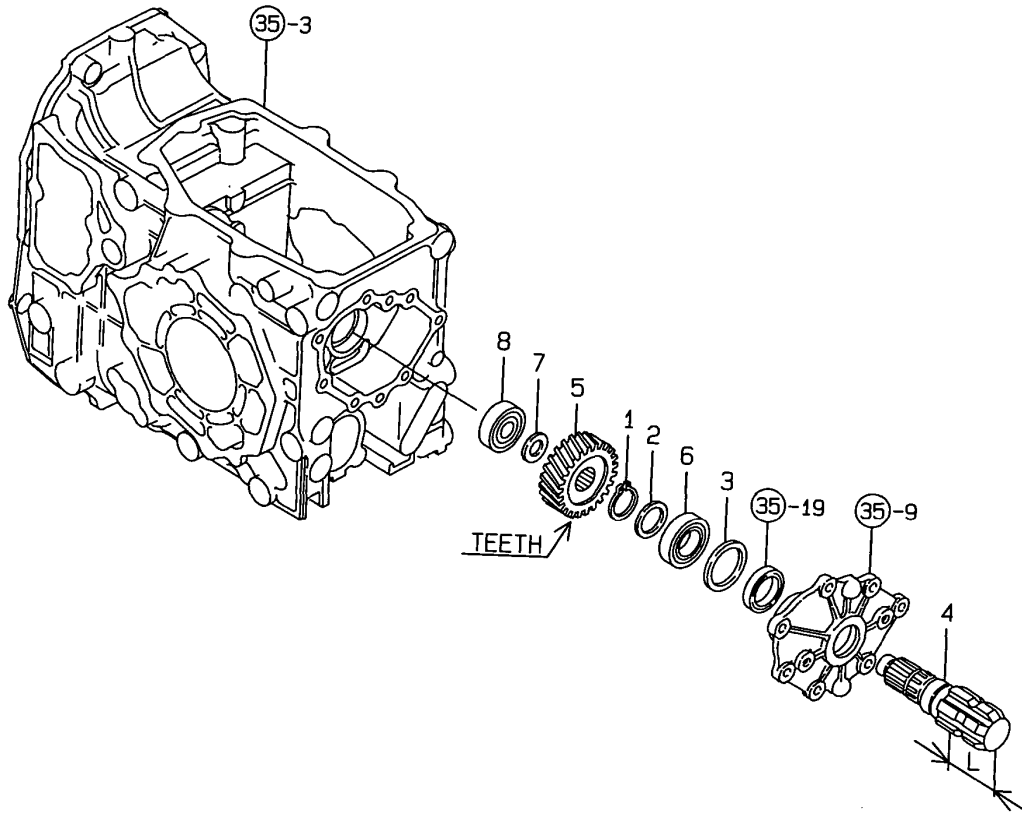


N135716

Remarks
(1) TEETH = REF NO.8 12, 8-1 10

42. PTO SHAFT

(A)=KE-200H (D)=
 (B)= (E)=
 (C)= (F)=

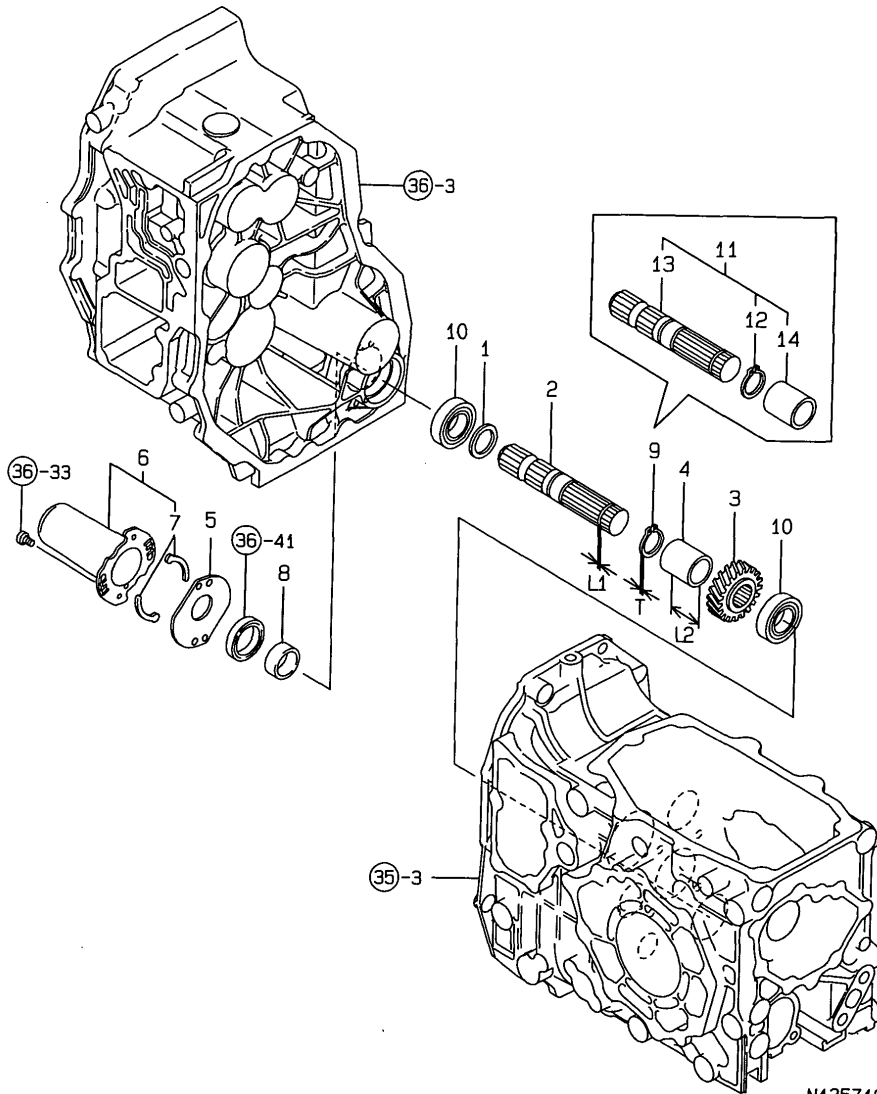


REF.	LEV.	PARTS NO.	DESCRIPTION	QTY						I	R
				(A)	(B)	(C)	(D)	(E)	(F)		
1	1	194306-13140	CIRCLIP 24-S	1							
2	1	198421-13650	WASHER 25X34X1.2	1							
2-1	1	198220-25130	SPACER 25*35*2	1							S
3	1	194855-24150	WASHER 36X45.5X1.2	1							Z
4	1	198165-26220	SHAFT, PTO	1							
4-1	1	1A6680-26220	SHAFT, PTO	1							S 1
5	1	198165-26230	GEAR 25T, PTO REAR	1							
5-1	1	1A6680-26230	GEAR,REAR PTO Z=2T	1							S 2
6	1	194850-26390	BEARING	1							
6-1	1	24101-062054	BEARING #6205	1							S
7	1	1C6220-32250	SPACER 15.5 X 27 X 1	1							
8	1	24101-063024	BALL BEARING	1							

Remarks
 (1)L= REF NO.4 88M/M, 4-1 79M/M
 (2)TEETH= REF NO.5 25, 5-1 21

43. M-PTO SHAFT

(A)=KE-200H (D)=
 (B)= (E)=
 (C)= (F)=

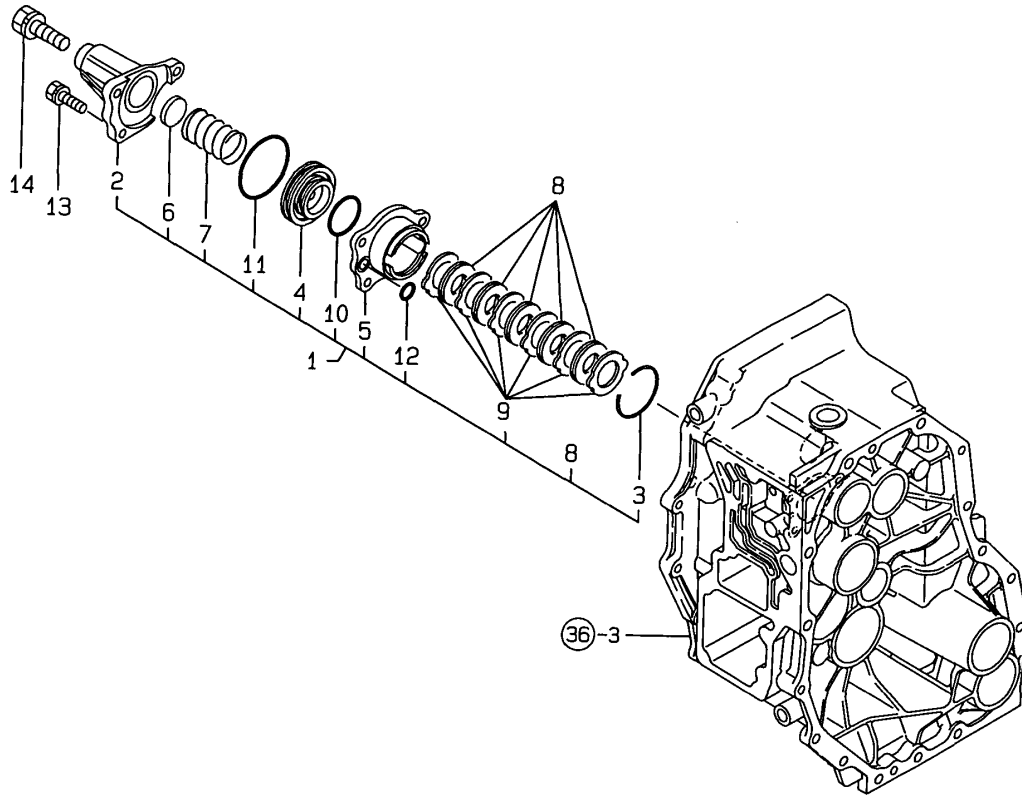


REF.	LEV.	PARTS NO.	DESCRIPTION	QTY						I	R
				(A)	(B)	(C)	(D)	(E)	(F)		
1	1	1C6140-14050	SPACER 25.2X34X2	1							
2	1	198165-26400	SHAFT,MID PTO	1							
2-1	1	198165-26401	M PTO SHAFT	1						S	1
		(A=F130465)									
2-2	1	198165-26401	M PTO SHAFT	1							Z
		(A=F130466)									
3	1	198165-26410	GEAR 22T, MID PTO	1							
4	1	198165-26420	COLLAR 26.8X32X36.9	1							
4-1	1	198165-26421	COLLAR 26.8X32X36.3	1						S	2
		(A=F130465)									
4-2	1	198165-26421	COLLAR 26.8X32X36.3	1							Z
		(A=F130466)									
5	1	198165-26490	COVER,M-PTO OIL SEAL	1							
6	1	194850-26850	COVER ASSY, SHAFT	1							
7	2	194850-26870	SPRING, SHIFT COVER	2							
8	1	1E6190-54080	SLEEVE SI25X30X13	1							
9	1	22242-000250	CIRCLIP 25S	1							
9-1	1	194306-13140	CIRCLIP 24-S	1						S	3
		(A=F130465)									
9-2	1	194306-13140	CIRCLIP 24-S	1							Z
		(A=F130466)									
10	1	24101-060054	BALL BEARING	2							
11	1	1A6680-26390	M PTO SHAFT KIT	1							W
		(A=F130466)									
12	2	194306-13140	CIRCLIP 24-S	1							W
		(A=F130466)									
13	2	1A6680-26400	SHAFT,MID PTO	1							W
		(A=F130466)									
14	2	198165-26421	COLLAR 26.8X32X36.3	1							W
		(A=F130466)									

Remarks
 (1)L1= REF NO.2 1.25M/M, 2-1 1.9M/M
 (2)L2= REF NO.4 36.9M/M, 4-1 36.3M/M
 (3)T= REF NO.9 1.2M/M, 9-1 1.75M/M

44. PTO INARSHAR BRAKE

(A)=KE-200H (D)=
 (B)= (E)=
 (C)= (F)=

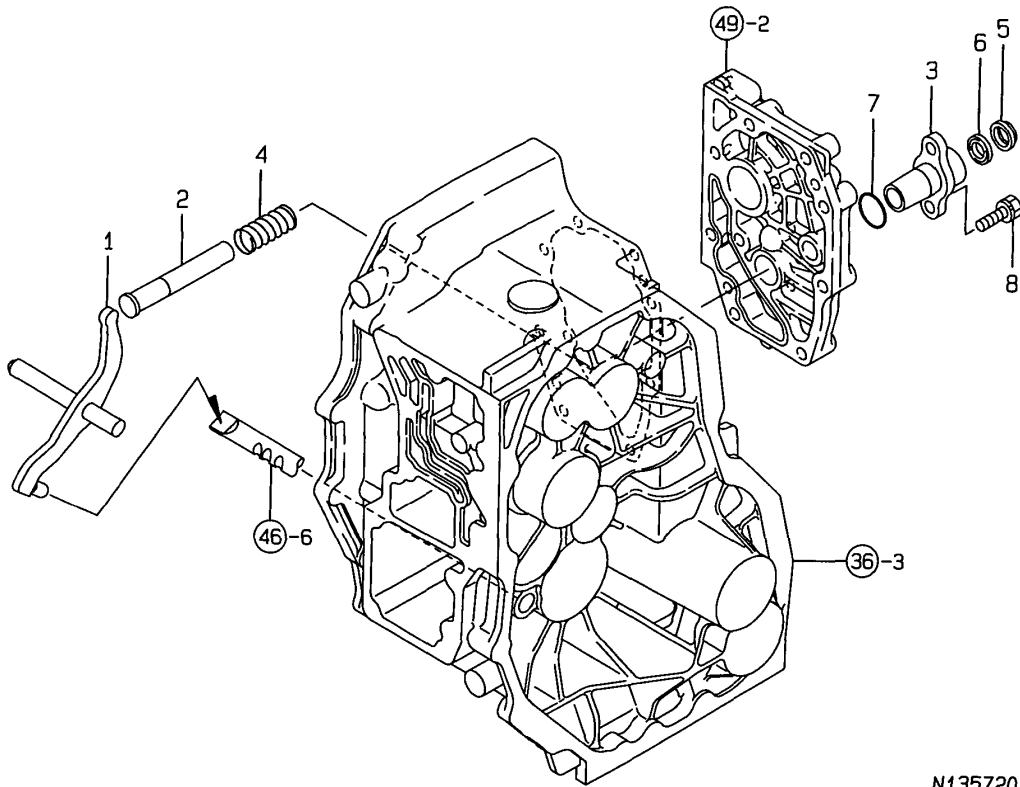


N135719

REF.	LEV.	PARTS NO.	DESCRIPTION	QTY						I	R
				(A)	(B)	(C)	(D)	(E)	(F)		
1	1	198167-26500	CASE,CMP SEAL	1							
2	2	198167-26510	CASE,SEAL	1							
3	2	198167-26520	CLIP 45	1							
4	2	198167-26530	PISTON,INERSHER	1							
5	2	198167-26540	BRAKE CASE,INERSHER	1							
6	2	198167-26550	PLATE	1							
7	2	198167-26580	SPRING,BRAKE	1							
8	2	194850-26710	PLATE 40, FRICTION	5							
9	2	194850-26720	PLATE 1.2, STEEL	6							
10	2	24321-000300	O-RING G30	1							
11	2	24321-000500	O-RING 1A G-50.0	1							
12	2	24341-000120	O-RING 1A S-12.0	1							
13	1	26016-080352	BOLT M 8X 35	3							
14	1	26016-100302	BOLT M10X 30	1							

45. CHECK CONTROL

(A)=KE-200H (D)=
 (B)= (E)=
 (C)= (F)=

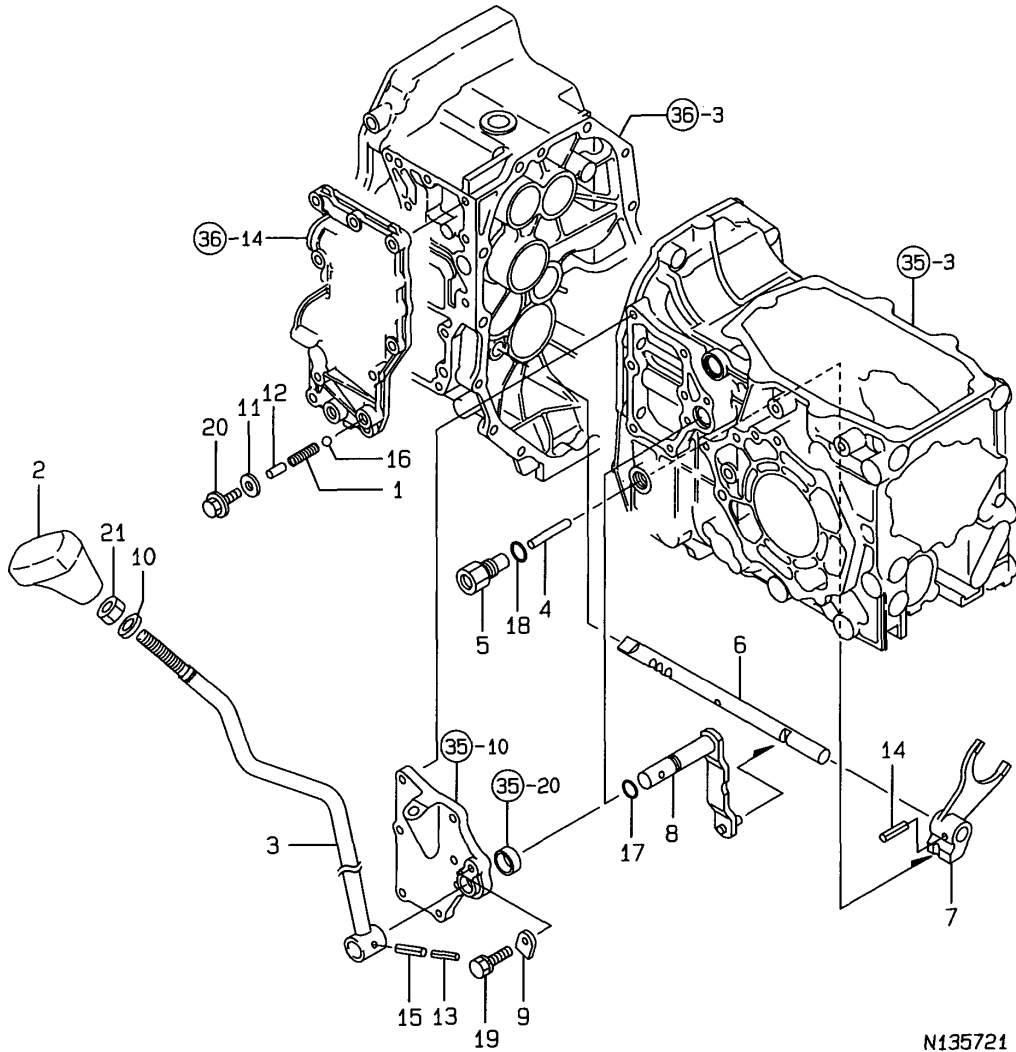


N135720

REF.	LEV.	PARTS NO.	DESCRIPTION	QTY						I	R
				(A)	(B)	(C)	(D)	(E)	(F)		
1	1	198167-27580	YORK	1							
2	1	198167-27630	PIN	1							
3	1	198167-27640	HOLDER	1							
4	1	198167-27650	SPRING,RETURN	1							
5	1	198167-27680	SCREPPER	1							
6	1	198167-27690	SEAL,PENTA	1							
7	1	24311-000220	O-RING 1A P-22.0	1							
8	1	26016-080202	BOLT M 8X 20	2							

46. SUB CHANGE

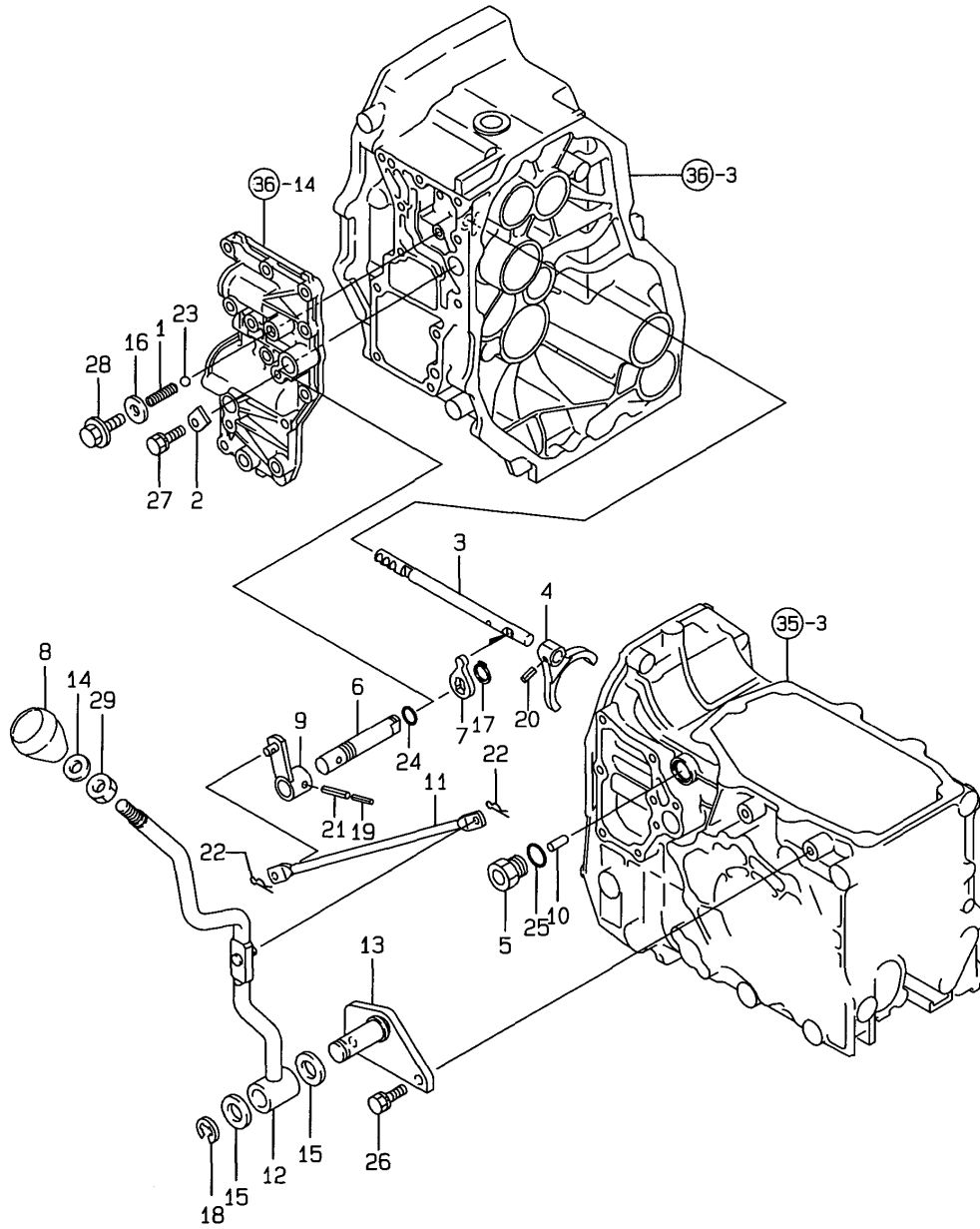
(A)=KE-200H (D)=
 (B)= (E)=
 (C)= (F)=



REF.	LEV.	PARTS NO.	DESCRIPTION	QTY						I	R
				(A)	(B)	(C)	(D)	(E)	(F)		
1	1	198421-27110	SPRING 38.4	1							
2	1	198421-27240	KNOB,MAIN CHG.LEVER	1							
3	1	1A6640-27400	LEVER COMP.,RANGE	1							
4	1	198167-27480	PIN,SWITCH RENG	1							
5	1	198167-27490	HOLDER,SWITCH	1							
6	1	198167-27510	SHAFT,FORK RENG	1							
7	1	198167-27521	FORK,SHIFT RENG	1							
8	1	198167-27530	ARM,CMP SHIFT	1							
9	1	194197-27681	PLATE, KEEP	1							
10	1	22117-120000	WASHER 12	1							
11	1	22190-100000	SEAL WASHER 10(BOLT)	1							
12	1	22312-080180	PARALLEL PIN 8X16	1							
13	1	22351-035032	SPRING PIN 3.5X32	1							
14	1	22351-060025	SPRING PIN 6X25	1							
15	1	22351-060032	SPRING PIN 6X32	1							
16	1	24190-100001	BALL 5/16, STEEL	1							
17	1	24311-000125	O-RING 1A P-12.5	1							
18	1	24311-000140	O-RING 1A P-14.0	1							
19	1	26016-080352	BOLT M 8X 35	1							
20	1	26106-100252	BOLT M10X 25 PLATED	1							
21	1	26716-120002	NUT 12	1							

47. PTO CHANGE

(A)=KE-200H (D)=
 (B)= (E)=
 (C)= (F)=

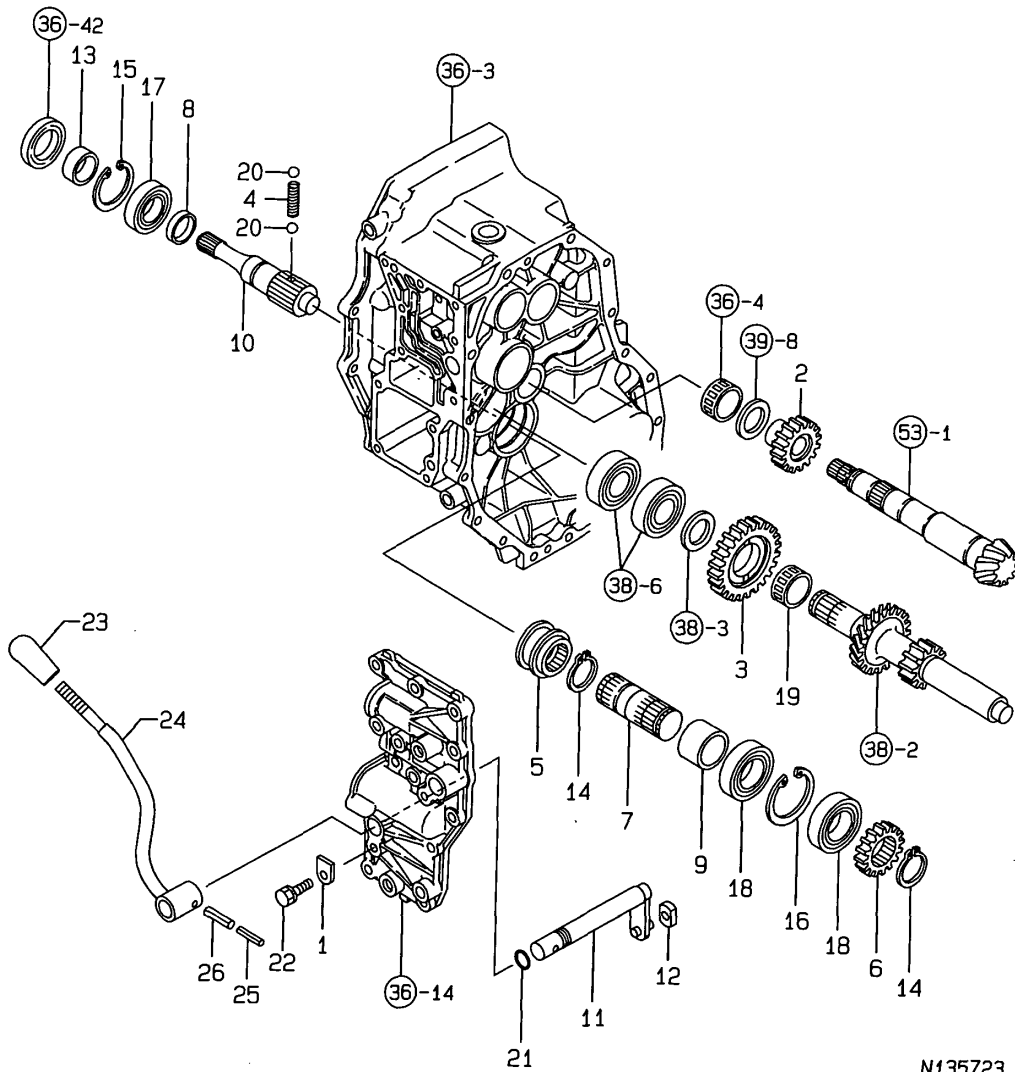


REF.	LEV.	PARTS NO.	DESCRIPTION	QTY						I	R
				(A)	(B)	(C)	(D)	(E)	(F)		
1	1	198421-27110	SPRING 38.4	1							
2	1	194197-27681	PLATE, KEEP	1							
3	1	198167-27720	SHAFT,FORK PTO	1							
4	1	198167-27730	FORK,PTO SHIFT	1							
5	1	198165-27750	HOLDER M20,SWITCH	1							
6	1	198167-27770	SHAFT,PTO SHIFT	1							
7	1	198167-27780	ARM,PTO SHIFT	1							
8	1	194420-27810	KNOB	1							
9	1	198167-27810	ARM,CMP PTO SHIFT	1							
10	1	198165-27820	PIN,SWITCH PTO	1							
11	1	198167-27850	LINK,PTO SHIFT	1							
12	1	1A6640-27870	LEVER COMP.,P.T.O.	1							
13	1	198167-27930	BRACKET,PTO LEVER	1							
14	1	22117-120000	WASHER 12	1							
15	1	22137-180000	WASHER 18	2							
16	1	22190-100000	SEAL WASHER 10(BOLT)	1							
17	1	22242-000170	CIRCLIP 17	1							
18	1	22272-000150	CIRCLIP E-15	1							
19	1	22351-035032	SPRING PIN 3.5X32	1							
20	1	22351-060020	SPRING PIN 6X20	1							
21	1	22351-060032	SPRING PIN 6X32	1							
22	1	22360-080000	SNAP PIN 8	2							
22-1	1	1C6281-52320	PIN 8,COME-OFF SNAP	2							N
(A=F130456)											
23	1	24190-100001	BALL 5/16, STEEL	1							
24	1	24311-000125	O-RING 1A P-12.5	1							
25	1	24311-000180	O-RING 1A P-18.0	1							
26	1	26013-080252	BOLT M 8X 25	2							
27	1	26016-080202	BOLT M 8X 20	1							
28	1	26106-100252	BOLT M10X 25 PLATED	1							
29	1	26716-120002	NUT 12	1							

N135722

48. FRONT DRIVE & FRONT SHIFT

(A)=KE-200H (D)=
 (B)= (E)=
 (C)= (F)=

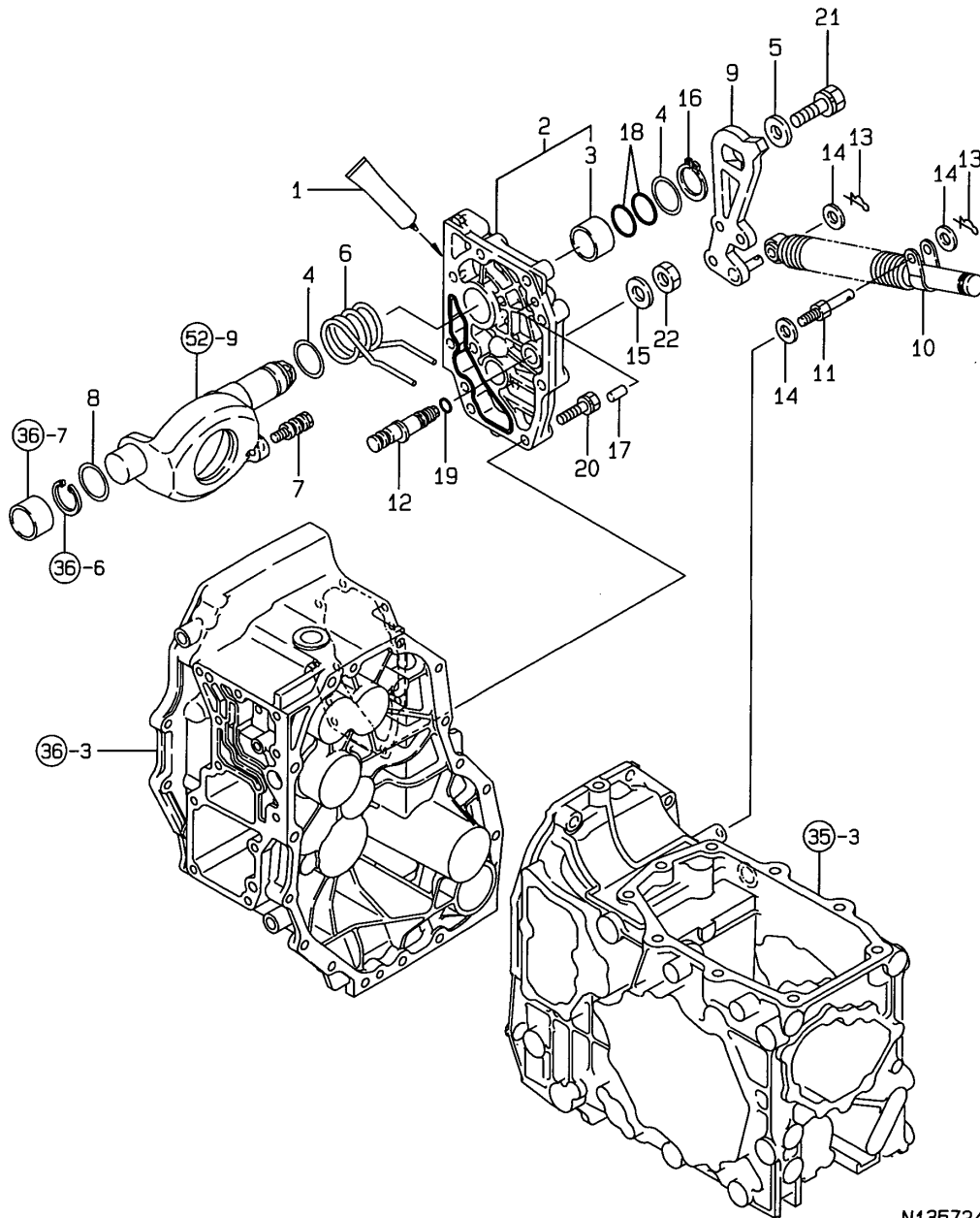


N135723

REF.	LEV.	PARTS NO.	DESCRIPTION	QTY						I	R
				(A)	(B)	(C)	(D)	(E)	(F)		
1	1	194197-27681	PLATE, KEEP	1							
2	1	198167-28210	GEAR,DRIVE MFWD	1							
3	1	198167-28220	GEAR,IDEL MFWD	1							
4	1	194311-28230	SPRING 21.2	1							
5	1	198165-28240	COLLAR,SHIFT FRONT	1							
6	1	198167-28240	GEAR,DRIVEN MFWD	1							
7	1	198167-28250	SHAFT,DRIVEN MFWD	1							
8	1	198167-28270	COLLAR 25	1							
9	1	198167-28280	COLLAR 30	1							
10	1	198167-28290	SHAFT,FRONT DRIVE	1							
11	1	198167-28310	ARM,CMP SHIFT 4WD	1							
12	1	198165-28330	BROCK,SHIFT	1							
13	1	1E6190-54080	SLEEVE SI25X30X13	1							
14	1	22242-000290	CIRCLIP 29	2							
15	1	22252-000470	CIRCLIP 47	1							
16	1	22252-000550	CIRCLIP 55	1							
17	1	24101-060054	BALL BEARING	1							
18	1	24104-060064	BALL BEARING	2							
19	1	24161-283313	NEEDLE BEARING	1							
20	1	24190-080001	BALL 1/4, STEEL	2							
21	1	24311-000125	O-RING 1A P-12.5	1							
22	1	26016-080202	BOLT M 8X 20	1							
23	1	194464-01190	KNOB, THROTTLE LEVER	1							
23-1	1	198253-01190	KNOB, THROTTLE LEVER	1							N
(A=F130402)											
24	1	198167-28370	LEVER, 4WD	1							
25	1	22351-035032	SPRING PIN 3.5X32	1							
26	1	22351-060032	SPRING PIN 6X32	1							

49. CONTROL

(A)=KE-200H (D)=
 (B)= (E)=
 (C)= (F)=

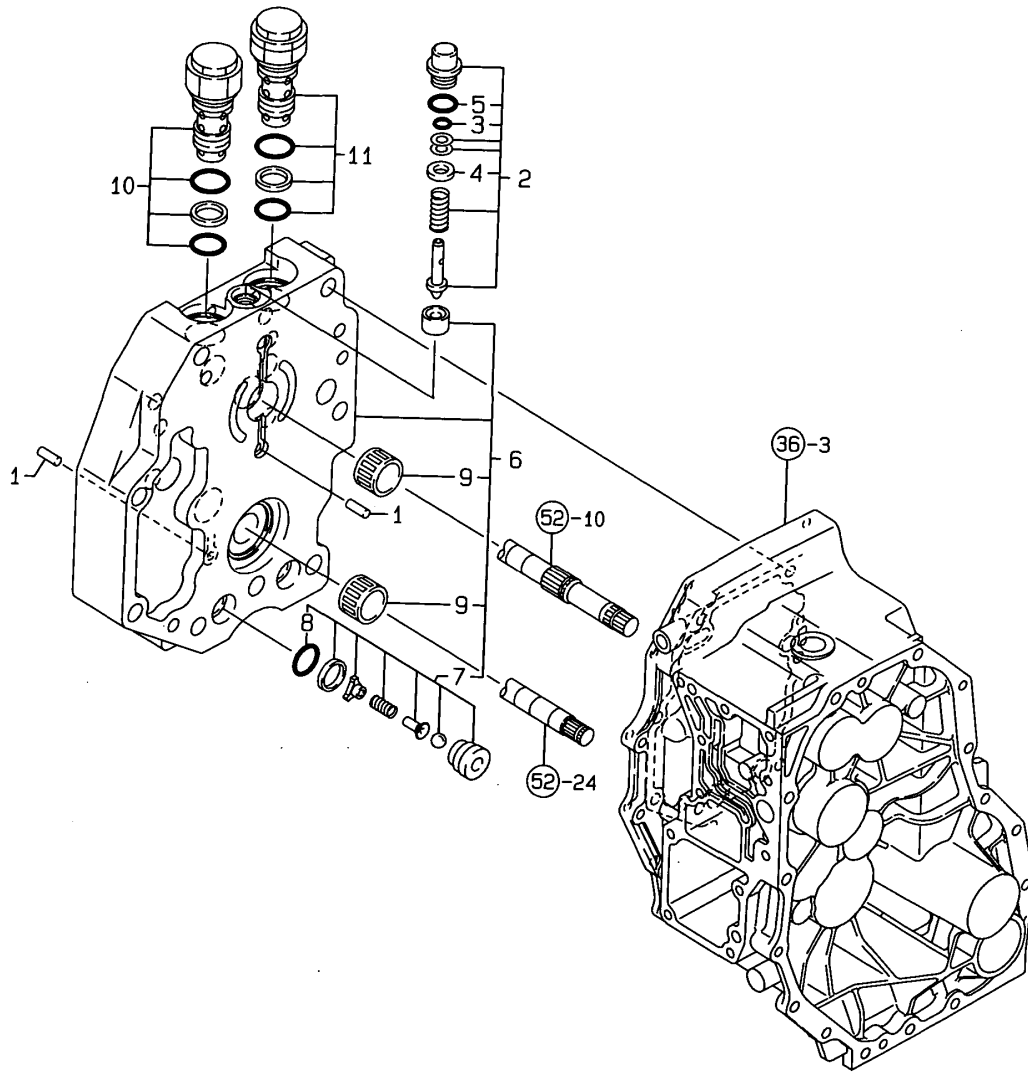


REF.	LEV.	PARTS NO.	DESCRIPTION	QTY						I	R
				(A)	(B)	(C)	(D)	(E)	(F)		
1	1	194855-24020	SEALANT	1							
2	1	198167-24440	COVER R,CMP SIDE	1							
3	2	24550-028200	BUSH 28X20	1							
4	1	198167-24530	WASHER	2							
5	1	194180-25930	WASHER 12X27X4.5	1							
6	1	192157-27510	SPRING,N/C	1							
7	1	192157-27520	PIN, N/C	1							
8	1	192157-27550	WASHER 29*35*1	1							
9	1	192157-27600	CONTROL ARM COMP.	1							
10	1	192154-29610	SHOCK ABSORBER	1							
11	1	192154-29640	STUD	1							
12	1	192154-29700	FULCRUM	1							
13	1	1C6281-52320	PIN 8,COME-OFF SNAP	2							
14	1	22137-080000	WASHER 8, POLISHED	3							
15	1	22137-120000	WASHER 12,POLISHED	1							
16	1	22242-000280	CIRCLIP 28	1							
17	1	22312-080160	PARALLEL PIN 8X 16	2							
18	1	24311-000260	O-RING 1A P-26.0	2							
19	1	24311-240100	O-RING 1A P-10A	1							
20	1	26016-080402	BOLT M 8X 40	9							
21	1	26016-120302	BOLT M12X 30	1							
22	1	26776-120002	LOCK NUT M12 PLATED	1							

N135724

50. CENTER CASE

(A)=KE-200H (D)=
 (B)= (E)=
 (C)= (F)=

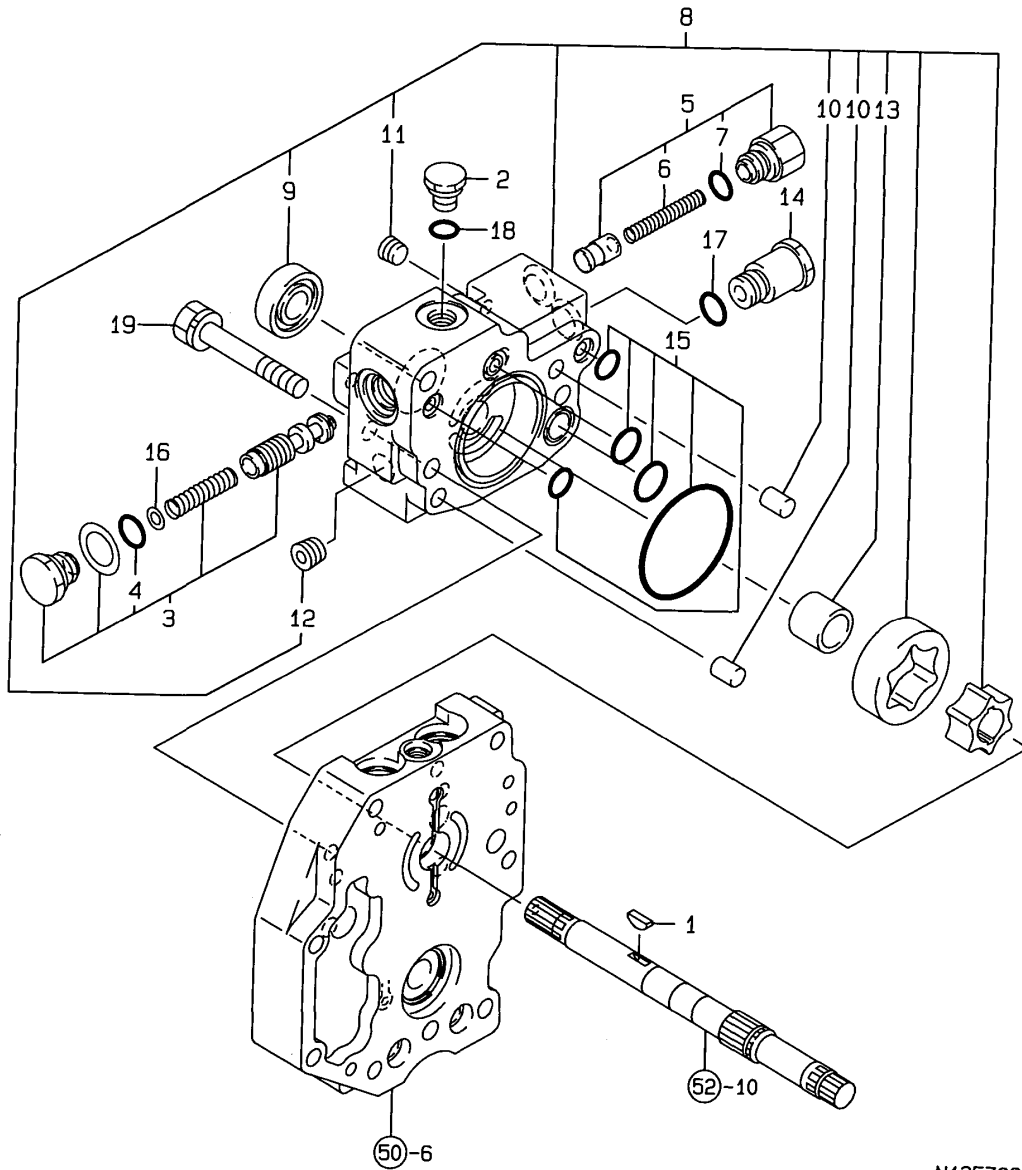


N135725

REF.	LEV.	PARTS NO.	DESCRIPTION	QTY						I	R
				(A)	(B)	(C)	(D)	(E)	(F)		
1	1	192157-24690	PIN 4*13.8		2						
2	1	198167-24710	RELIEF COMP., IMPL		1						
3	2	192157-24750	PACKING P 5		1						
4	2	22137-050000	WASHER 5, POLISHED		1						
5	2	24311-000120	O-RING 1A P 12.0		1						
6	1	198167-29010	CASE,CMP CENTER		1						
6-1	1	198167-29011	CASE,CMP CENTER		1						N
		(A=F120259)									
7	2	192157-24570	SUCTION BODY COMP.		2						
8	3	192154-24670	PACKING 1015		2						
9	2	24162-182416	NEEDLE(S 182416		2						
10	1	198164-29040	VALVE F,CMP SAFETY		1						
11	1	198164-29050	VALVE R,CMP SAFETY		1						

51. POWER PUMP

(A)=KE-200H (D)=
 (B)= (E)=
 (C)= (F)=



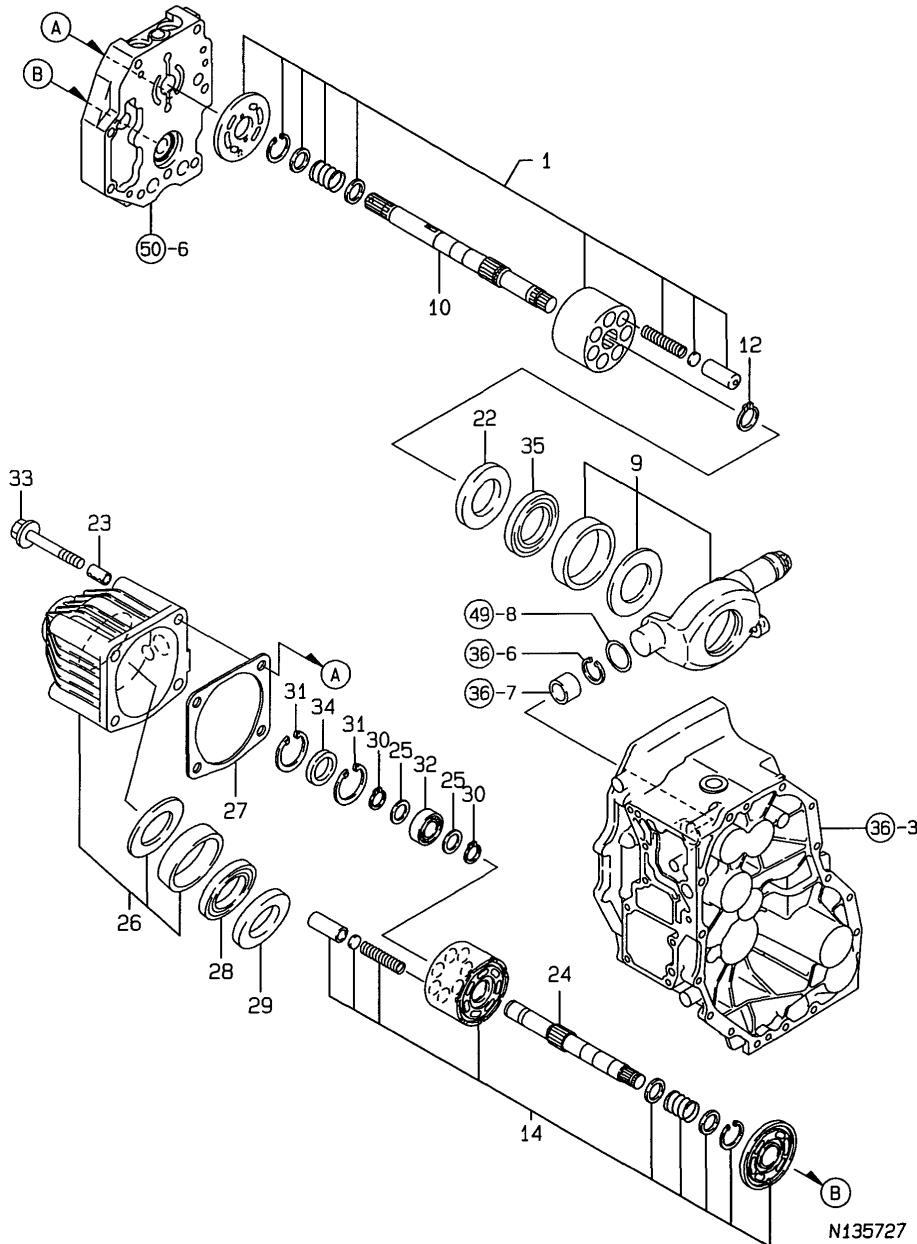
N135726

REF.	LEV.	PARTS NO.	DESCRIPTION	QTY						I	R
				(A)	(B)	(C)	(D)	(E)	(F)		
1	1	192157-26440	KEY 13*3.2		1						
2	1	192157-26460	PLUG 1/2-20 UNF		1						
3	1	192157-26470	REDUCING VALVE COMP.		1						
4	2	24311-000140	O-RING 1A P-14.0		1						
5	1	192157-26520	PRESSURE VALVE COMP.		1						
6	2	192157-26740	SPRING		1						
7	2	24311-000120	O-RING 1A P 12.0		1						
8	1	198167-29310	BODY,CMP PUMP		1						
9	2	192157-26450	SEAL TC 18 35 8		1						
10	2	22312-100120	PARALLEL PIN 10X12		2						
11	2	23871-010000	PLUG PT1/8,SCREW		1						
12	2	23871-030000	PLUG PT3/8,SCREW		1						
13	2	24550-018200	BUSH 18X20		1						
14	1	198167-29330	ADAPTER		1						
15	1	198167-29340	PACKING, KIT		1						
16	1	198167-29390	SHIM		1						
17	1	24311-000140	O-RING 1A P-14.0		1						
18	1	24361-090500	PACKING 1A AS 905		1						
19	1	26016-100652	BOLT W/WASHER 10* 65		2						

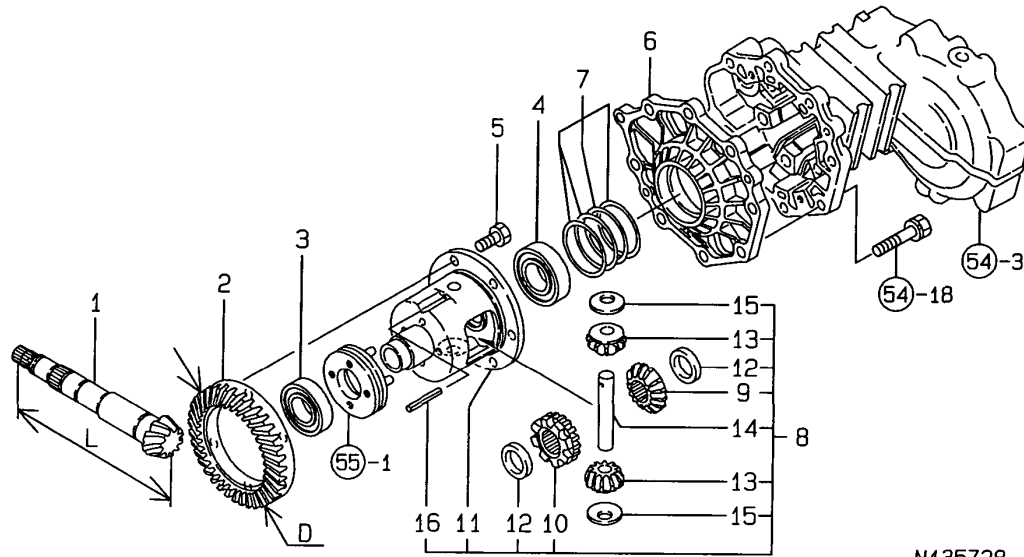
(A)=KE-200H (D)=
 (B)= (E)=
 (C)= (F)=

52. PUMP & MOTOR

REF.	LEV.	PARTS NO.	DESCRIPTION	QTY						I	R
				(A)	(B)	(C)	(D)	(E)	(F)		
1	1	1A6640-29550	BLOCK CMP,CYLINDER	1							
9	1	1A6640-29720	SHIFT,CMP	1							
10	1	198167-29410	SHAFT,PUMP	1							
12	1	22242-000210	CIRCLIP 21	1							
14	1	1A6640-29450	BLOCK CMP, CYLINDER	1							
22	1	198167-29750	PLATE A,SLAST	1							
23	1	192157-24850	PIN 12X22,KNOCK	2							
24	1	192157-25020	MOTOR SHAFT	1							
25	1	192157-25040	WASHER 17*23*1	2							
26	1	198167-29610	CASE,CMP MOTOR	1							
27	1	198167-29640	PACKING,MOTOR CASE	1							
28	1	198167-29710	SLAST, B	1							
29	1	198167-29750	PLATE A,SLAST	1							
30	1	22242-000170	CIRCLIP 17	2							
31	1	22252-000400	CIRCLIP 40	2							
32	1	24101-062034	BALL BEARING	1							
33	1	26106-101052	BOLT M10X105 PLATED	2							
34	1	27260-400000	COVER 40, BLIND	1							
35	1	198167-29710	SLAST, B	1							



53. RING GEAR & DIFFERENTIAL GEAR



N135728

NPC-3932 53. RING GEAR & DIFFERENTIAL GEAR

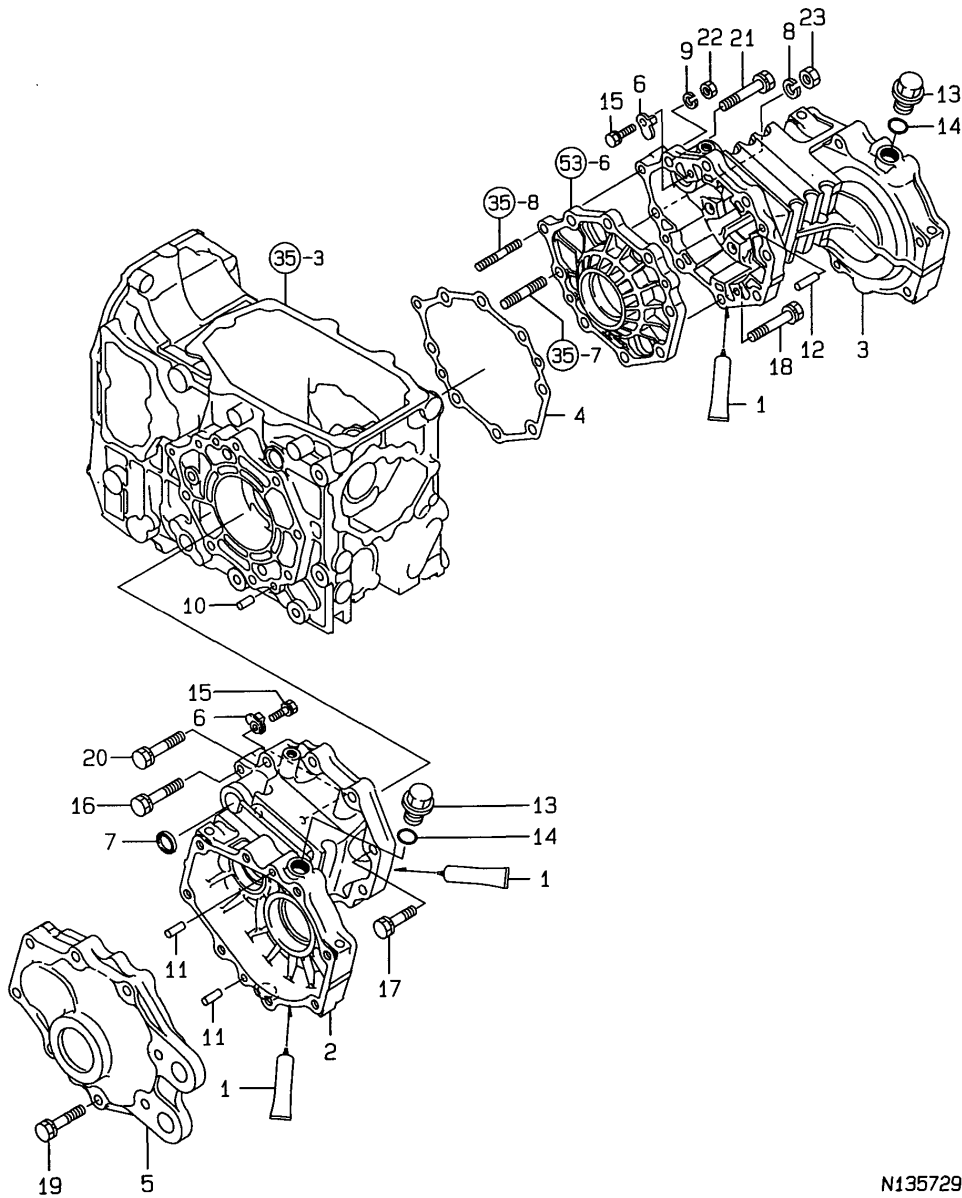
(A)=KE-200H (D)=
 (B)= (E)=
 (C)= (F)=

REF.	LEV.	PARTS NO.	DESCRIPTION	QTY						I	R
				(A)	(B)	(C)	(D)	(E)	(F)		
1	1	198167-25710	SHAFT,COUNTER	1							
1-1	1	1A6781-25710 (A=F130496)	SHAFT, BEVEL	1							S 1
2	1	198165-31400	GEAR,RING	1							
2-1	1	1A6780-31400 (A=F130496)	GEAR, RING	1							S 2
3	1	24101-060064	BALL BEARING	1							
4	1	24101-060074	BALL BEARING	1							
5	1	26156-100162	BOLT M10X16	6							
6	1	198165-32311	CARRIER,DIFFERENTIAL	1							
7	1	198165-32320	SHIM SET,DIF CARRIER	1							
8	1	198163-31500	CASE ASSY,DIFF	1							
9	2	198421-31510	GEAR,DIFF.SIDE	1							
10	2	198421-31520	GEAR,DIFF.LOCK SIDE	1							
11	2	198421-31530	CASE,DIFFERENTIAL	1							
12	2	198421-31550	LINER,DIFF.SIDE GEAR	2							
13	2	194300-31560	GEAR, DIFFERENTIAL	2							
14	2	194300-31570	SHAFT, DIFFERENTIAL	1							
15	2	194300-31620	WASHER, DIFFERENTIAL	2							
16	2	22351-040040	SPRING PIN 4X40	1							

Remarks
 (1)L=REF NO.1 222.8M/M,1-1 223.3M/M
 (2)D=REF NO.2 128M/M, 2-1 130M/M

54. REAR HOUSING

(A)=KE-200H (D)=
 (B)= (E)=
 (C)= (F)=

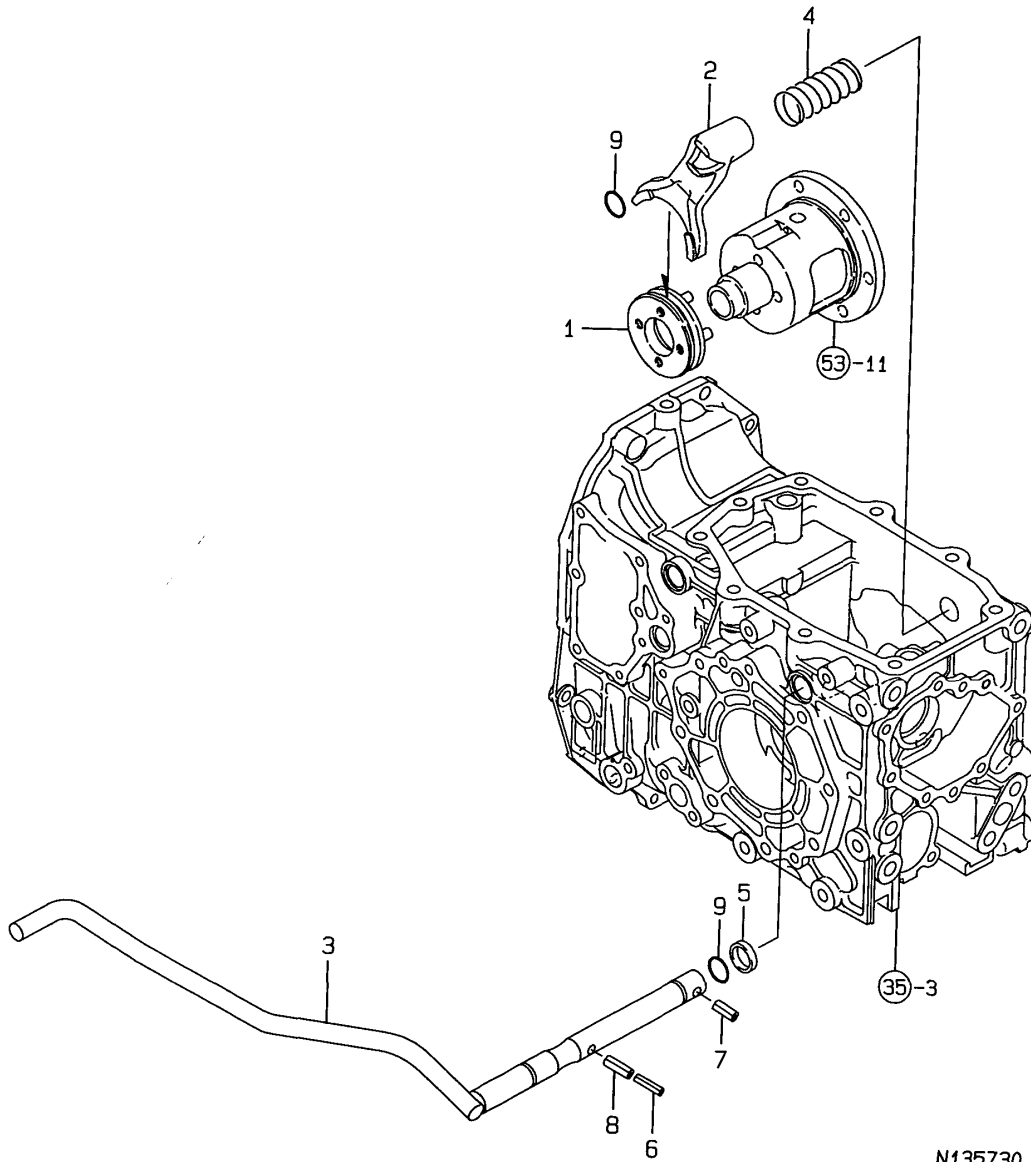


REF.	LEV.	PARTS NO.	DESCRIPTION	QTY						I	R	
				(A)	(B)	(C)	(D)	(E)	(F)			
1	1	194855-24020	SEALANT	1								
2	1	198165-32610	HOUSING L,REAR AXLE	1								
3	1	198165-32620	HOUSING R,REAR AXLE	1								
4	1	198165-32630	PACKING,HOUSING	1								
5	1	198165-32640	COVER,REAR AXLE	2								
6	1	198421-32660	STOPPER,STEEL PLATE	4								
7	1	198290-32750	SEAL TC253506,OIL	2								
8	1	22217-100000	SPRING WASHER 10	1								
9	1	22287-080000	LOCKING WASHER	1								
10	1	22312-080180	PARALLEL PIN 8X16	2								
11	1	22312-080220	PARALLEL PIN 8X22	4								
11-1	1	22312-080200	PARALLEL PIN 8X20	4								N
(A=F130456)												
12	1	22312-080320	PARALLEL PIN 8X32	2								
13	1	23491-140002	PLUG 14	2								
14	1	24311-000160	O-RING 1A P-16.0	2								
15	1	26013-080202	BOLT W/WASHER M8X20	4								
16	1	26013-080502	BOLT M 8X 50	1								
17	1	26013-100402	BOLT M10X 40	6								
18	1	26013-100502	BOLT M10X 50	6								
19	1	26013-100502	BOLT M10X 50	16								
20	1	26013-100552	BOLT M10X 55	2								
21	1	26013-100652	BOLT 10X65 W/SP.WSHR	1								
22	1	26716-080002	NUT M 8	1								
23	1	26716-100002	NUT 10	1								

N135729

55. DIFFERENTIAL LOCK

(A)=KE-200H (D)=
 (B)= (E)=
 (C)= (F)=

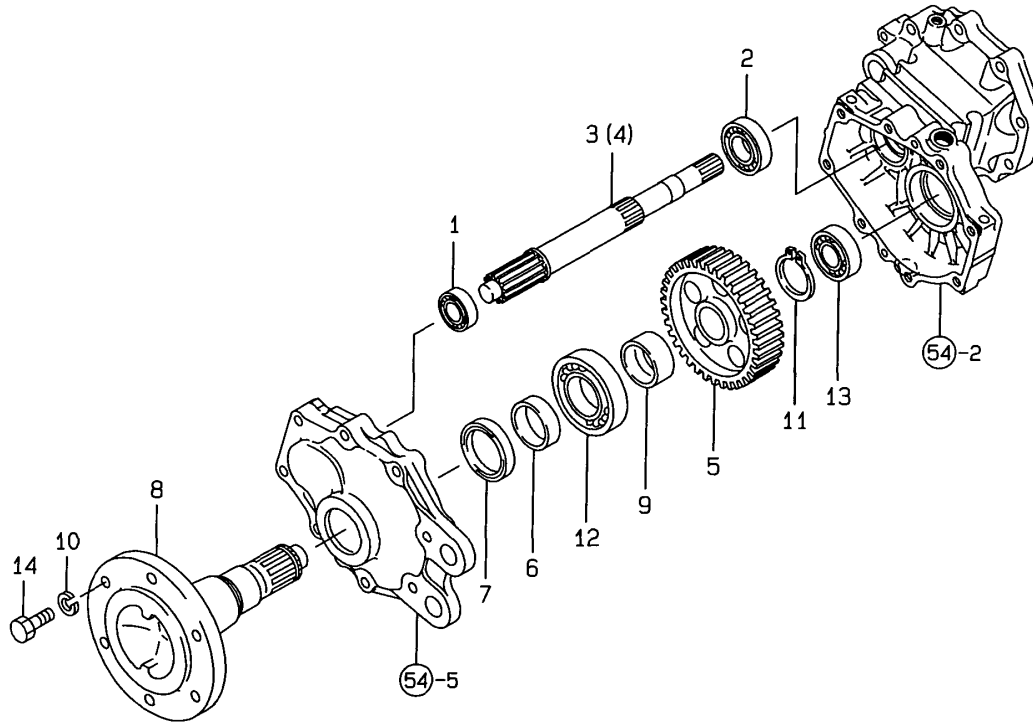


N135730

REF.	LEV.	PARTS NO.	DESCRIPTION	QTY						I	R
				(A)	(B)	(C)	(D)	(E)	(F)		
1	1	198421-33110	SLIDER,DIFF.LOCK	1							
2	1	198165-33120	FORK,SHIFT DIFF.LOCK	1							
3	1	198167-33130	PEDAL,DIFF.LOCK	1							
4	1	198421-33140	SPRING,DIFF.LOCK	1							
5	1	198421-33170	SPACER 20X25X3.2	1							
6	1	22351-050040	SPRING PIN 5X40	1							
7	1	22351-080032	SPRING PIN 8X32	1							
8	1	22351-080040	SPRING PIN 8X40	1							
9	1	24311-000160	O-RING 1A P-16.0	2							

56. FINAL PINION

(A)=KE-200H (D)=
 (B)= (E)=
 (C)= (F)=

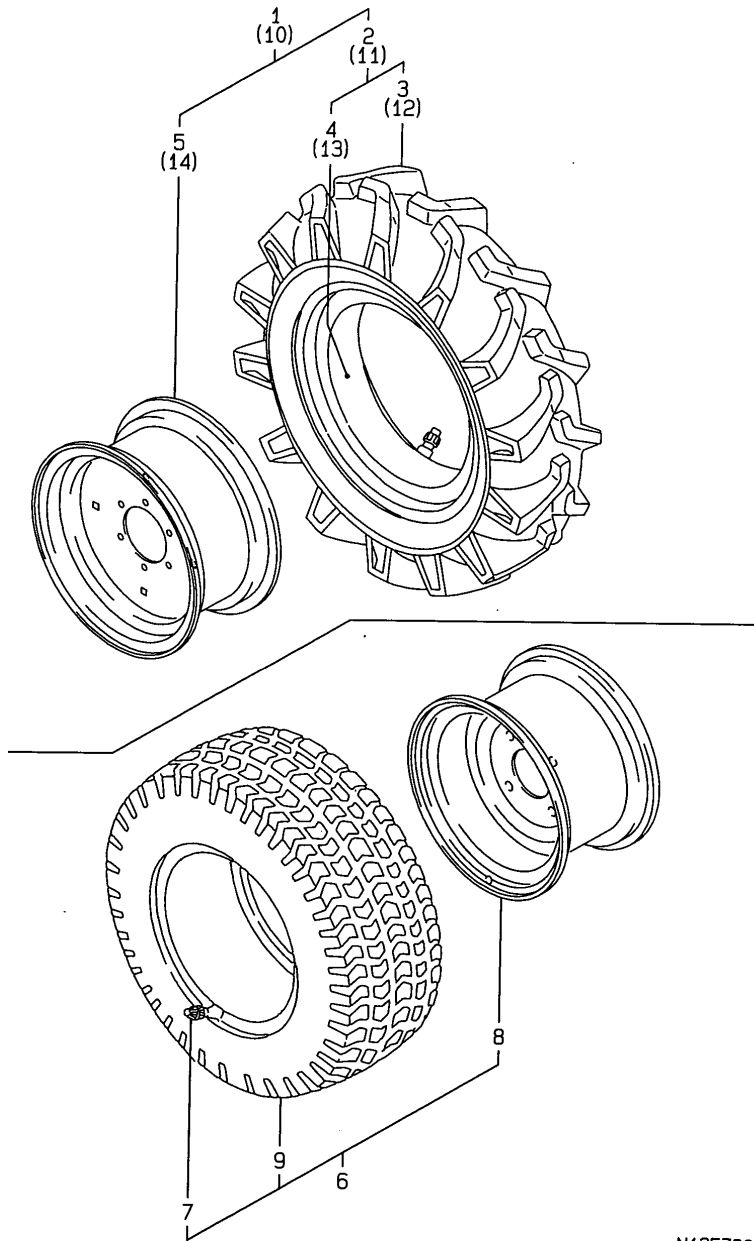


N135731

REF.	LEV.	PARTS NO.	DESCRIPTION	QTY						I	R
				(A)	(B)	(C)	(D)	(E)	(F)		
1	1	194447-13860	BALL BEARING		2						
2	1	192153-25140	BEARING 6006C3 SH2		2						
3	1	198165-33410	PINION L,FAINAL		1						
4	1	198165-33420	PINION R,FAINAL		1						
5	1	198165-33510	GEAR 46,FAINAL		2						
6	1	194516-13770	SLEEVE SI455016		2						
7	1	194516-13780	SEAL TC6Y 506812.5		2						
8	1	198165-34110	SHAFT,REAR AXLE		2						
9	1	198165-34140	COLLAR		2						
10	1	22217-120000	SPRING WASHER		12						
11	1	22242-000400	CIRCLIP 40		2						
12	1	24101-060094	BALL BEARING		2						
13	1	24101-063050	BALL BEARING		2						
14	1	26086-120302	BOLT 12* 30		12						

57. REAR WHEEL TIRE

(A)=KE-200H (D)=
 (B)= (E)=
 (C)= (F)=



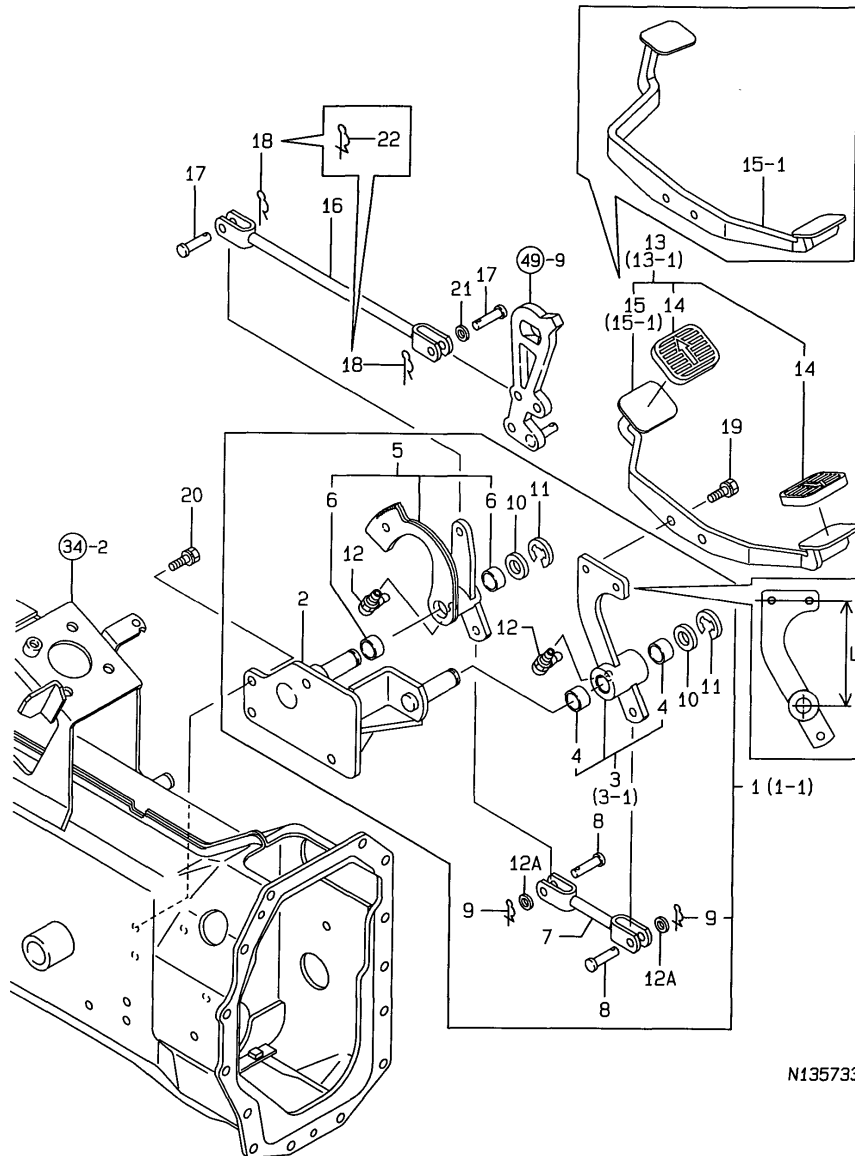
REF.	LEV.	PARTS NO.	DESCRIPTION	QTY						I	R
				(A)	(B)	(C)	(D)	(E)	(F)		
1	1	1A6640-34720	TIRE L KIT,REAR WH.	1							
2	2	194681-14750	TIRE 9.5-16-6 COMP.	1							
3	3	194681-14760	TIRE 9.5-16-6	1							
4	3	194681-14770	TUBE	1							
5	2	1A6640-34760	WHEEL 8JAX16WDC	1							
6	1	1A6640-34740	TIRE KIT,REAR WHEEL	2							Z
		(A=F120101)									
7	2	194136-12880	VALVE TR413	2							Z
		(A=F120101)									
8	2	1A6640-34770	WHEEL 10LBX15	2							Z
		(A=F120101)									
9	2	198165-34800	TIRE M40B	2							Z
		(A=F120101)									
10	1	1A6640-34820	TIRE R KIT,REAR WH.	1							
11	2	194681-14750	TIRE 9.5-16-6 COMP.	1							
12	3	194681-14760	TIRE 9.5-16-6	1							
13	3	194681-14770	TUBE	1							
14	2	1A6640-34760	WHEEL 8JAX16WDC	1							

N135732

(A)=KE-200H (D)=
 (B)= (E)=
 (C)= (F)=

58. HI-DORO PEDAL

REF.	LEV.	PARTS NO.	DESCRIPTION	QTY						I	R
				(A)	(B)	(C)	(D)	(E)	(F)		
1	1	1A6640-35100	ARM KIT,HST PEDAL	1							
1-1	1	1A6641-35100	ARM KIT,HST PEDAL	1							S
(A=F130301)											
2	2	1A6640-35110	BRACKET COMP.,HST	1							
3	2	1A6640-35210	ARM COMP.,HST	1							
3-1	2	1A6641-35210	ARM COMP.,HST	1							S 1
(A=F130301)											
4	3	24550-016120	BUSH 16X12,DRY	2							
5	2	1A6640-35260	BOSS COMP.,HST	1							
6	3	24550-016100	BUSH 16X10,DRY	2							
7	2	1A6640-35350	LINK COMP.,HST	1							
8	2	194080-37781	PIN 8X25	2							
9	2	1C6281-52320	PIN 8,COME-OFF SNAP	2							
10	2	22137-160000	WASHER 16,POLISHED	2							
11	2	22272-000120	CIRCLIP E-12	2							
12	2	24761-040000	NIPPLE B,GREASE	2							
12A	2	1C6053-32020	WASHER 8.5X20X3.2	2							W
(A=F120101)											
13	1	1A6640-35401	PEDAL,CMP HST	1							
13-1	1	1A6641-35400	PEDAL,CMP HST	1							S
(A=F130301)											
14	2	198136-27950	COVER,PEDAL	2							
15	2	1A6640-35411	PEDAL COMP.,HST	1							
15-1	2	1A6641-35410	PEDAL COMP.,HST	1							S
(A=F130301)											
16	1	198167-35450	ROD,SHIFT	1							
17	1	194080-37781	PIN 8X25	2							
18	1	22372-080000	SNAP PIN (JASO 8)	2							Z
(A=F120259)											
19	1	26013-080162	BOLT W/WASHER M8X16	2							
20	1	26013-080252	BOLT M 8X 25	4							
21	1	1C6053-32020	WASHER 8.5X20X3.2	1							W
(A=F120259)											
22	1	1C6281-52320	PIN 8,COME-OFF SNAP	2							W
(A=F120259)											

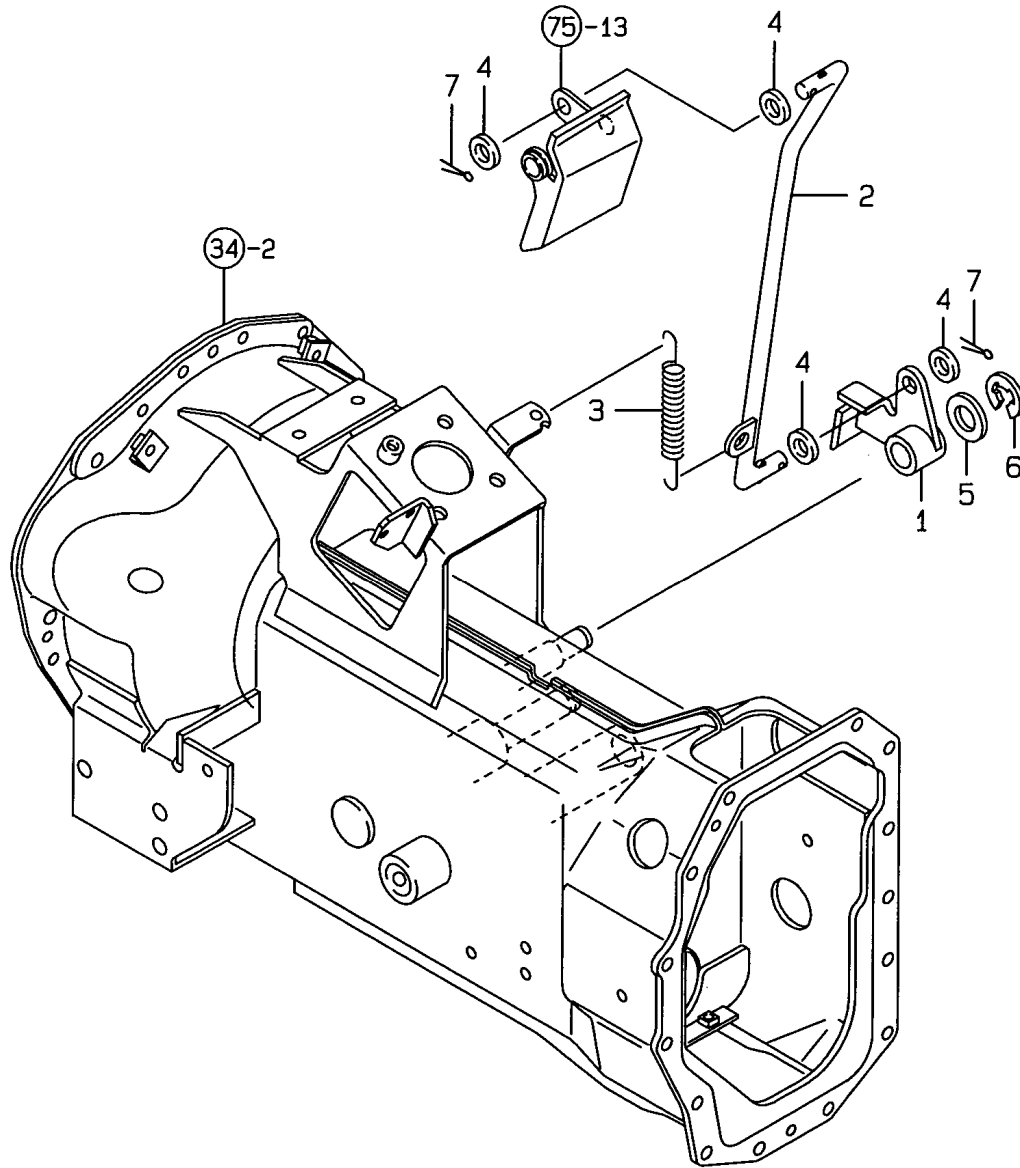


N135733

Remarks
 (1)L= REF NO.3 106M/M, 3-1 111M/M

59. CRUISE CONTROL

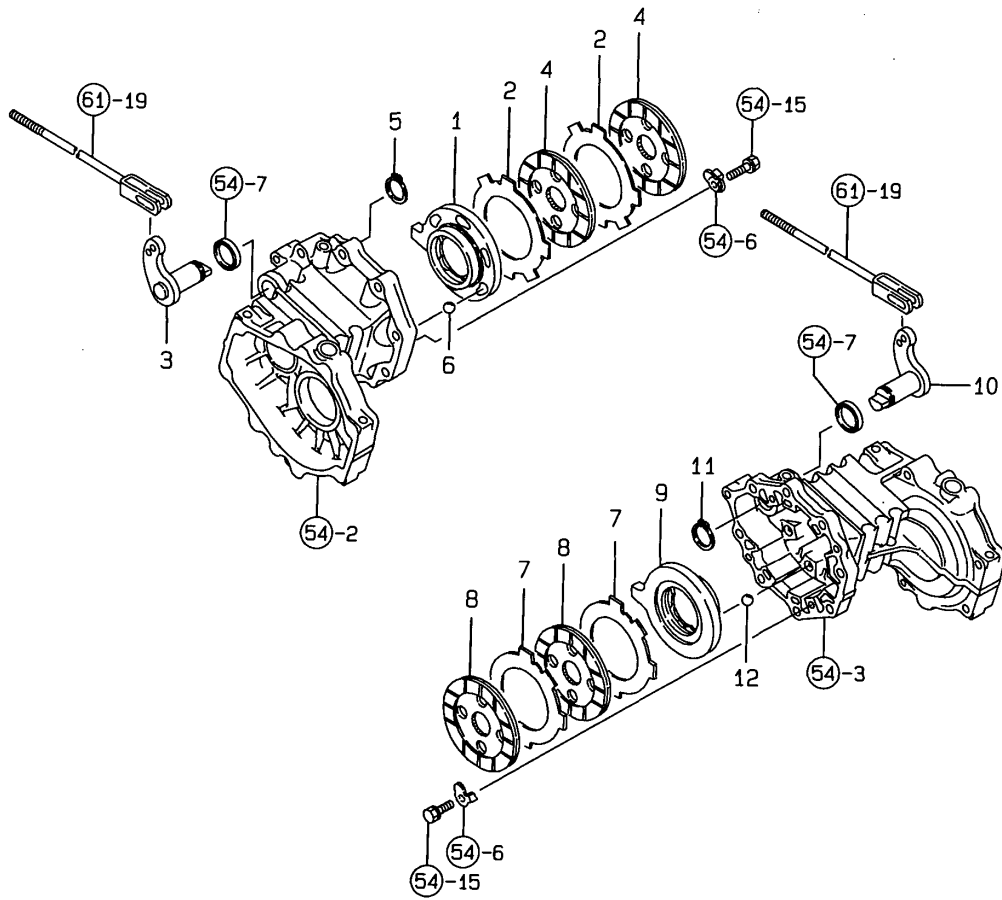
(A)=KE-200H (D)=
 (B)= (E)=
 (C)= (F)=



REF.	LEV.	PARTS NO.	DESCRIPTION	QTY						I	R
				(A)	(B)	(C)	(D)	(E)	(F)		
1	1	198167-35530	RACHETTE,CLUZE	1							
2	1	198167-35550	ROD,CLUZE	1							
3	1	1C6720-73330	SPRING,FLOAT	1							
4	1	22137-100000	WASHER 10,POLISHED	4							
5	1	22137-160000	WASHER 16,POLISHED	1							
6	1	22272-000120	CIRCLIP E-12	1							
7	1	22417-250250	COTTER PIN 2.5X25	2							

60. DISK BRAKE

(A)=KE-200H (D)=
 (B)= (E)=
 (C)= (F)=

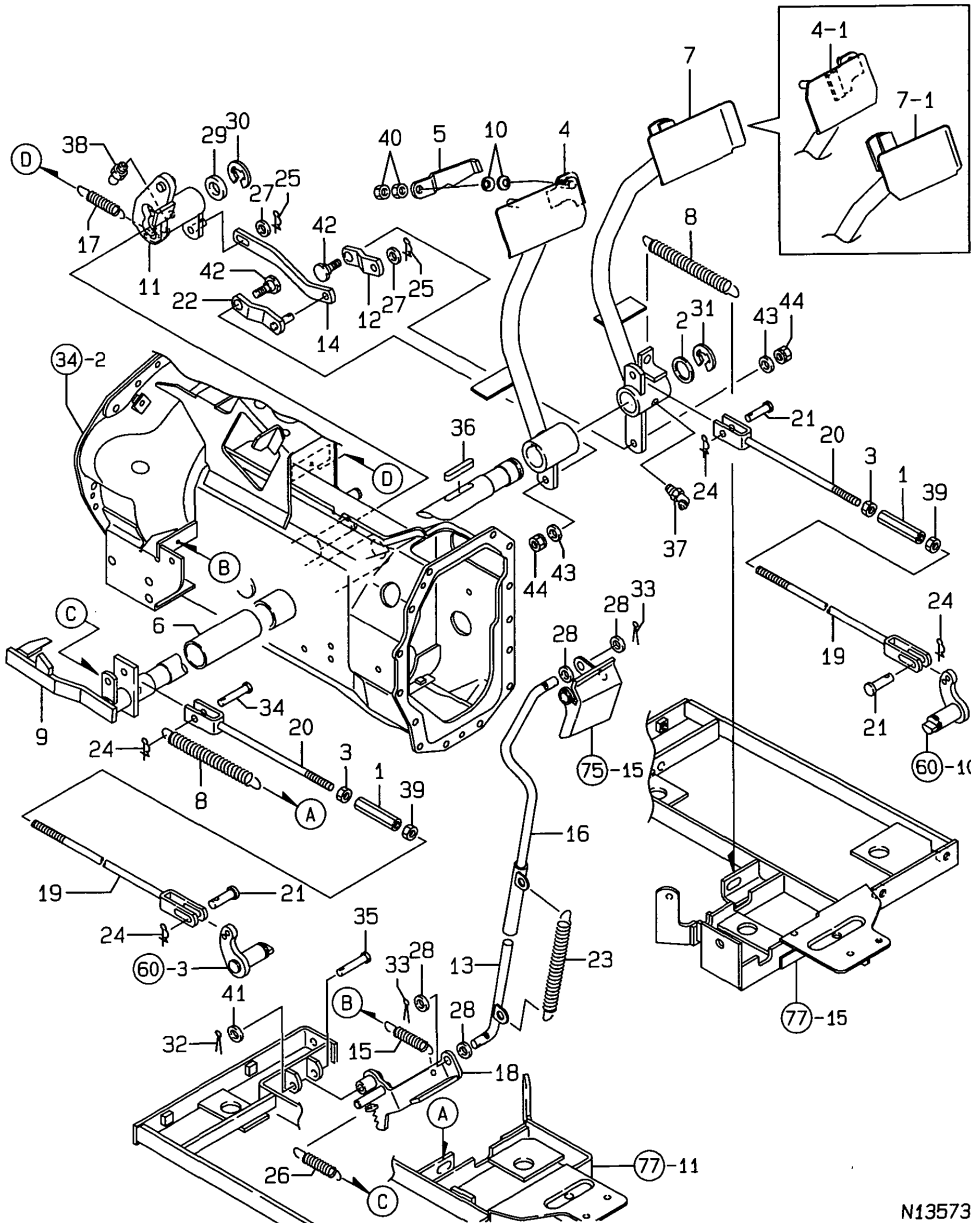


N135735

REF.	LEV.	PARTS NO.	DESCRIPTION	QTY						I	R	
				(A)	(B)	(C)	(D)	(E)	(F)			
1	1	198421-36310	ACTUATOR L	1								
2	1	198421-36321	PLATE 2.6P	2								
3	1	198165-36330	SHAFT L,CAM LEVER	1								
4	1	198421-36380	PLATE 116, FRICTION	2								
5	1	22242-000250	CIRCLIP 25S	1								
6	1	24190-160001	BALL 1/2	6								
7	1	198421-36321	PLATE 2.6P	2								
8	1	198421-36380	PLATE 116, FRICTION	2								
9	1	198421-36410	ACTUATOR (R)	1								
10	1	198165-36430	SHAFT R,CAM LEVER	1								
11	1	22242-000250	CIRCLIP 25S	1								
12	1	24190-160001	BALL 1/2	6								

61. BRAKE PEDAL

(A)=KE-200H (D)=
 (B)= (E)=
 (C)= (F)=

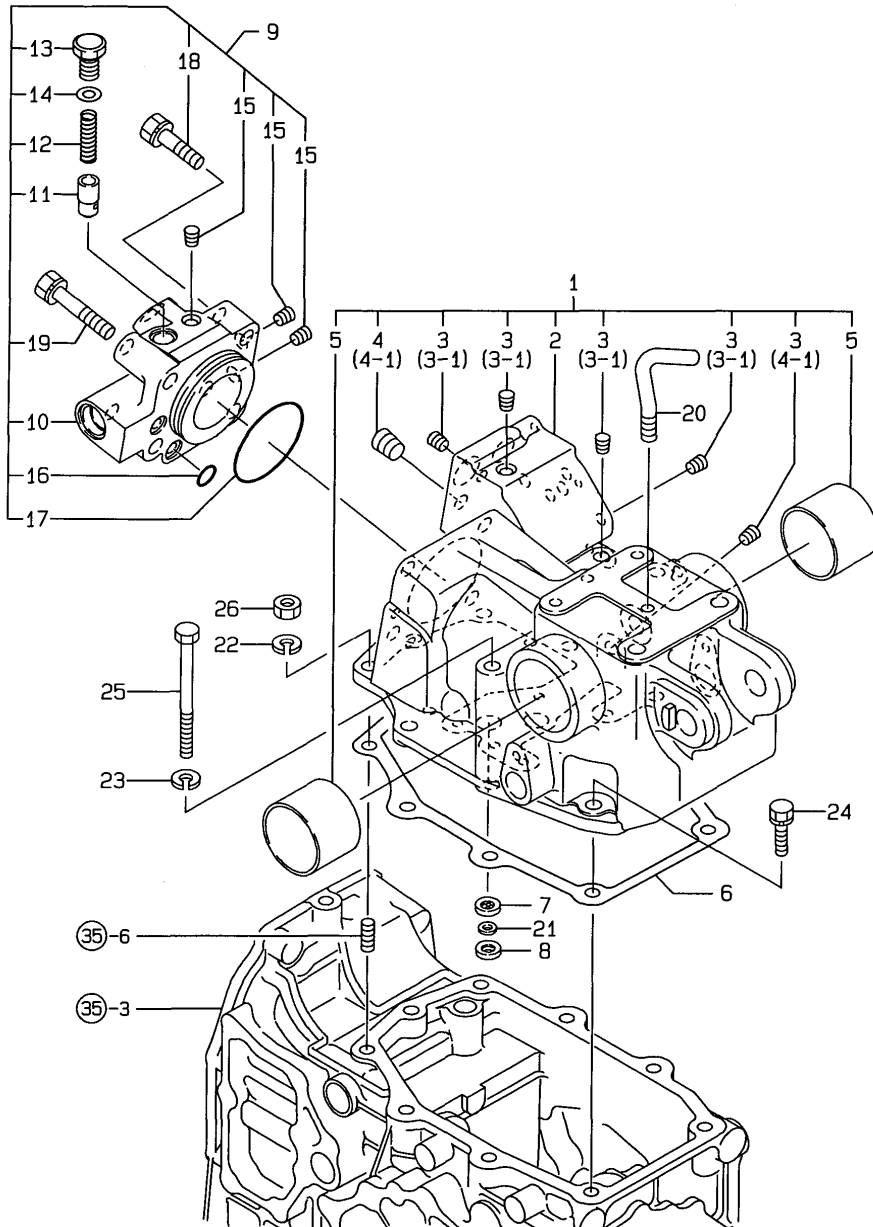


REF.	LEV.	PARTS NO.	DESCRIPTION	QTY						I	R
				(A)	(B)	(C)	(D)	(E)	(F)		
1	1	194740-00322	TURNBUCKLE	2							
2	1	1C6140-14050	SPACER 25.2X34X2	1							
3	1	194990-20170	NUT W/WASHER 8	2							
4	1	1A6640-37300	PEDAL L COMP.,BRAKE	1							
4-1	1	1A6641-37300	PEDAL L COMP.,BRAKE	1							S
(A=F130301)											
5	1	198165-37340	CONECTOR,BRAKE	1							
6	1	198167-37350	COLLAR 34*85	1							
7	1	1A6640-37400	PEDAL R COMP.,BRAKE	1							
7-1	1	1A6641-37400	PEDAL R COMP.,BRAKE	1							S
(A=F130301)											
8	1	198421-37511	SPRING,RETURN	2							
9	1	1A6640-37550	SHAFT CMP.,BRK.PEDAL	1							
10	1	194300-37570	SPRING, CONICAL	2							
11	1	1A6640-37600	RELELSE CMP.,CRUISE	1							
12	1	1A6640-37670	LINK ARM; CLUZU	1							
13	1	198165-37681	ROD B, P.BRAKE	1							
14	1	1A6640-37690	LINK B,CRUISE	1							
15	1	198165-37690	SPRING,B.LOCK LEVER	1							
16	1	1A6640-37700	ROD A,PARKING BRAKE	1							
17	1	198167-37711	SPRING,PARK LOCK	1							
18	1	1A6640-37760	LEVER CMP.,BRK.LOCK	1							
19	1	198165-37760	ROD R,BRAKE	2							
20	1	198165-37770	ROD L,BRAKE	2							
21	1	194080-37781	PIN 8X25	3							
22	1	1A6640-37650	LINK A COMPL;CLUZU	1							
23	1	198165-37840	SPRING,P.BRAKE	1							
24	1	1C6281-52320	PIN 8,COME-OFF SNAP	4							
25	1	1C6281-52320	PIN 8,COME-OFF SNAP	2							
26	1	1C6557-82600	SPRING 10X55	1							
27	1	22137-080000	WASHER 8, POLISHED	2							
28	1	22137-100000	WASHER 10,POLISHED	4							
29	1	22137-200000	WASHER 20,POLISHED	1							
30	1	22272-000150	CIRCLIP E-15	1							
31	1	22272-000190	CIRCLIP E-19	1							
32	1	22417-200250	COTTER PIN 2.0X25	1							
33	1	22417-250250	COTTER PIN 2.5X25	2							
34	1	22487-080400	PIN 8X 40	1							
35	1	22487-080400	PIN 8X 40	1							
36	1	22512-070400	KEY 7X 40	1							
37	1	24761-040000	NIPPLE B,GREASE	1							
38	1	24761-040000	NIPPLE B,GREASE	1							
39	1	26716-080002	NUT M 8	2							
40	1	26716-080002	NUT M 8	2							
41	1	22137-080000	WASHER 8, POLISHED	1							
42	1	1A6640-37640	BOLT M8	2							
43	1	22137-080000	WASHER 8, POLISHED	2							
44	1	26051-080002	NUT M 8	2							

N13573

62. HYDRAULIC CYLINDER CASE

(A)=KE-200H (D)=
 (B)= (E)=
 (C)= (F)=

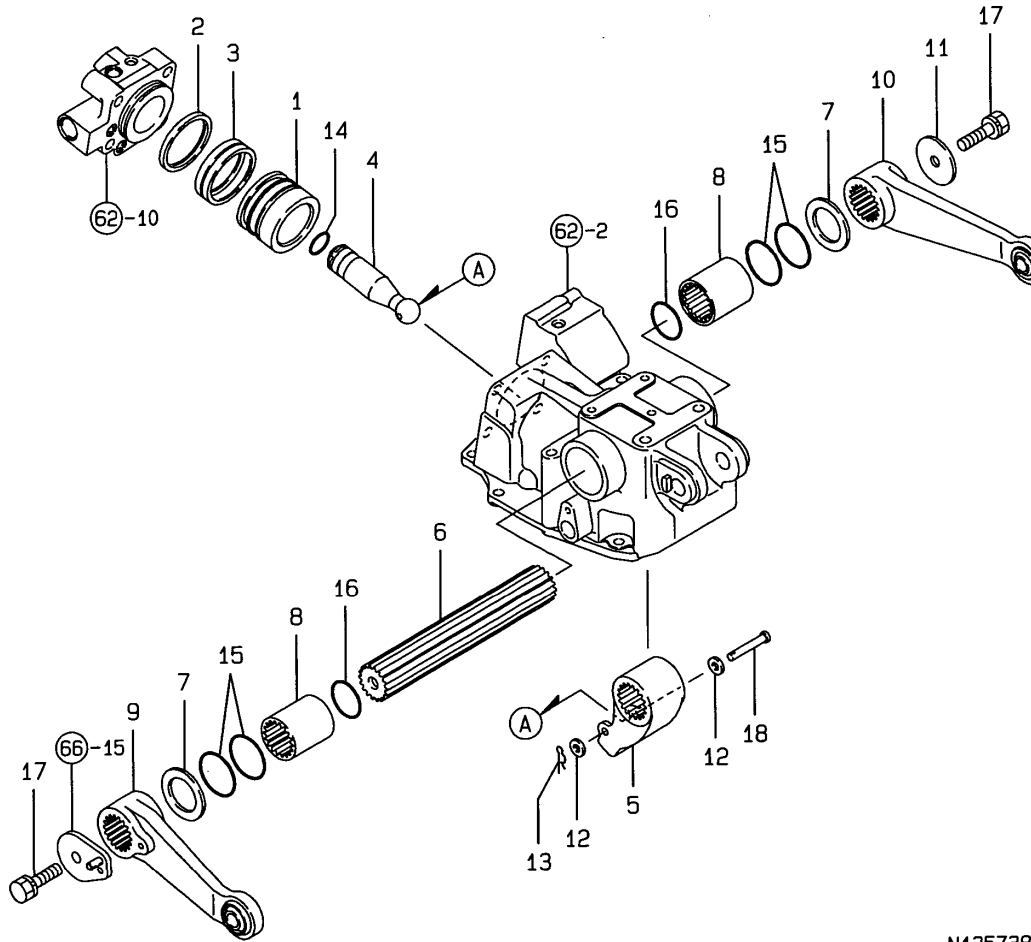


REF.	LEV.	PARTS NO.	DESCRIPTION	QTY						I	R
				(A)	(B)	(C)	(D)	(E)	(F)		
1	1	1A6640-42100	CASE CMP.,HYD.CYL.	1							
2	2	1A6640-42110	CASE,HYDRAULIC CYL.	1							
2-1	2	1A6640-42111	HOUSING, HYDRAULIC	1							N
(A=F120149)											
3	2	23871-010000	PLUG PT1/8,SCREW	5							
3-1	2	23871-010000	PLUG PT1/8,SCREW	4							K
(A=F120149)											
4	2	23871-020000	PLUG PT1/4,SCREW	1							
4-1	2	23871-020000	PLUG PT1/4,SCREW	2							K
(A=F120149)											
5	2	24550-050400	BUSH 50X40	2							
6	1	198165-42120	PACKING,CYLINDER	1							
7	1	194850-42180	STRAINER	2							
8	1	194850-42190	SPACER	2							
9	1	1A6640-42200	HEAD COMP.,CYLINDER	1							
10	2	1A6640-42210	HEAD,CYLINDER	1							
11	2	194310-46350	POPPET, CHECK	1							
12	2	194310-46380	SPRING	1							
13	2	194310-46730	PLUG 14	1							
14	2	23414-140018	GASKET 14	1							
15	2	23871-010000	PLUG PT1/8,SCREW	3							
16	2	24315-000110	O-RING 1B P-11.0	2							
17	2	24325-000650	O-RING 1B G-65.0	1							
18	2	26016-120452	BOLT M12X 45	2							
19	2	26016-120652	BOLT W/WASHER 12* 65	2							
20	1	194205-42280	PIPE, AIR BREATHER	1							
21	1	194630-43230	PACKING	2							
22	1	22217-100000	SPRING WASHER 10	4							
23	1	22217-100000	SPRING WASHER 10	2							
24	1	26016-100302	BOLT M10X 30	3							
25	1	26116-101202	BOLT M10X120 PLATED	2							
26	1	26716-100002	NUT 10	4							

N135737

63. PISTON & LIFT CRANK

(A)=KE-200H (D)=
 (B)= (E)=
 (C)= (F)=

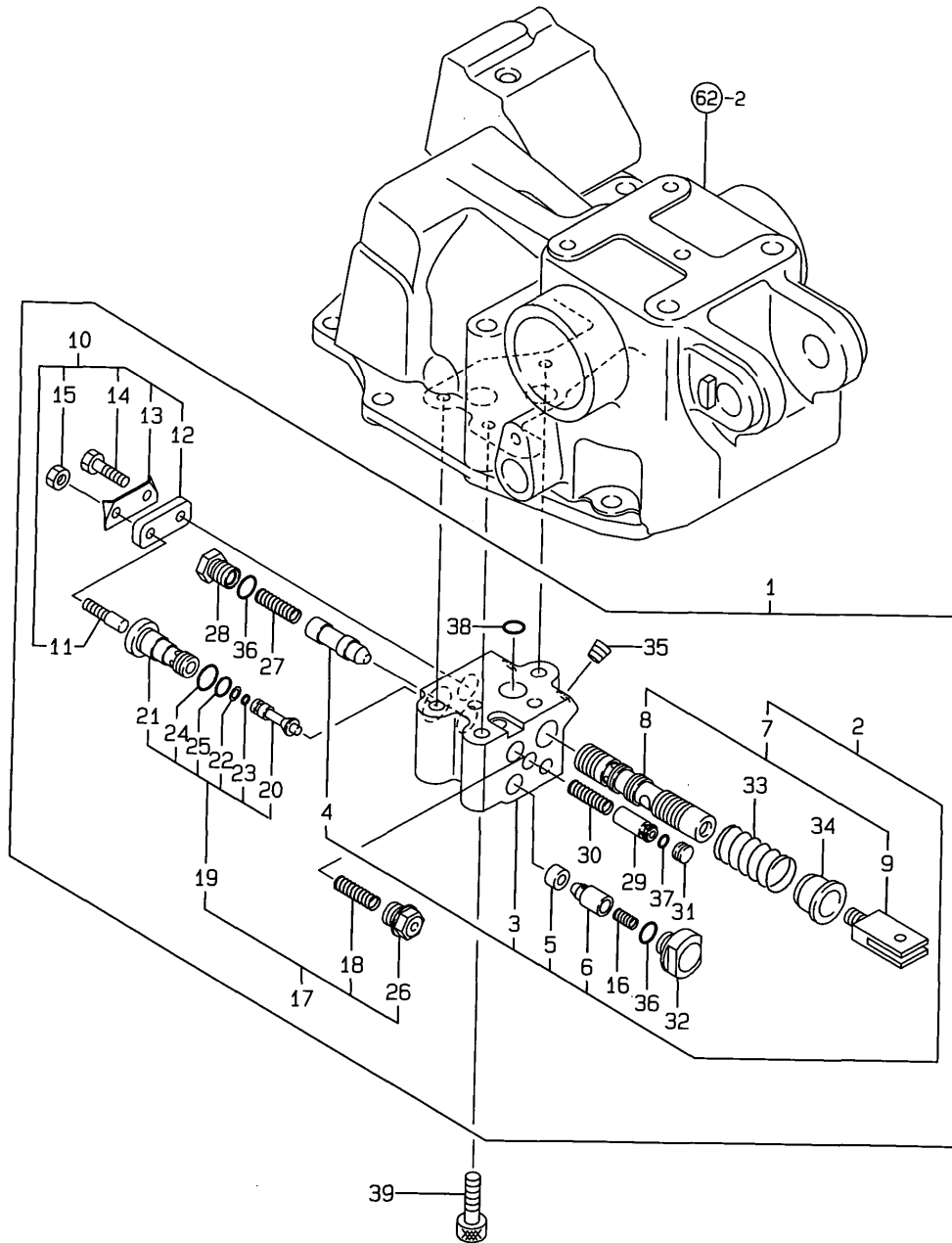


REF.	LEV.	PARTS NO.	DESCRIPTION	QTY						I	R
				(A)	(B)	(C)	(D)	(E)	(F)		
1	1	1A6640-43310	PISTON	1							
2	1	1A6640-43320	U-PACKING	1							
3	1	1A6640-43330	RING,WEAR	1							
4	1	1A6640-43410	ROD,PISTON	1							
5	1	1A6640-44110	CRANK,LIFT	1							
6	1	1A6640-44210	SHAFT,LIFT	1							
7	1	1A6640-44230	LINER 40X60X3	2							
8	1	1A6640-44250	SLEEVE,LIFT SHAFT	2							
9	1	1A6640-44410	ARM L COMP.,LIFT	1							
10	1	1A6640-44430	ARM R COMP.,LIFT	1							
11	1	1A6640-44530	PW 12.5X55X6	1							
12	1	22137-060000	WASHER 6, POLISHED	2							
13	1	22372-060000	SNAP PIN 6	1							
14	1	24311-000260	O-RING 1A P-26.0	1							
15	1	24321-000500	O-RING 1A G-50.0	4							
16	1	24341-000420	O-RING 1A S-42.0	2							
17	1	26013-120252	BOLT M12X 25	2							
18	1	22486-060500	PIN H 6X50,FLAT HEAD	1							

N135738

64. CONTROL VALVE

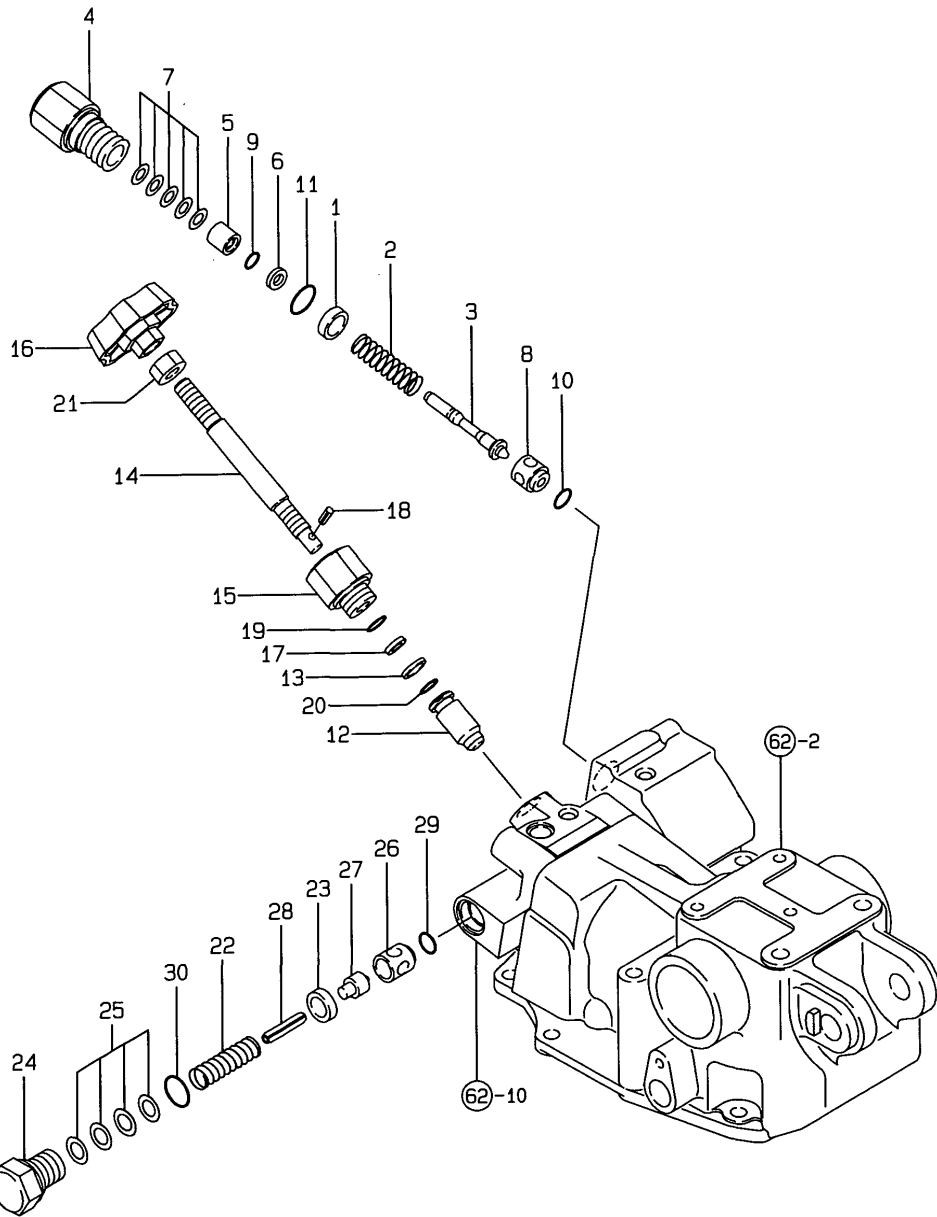
(A)=KE-200H (D)=
 (B)= (E)=
 (C)= (F)=



REF.	LEV.	PARTS NO.	DESCRIPTION	QTY						I	R
				(A)	(B)	(C)	(D)	(E)	(F)		
1	1	1A6640-45100	VALVE COMP.,CONTROL	1							
2	2	1A6640-45110	BODY COMP.,VALVE	1							
3	3	198435-45110	BODY,VALVE	1							
4	3	194170-45310	POPPET	1							
5	3	198435-45410	SEAT,L CHECK	1							
6	3	198435-45420	POPPET,L CHECK	1							
7	3	1A6640-45500	SPOOL COMP.	1							
8	4	1A6640-45530	SPOOL	1							
9	4	1A6640-45540	PIN,SPOOL	1							
10	2	1A6640-45210	BAR COMP.,PUSH	1							
11	3	194170-45220	BAR, PUSH	1							
12	3	194170-45550	BAR, SPOOL	1							
13	3	194170-45560	WASHER 12X40X0.6	1							
14	3	26116-060162	BOLT 6X16	1							
15	3	26756-060002	LOCK NUT 6	1							
16	2	1A6640-45230	VALVE,SP FLW.DIVID.	1							
17	2	1A6640-45150	M CHECK COMP.	1							
18	3	194170-45230	SPRING	1							
19	3	1A6640-45160	M CHECK SUB COMP.	1							
20	4	194170-45212	POPPET,M CHECK	1							
21	4	198435-45260	SEAT,M CHECK	1							
22	4	194170-45430	RING, BACK UP	1							
23	4	24311-000050	O-RING 1A P-5.0	1							
24	4	24311-000140	O-RING 1A P-14.0	1							
25	4	24341-000112	O-RING 1A S-11.2	1							
26	3	198421-45440	HOLDER, M.CHECK	1							
27	2	194170-45321	SPRING	1							
28	2	194850-45330	PLUG	1							
29	2	194170-45350	SPOOL	1							
30	2	194170-45360	SPRING	1							
31	2	194170-45370	PLUG	1							
32	2	194170-45440	PLUG	1							
33	2	194940-45520	SPRING,SPOOL	1							
34	2	1A6640-45560	SHOE,SPRING	1							
35	2	23871-010000	PLUG PT1/8,SCREW	2							
36	2	24311-000120	O-RING 1A P 12.0	2							
37	2	24315-000070	O-RING 1B P-7.0	1							
38	2	24315-000110	O-RING 1B P-11.0	1							
39	1	26450-080252	BOLT M 8X 25	3							

65. RELIEF VALVE

(A)=KE-200H (D)=
 (B)= (E)=
 (C)= (F)=

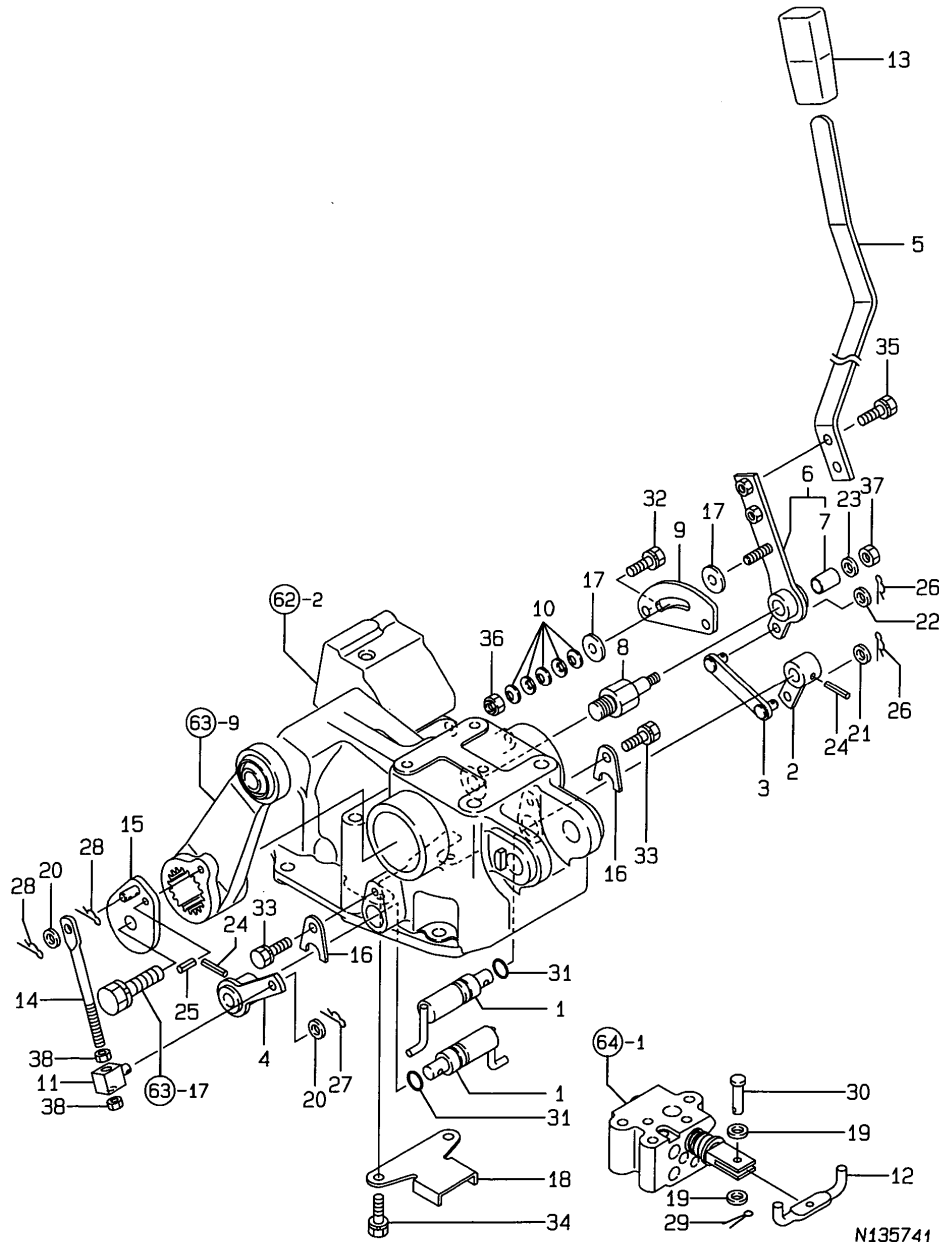


N135740

REF.	LEV.	PARTS NO.	DESCRIPTION	QTY						I	R
				(A)	(B)	(C)	(D)	(E)	(F)		
1	1	198220-45340	COLLAR, VALVE SEAT	1							
2	1	194170-45610	SPRING,RELIEF VALVE	1							
3	1	194195-45620	POPPET	1							
4	1	1A6640-45630	PLUG,RELIEF VALVE	1							
5	1	194195-45640	SEAT, SPRING	1							
6	1	194195-45650	WASHER	1							
7	1	194850-45700	SHIM PACK	1							
8	1	194195-46260	SEAT, RELIEF VALVE	1							
9	1	194850-49230	O-RING 6X1.8	1							
10	1	24311-000120	O-RING 1A P 12.0	1							
11	1	24311-000180	O-RING 1A P-18.0	1							
12	1	1A6640-46310	STOP VALVE	1							
13	1	1A6640-46320	RING P11,BACKUP	1							
14	1	1A6640-46620	BOLT,STOP	1							
15	1	194312-46630	HOLDER,VALVE (43)	1							
16	1	194555-46640	KNOB	1							
16-1	1	198220-46670	KNOB	1							N
(A=F110001)											
17	1	22117-080000	WASHER 8	1							
18	1	22351-040012	SPRING PIN 4X12	1							
19	1	24311-000120	O-RING 1A P 12.0	1							
20	1	24315-000110	O-RING 1B P-11.0	1							
21	1	26716-100002	NUT 10	1							
22	1	194150-45320	SPRING, RELIEF VALVE	1							
23	1	198220-45350	COLLAR	1							
24	1	198220-45370	PLUG, SAFETY VALVE	1							
25	1	198220-46400	SHIM PACK	1							
26	1	194640-46410	SEAT, SAFETY VALVE	1							
27	1	194640-46420	POPPET, SAFETY VALVE	1							
28	1	22351-060028	SPRING PIN 6X28	1							
29	1	24311-000120	O-RING 1A P 12.0	1							
30	1	24311-000180	O-RING 1A P-18.0	1							

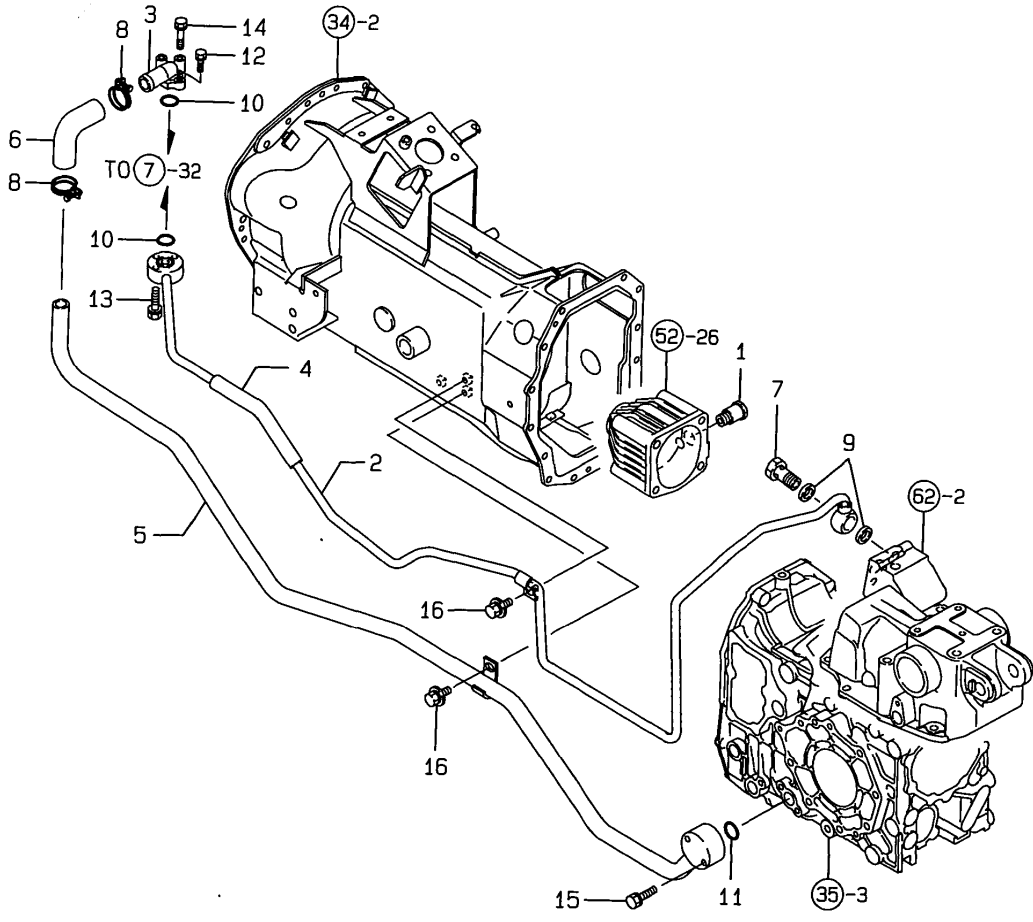
66. HYDRAULIC CONTROL

(A)=KE-200H (D)=
 (B)= (E)=
 (C)= (F)=



REF.	LEV.	PARTS NO.	DESCRIPTION	QTY						I	R
				(A)	(B)	(C)	(D)	(E)	(F)		
1	1	1A6640-47210	SHAFT, POS. CONT. COMP.	2							
2	1	1A6640-47260	ARM, P COMP.	1							
3	1	1A6640-47310	ROD, P COMP.	1							
4	1	1A6640-47350	ARM, F COMP.	1							
5	1	198165-47360	LEVER, P. CONTROL	1							
6	1	1A6640-47410	LEVER, P COMP.	1							
7	2	24550-012200	BUSH 12X20	1							
8	1	1A6640-47460	ROD, CONTROL	1							
8-1	1	1A6640-47461	ROD, CONTROL	1							N
(A=F120149)											
9	1	1A6640-47510	GUIDE, LEVER	1							
10	1	1A6640-47520	SPRING 8, BELLEVILLE	5							
11	1	194208-47530	ADJUSTER	1							
12	1	1A6640-47550	BAR	1							
13	1	194150-47621	KNOB	1							
14	1	1A6640-47630	ROD, POS. FEEDBACK	1							
15	1	1A6640-47650	ARM, PF COMP.	1							
16	1	1A6640-47710	PLATE A	2							
17	1	1A6640-47780	PLATE, FRICTION	2							
18	1	1A6640-47810	GUIDE	1							
19	1	22137-060000	WASHER 6, POLISHED	2							
20	1	22137-080000	WASHER 8, POLISHED	2							
21	1	22137-080000	WASHER 8, POLISHED	1							
22	1	22137-080000	WASHER 8, POLISHED	1							
23	1	22137-080000	WASHER 8, POLISHED	1							
24	1	22351-050025	SPRING PIN 5X25	2							
25	1	22351-060016	SPRING PIN 6X16	1							
26	1	22372-080000	SNAP PIN (JASO 8)	2							
27	1	22372-080000	SNAP PIN (JASO 8)	1							
28	1	22372-080000	SNAP PIN (JASO 8)	2							
29	1	22417-160160	COTTER PIN 1.6X16	1							
30	1	22486-060140	PIN 6X 14	1							
31	1	24311-000160	O-RING 1A P-16.0	2							
32	1	26016-080162	BOLT M 8X 16	2							
33	1	26016-080162	BOLT M 8X 16	2							
34	1	26016-080162	BOLT M 8X 16	2							
35	1	26016-080202	BOLT M 8X 20	2							
36	1	26346-080002	U-NUT M 8 PLATED	1							
37	1	26716-080002	NUT M 8	1							
38	1	26716-080002	NUT M 8	2							

67. HYDRAULIC PIPING



N135742

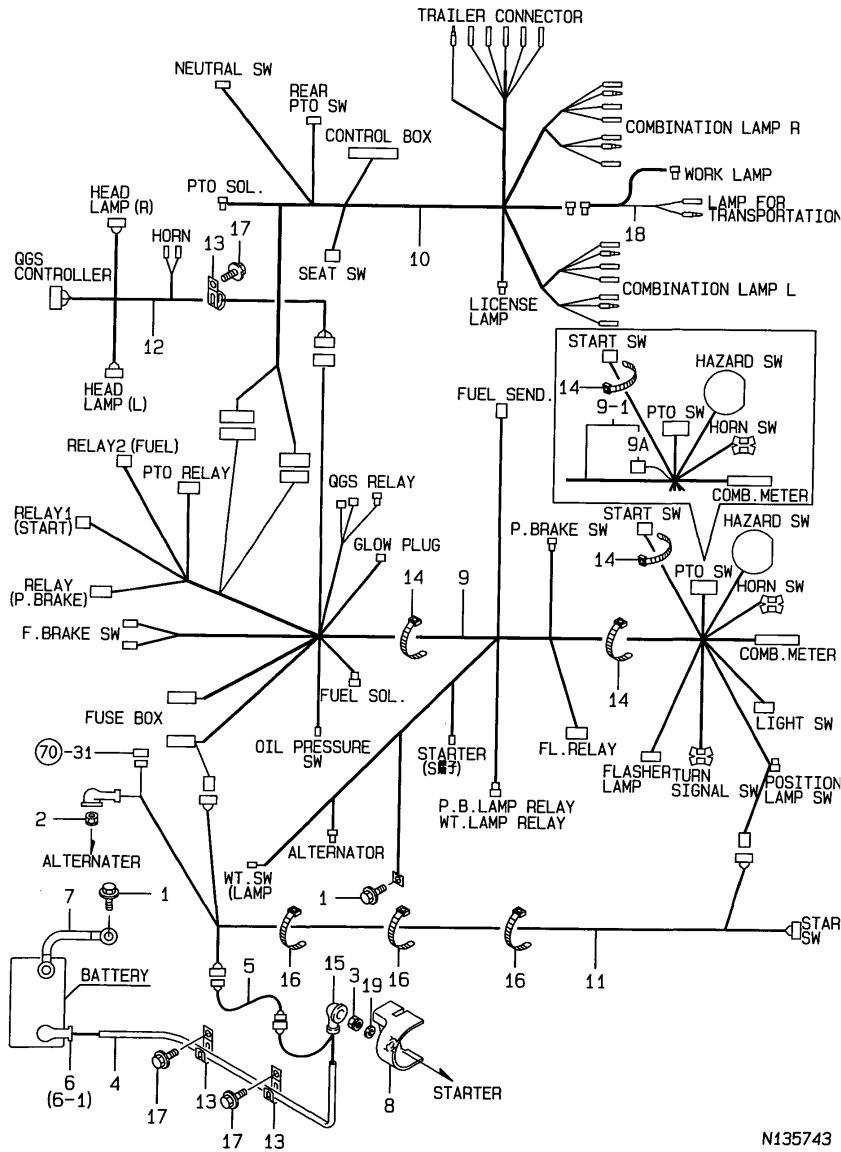
NPC-3932 67. HYDRAULIC PIPING

(A)=KE-200H (D)=
 (B)= (E)=
 (C)= (F)=

REF.	LEV.	PARTS NO.	DESCRIPTION	QTY						I	R
				(A)	(B)	(C)	(D)	(E)	(F)		
1	1	198167-29910	ADAPTER	1							
2	1	1A6640-48110	PIPE,HI-PRESSURE	1							
3	1	198220-48140	FLANGE	1							
4	1	198165-48270	TUBE	1							Z
5	1	198167-48320	LINE, SUCTION	1							
		(A=F120259)									
6	1	198167-48340	HOSE	1							
7	1	198361-48750	CONNECTOR BOLT ASSY	1							
8	1	23010-030000	CLAMP 30	2							
9	1	23414-200026	GASKET 20	2							
10	1	24311-000200	O-RING 1A P-20.0	2							
11	1	24311-000220	O-RING 1A P-22.0	1							
12	1	26013-060202	BOLT M 6X 20	1							
13	1	26013-060302	BOLT M 6X 30	3							
14	1	26013-060402	BOLT M 6X 40	2							
15	1	26013-080452	BOLT M 8X 45	2							
16	1	26018-080202	BOLT M 8X 20	2							

68. WIRE HARNESS

(A)=KE-200H (D)=
 (B)= (E)=
 (C)= (F)=



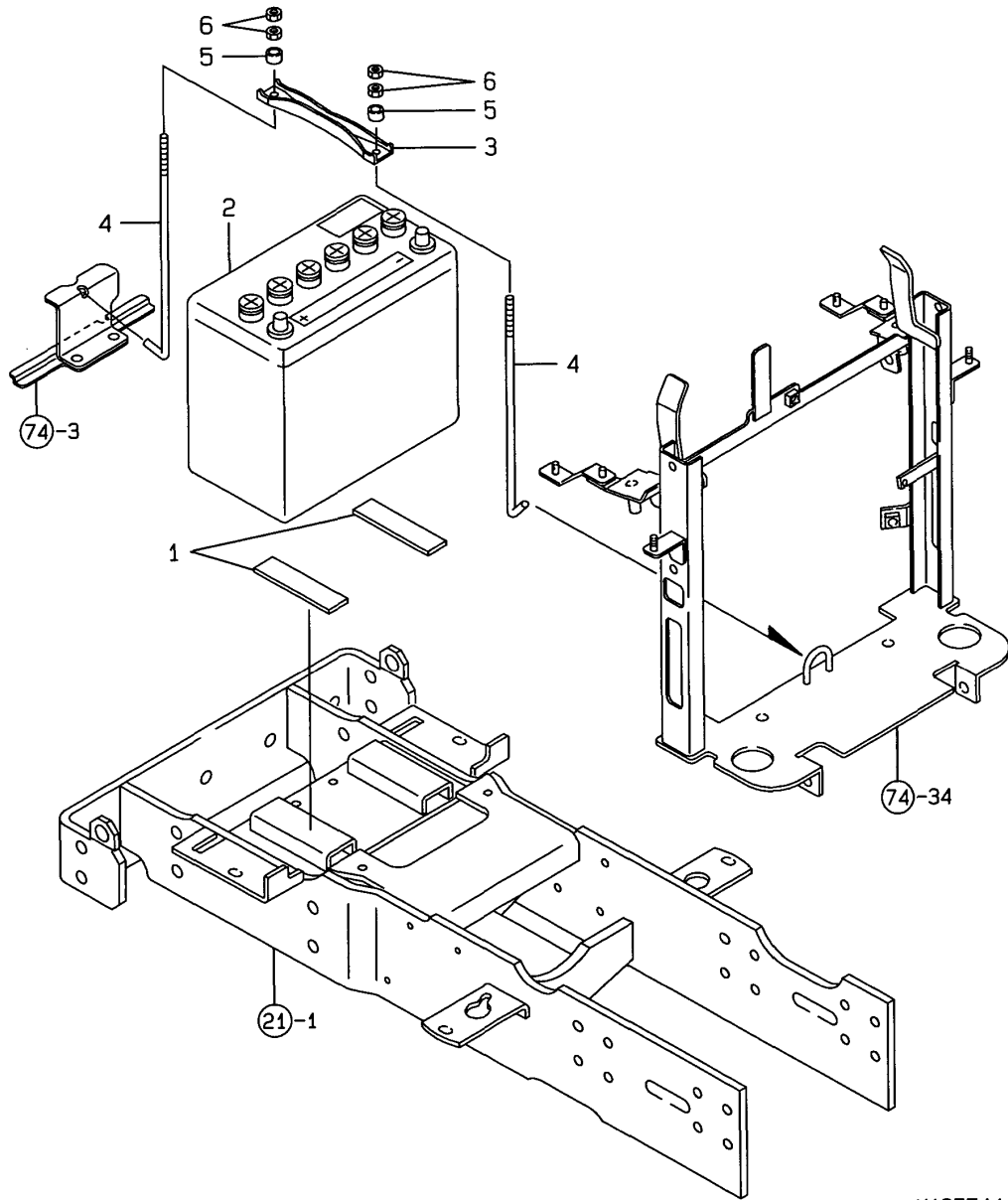
N135743

Remarks
 (1) STARTER SIDE RUBBER CAP
 REF NO.6 NOT CAP, 6-1 ON TO CAP

REF.	LEV.	PARTS NO.	DESCRIPTION	QTY						I	R
				(A)	(B)	(C)	(D)	(E)	(F)		
1	1	1C6560-06300	BOLT M8X16,EARTH	2							
2	1	194990-22040	NUT W/WASHER 6	1							
3	1	194990-22050	NUT W/WASHER 8	1							
4	1	198165-48270	TUBE	1							Z
		(A=F120101)									
5	1	194312-51220	LINK, FUSIBLE	1							
6	1	198165-51411	CABLE, BATTER PLUS	1							
6-1	1	1A6780-51410	CABLE, BATTERY	1							S 1
		(A=F130456)									
7	1	198165-51421	CABLE, BATTER EARTH	1							
8	1	198165-51450	COVER	1							
9	1	1A6640-51510	HARNESS A,WIRE	1							
9-1	1	1A6641-51510	HARNESS A,WIRE	1							S
		(A=F130456)									
9A	2	198165-51130	DIODE 3A	1							W
		(A=F130456)									
10	1	1A6640-51520	HARNESS B,WIRE	1							
11	1	198165-51550	HANESS P,WIRE	1							
12	1	198165-51570	HANESS E,WIRE	1							
13	1	194440-51620	CLAMP, WIRE HARNESS	4							
14	1	194250-51660	BAND 250	4							
15	1	124160-77020	COVER, TERMINAL	1							Z
		(A=F130301)									
16	1	1E6102-84970	BAND 140,WIRE LOCK	7							
17	1	26013-080122	BOLT M 8X 12	3							
18	1	1A6640-51530	HARNESS,WARE C(E)	1							W
		(A=F120101)									
19	1	22137-080000	WASHER 8, POLISHED	1							W
		(A=F130456)									

69. BATTERY

(A)=KE-200H (D)=
 (B)= (E)=
 (C)= (F)=

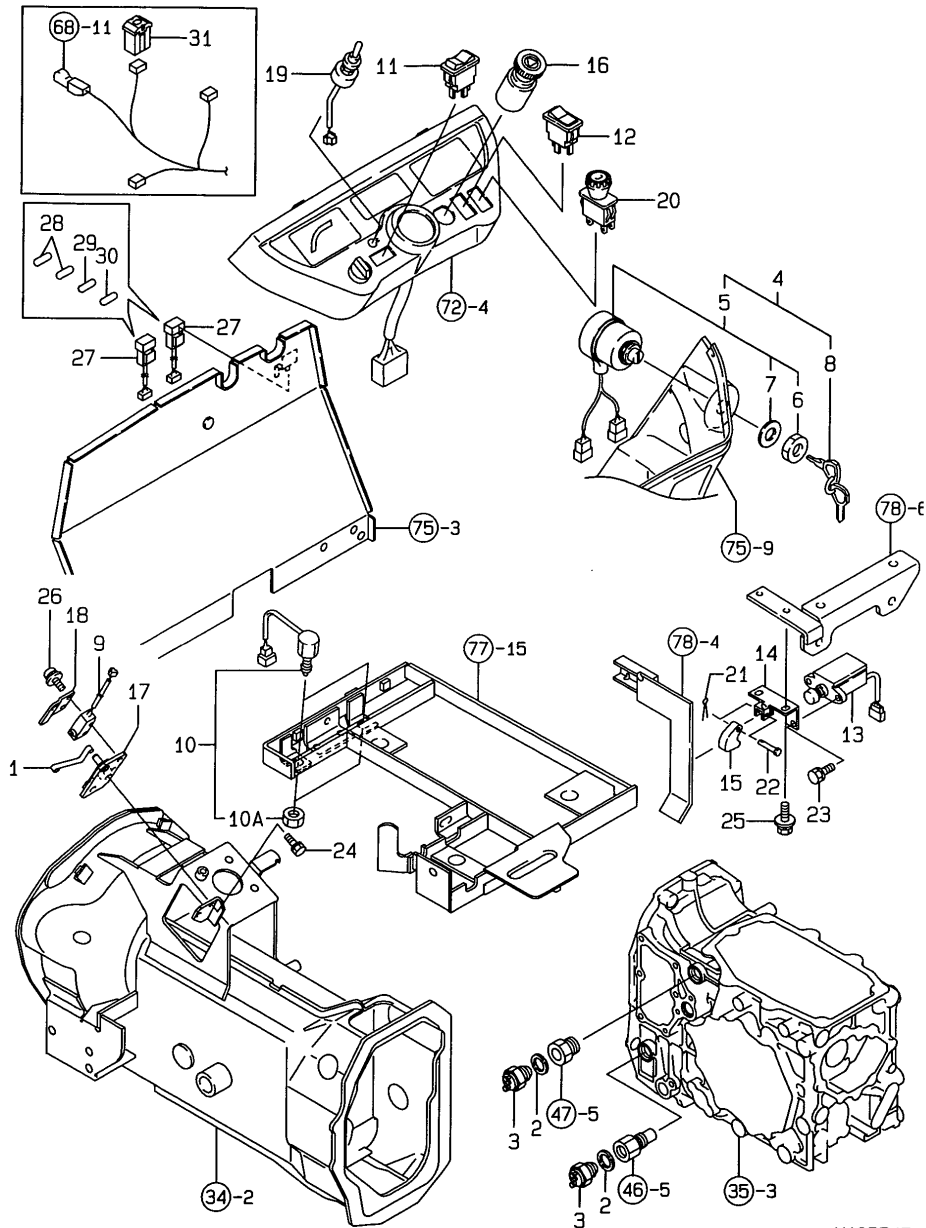


REF.	LEV.	PARTS NO.	DESCRIPTION	QTY						I	R	
				(A)	(B)	(C)	(D)	(E)	(F)			
1	1	198165-04380	RUBBER, 100X25X3		2							
2	1	198165-51310	BATTERY, 55B24R(S)		1							
3	1	198165-58010	CLAMP, BATTERY		1							
4	1	198165-58120	ROD, BATTERY CLAMP		2							
5	1	198165-58130	COLLAR(10.5X13)		2							
6	1	26716-060002	NUT 6		4							

N135744

70. SWITCHES

(A)=KE-200H (D)=
 (B)= (E)=
 (C)= (F)=

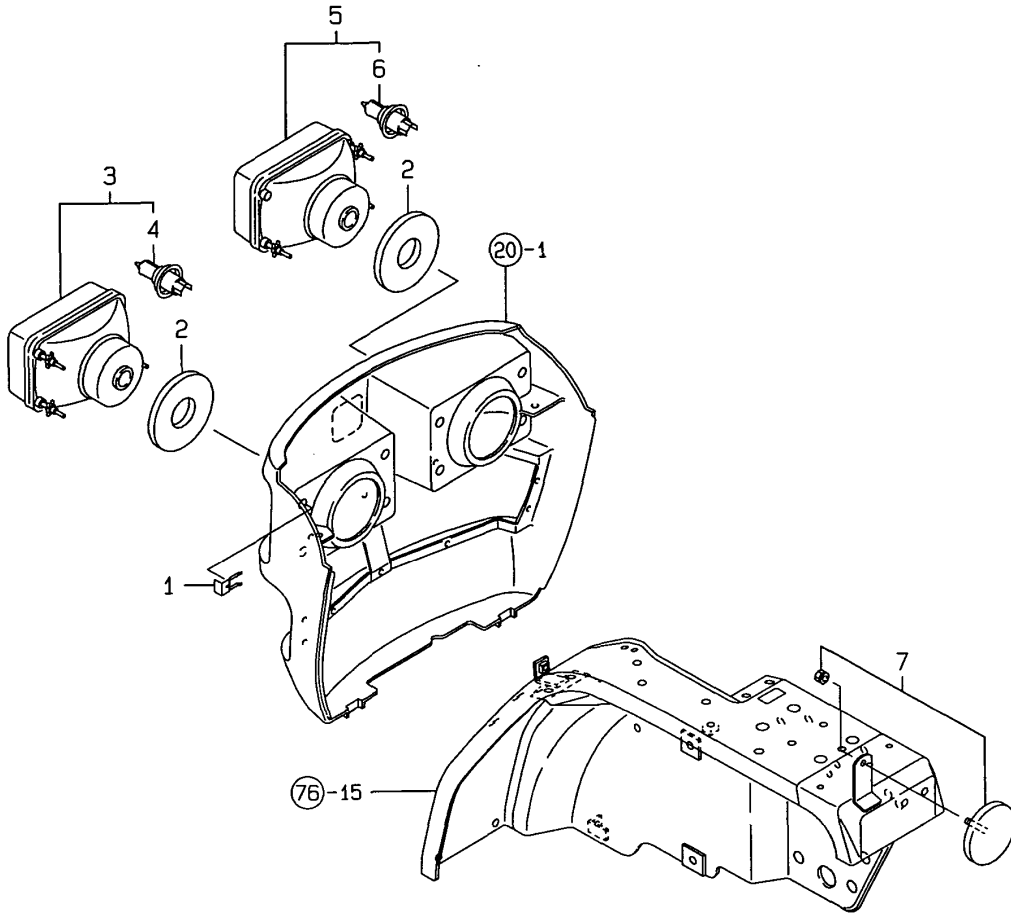


N135745

REF.	LEV.	PARTS NO.	DESCRIPTION	QTY						I	R
				(A)	(B)	(C)	(D)	(E)	(F)		
1	1	1C6460-07510	SPRING,SENSOR	1							
2	1	194850-49290	PACKING 6-1	2							
3	1	198165-50110	SWITCH,NEUTRAL	2							
4	1	198162-52110	SWITCH, STARTING	1							
5	2	194940-52150	BODY COMP,STR.SWITCH	1							
6	3	198360-52320	NUT,RING	1							
7	3	198360-52330	WASHER	1							
8	2	198162-52150	KEY ASSY	1							
9	1	198165-52140	SWITCH, P. BRAKE	1							
10	1	198223-52150	SWITCH,BRAKE LAMP	2							
10A	2	26776-120002	LOCK NUT M12 PLATED	2							
11	1	198165-52200	SWITCH,TURN	1							
12	1	198165-52250	SWITCH,HORN	1							
13	1	198220-52300	SWITCH,SEAT	1							
14	1	198223-52330	BRACKET,SEAT SWITCH	1							
15	1	198223-52340	CAM,SEAT SWITCH	1							
16	1	198223-52400	SWITCH	1							
17	1	1A6640-52420	STAY,SWITCH	1							
18	1	1A6640-52430	PLATE,GUIDE	1							
19	1	198223-52510	SWITCH	1							
20	1	198167-52600	SWITCH,P.T.O.	1							
21	1	22417-120100	COTTER PIN 1.2X10	1							
22	1	22487-040200	PIN 4X 20	1							
23	1	26016-060122	BOLT M 6X 12	2							
24	1	26016-060162	BOLT M 6X 16	2							
25	1	26018-060122	BOLT M 6X 12	2							
26	1	26023-030202	SCREW	2							
27	1	1C6740-06250	BLOCK 4PB,FUSE	2							
28	2	29420-100000	HUSE	4							
29	2	29420-150000	HUSE	2							
30	2	29420-200000	HUSE	2							
31	1	198165-51160	FUSE 80A	1							

71. LAMPS

(A)=KE-200H (D)=
 (B)= (E)=
 (C)= (F)=

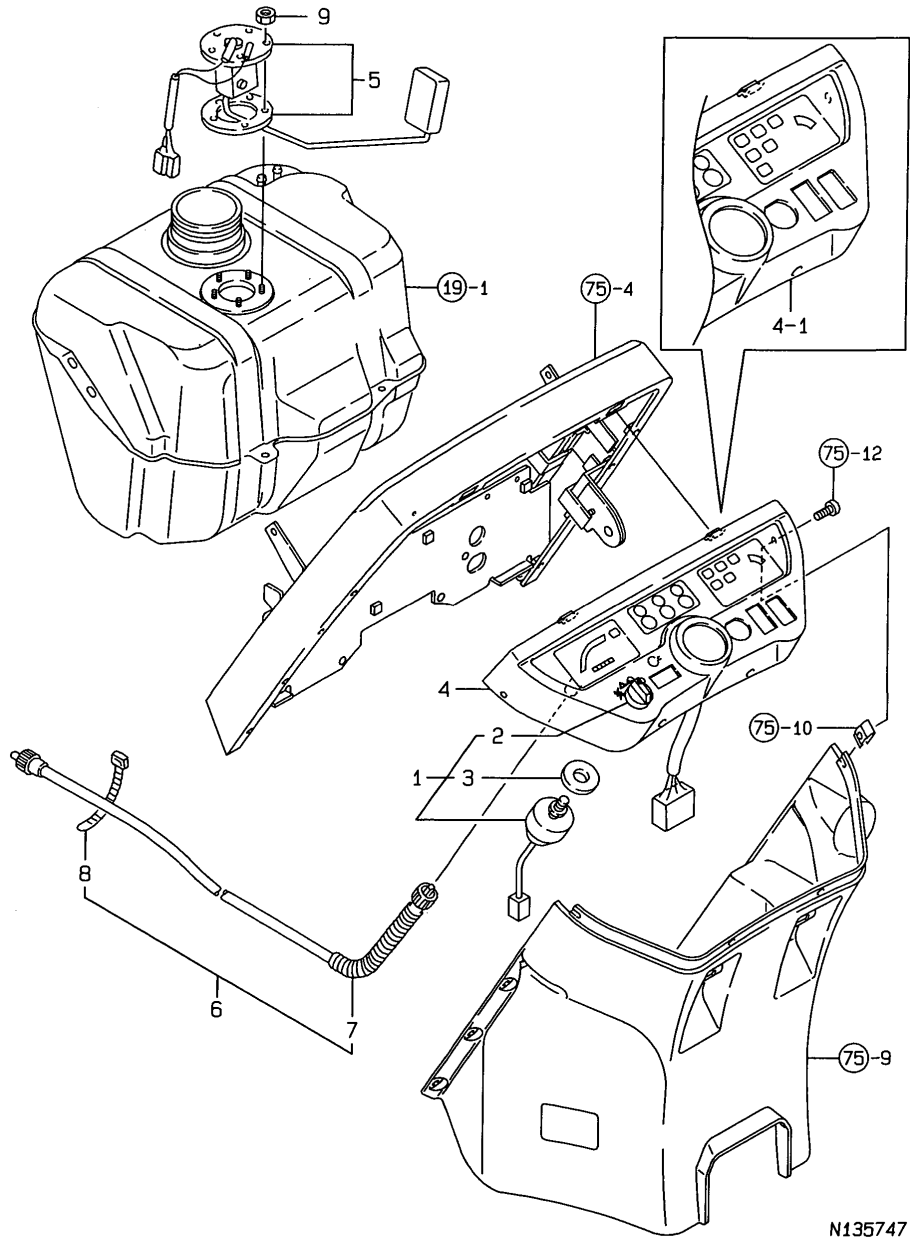


N135746

REF.	LEV.	PARTS NO.	DESCRIPTION	QTY						I	R
				(A)	(B)	(C)	(D)	(E)	(F)		
1	1	198165-53140	CLIP,HEADLIGHT		6						
2	1	198165-53190	BAFFLE, HEAD LIGHT		2						
3	1	198165-53510	LAMP L		1						
4	2	198165-53530	BULB		1						
5	1	198165-53520	LAMP R		1						
6	2	198165-53530	BULB		1						
7	1	198223-57110	REFLECTOR		2						

72. METER

(A)=KE-200H (D)=
 (B)= (E)=
 (C)= (F)=

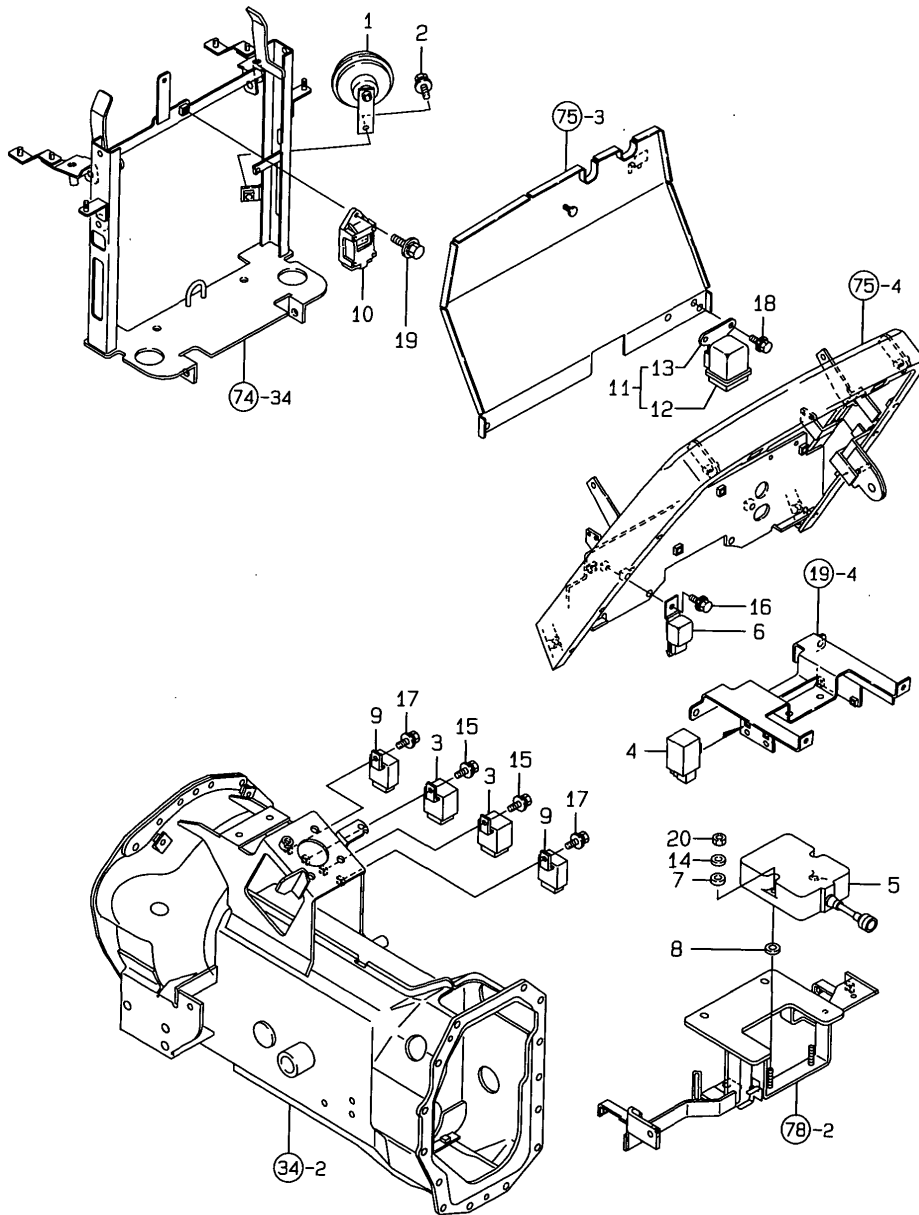


N135747

REF.	LEV.	PARTS NO.	DESCRIPTION	QTY						I	R
				(A)	(B)	(C)	(D)	(E)	(F)		
1	1	198165-52100	SWITCH,CMP LIGHTING	1							
2	2	198165-52110	KNOB	1							
3	2	198165-52120	SEAL	1							
4	1	198167-56300	PANEL,CMP INSTRUMENT	1							
4-1	1	1A6781-56300 (A=F130456)	PANEL CMP	1							S
5	1	198165-56610	SENDER,UNIT FUEL	1							
6	1	198165-56900	CABLE,COMP	1							
7	2	198165-56920	CABLE, HOUR-METER	1							
8	2	1E6102-84970	BAND 140,WIRE LOCK	1							
9	1	26716-040002	NUT M 4	5							

73. HORN & RELAY

(A)=KE-200H (D)=
 (B)= (E)=
 (C)= (F)=

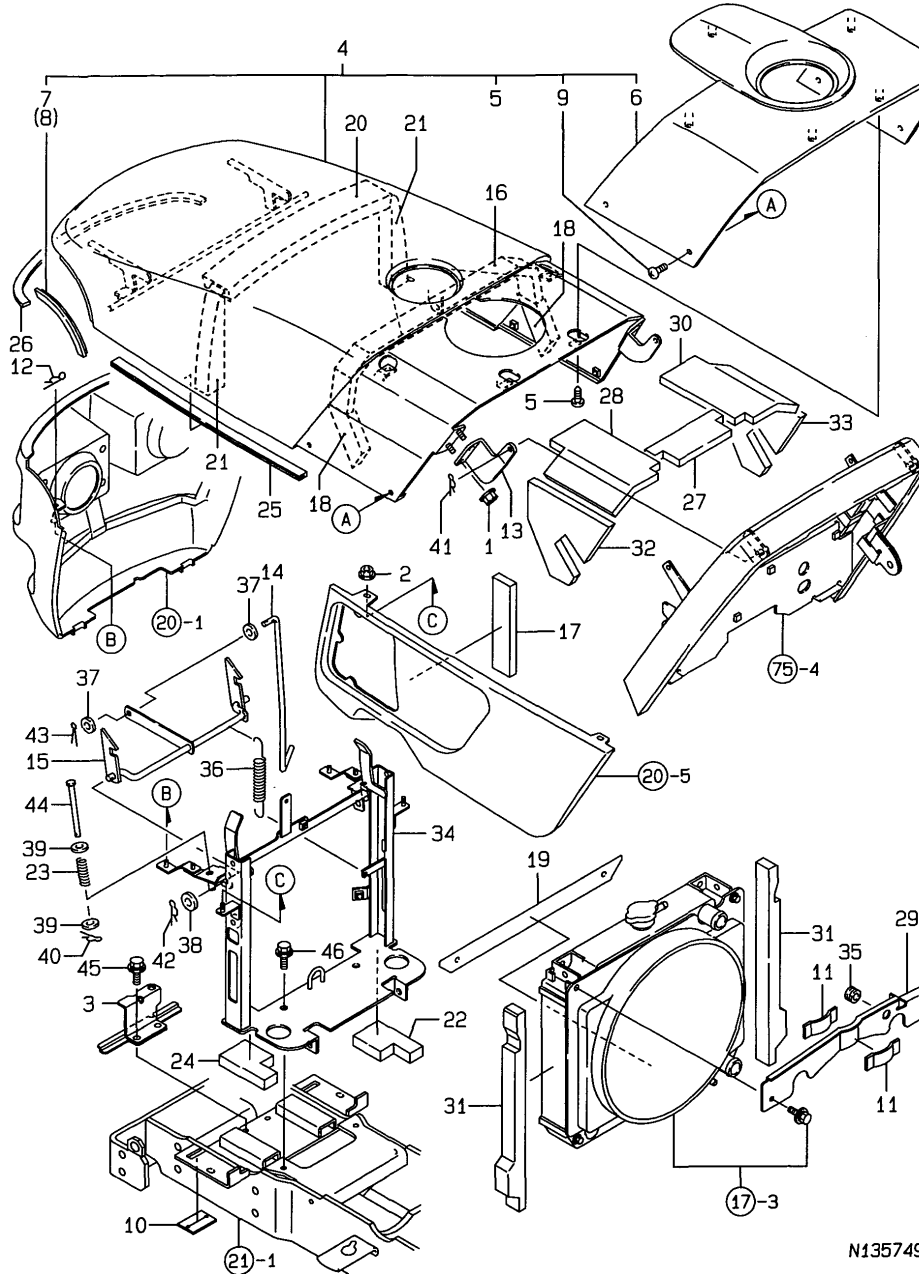


REF.	LEV.	PARTS NO.	DESCRIPTION	QTY						I	R
				(A)	(B)	(C)	(D)	(E)	(F)		
1	1	198223-57100	HORN	1							
2	1	26018-080202	BOLT M 8X 20	1							
3	1	198220-52180	RELAY, STARTER	2							
4	1	198165-52500	UNIT, HAZARD	1							
5	1	198165-52600	CONTROLLER, CHAIN	1							
6	1	198223-57200	RELAY, FLASHER	1							
7	1	194151-57210	SPACER	2							
8	1	194420-62260	RUBBER, CUSHION	2							
9	1	119247-77100	RELAY, SAFETY	2							
10	1	119650-77902	CONTROLLER	1							
11	1	119650-77910	RELAY, GROW	1							
12	2	129052-77920	BODY, RELAY	1							
13	2	119650-77930	BRACKET, RELAY	1							
14	1	22137-060000	WASHER 6, POLISHED	2							
15	1	26018-060162	BOLT M6X16	2							
16	1	26018-060162	BOLT M6X16	1							
17	1	26018-060162	BOLT M6X16	2							
18	1	26018-060162	BOLT M6X16	2							
19	1	26018-060202	BOLT M 6X 20	1							
20	1	26986-060002	LOCK NUT 6	2							

N135748

74. BONNET

(A)=KE-200H (D)=
 (B)= (E)=
 (C)= (F)=



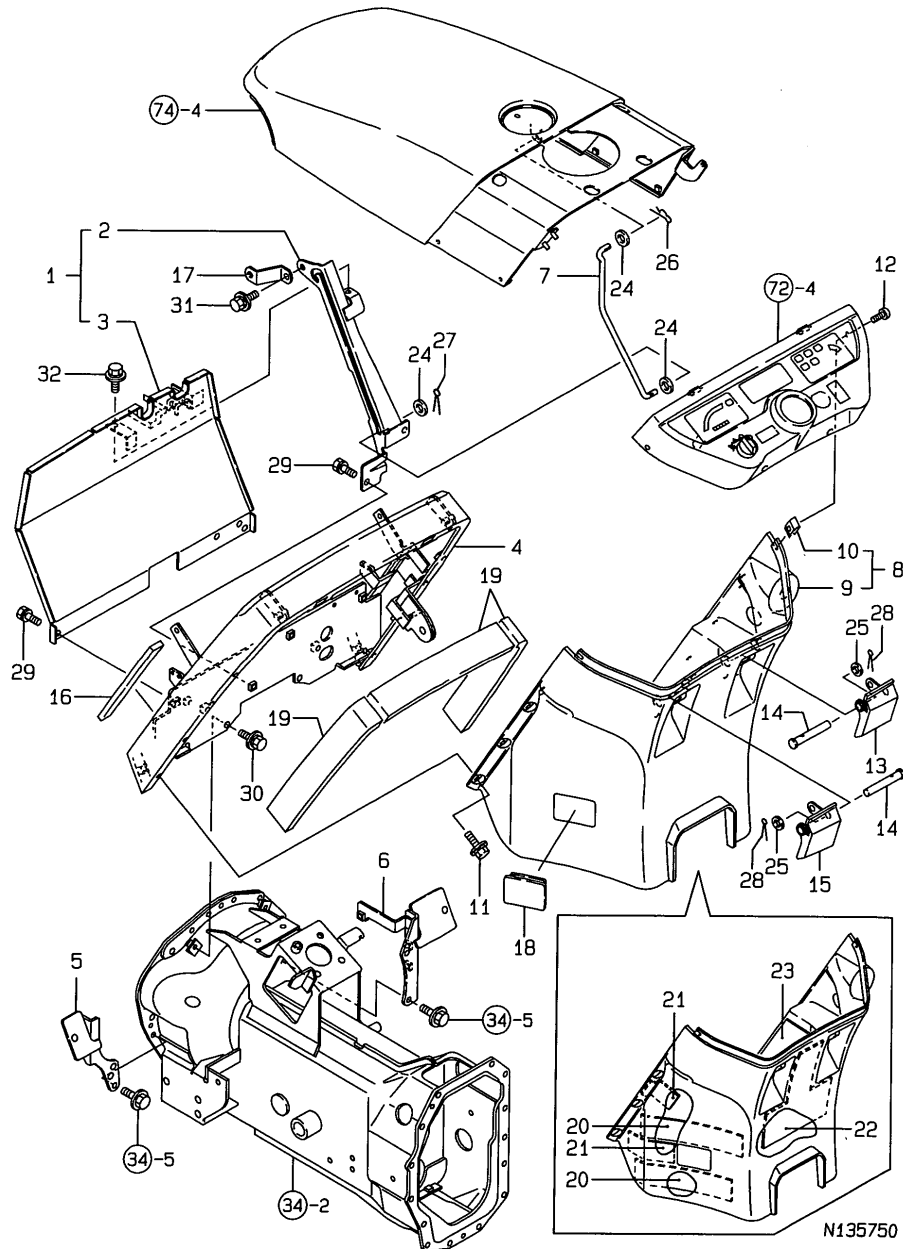
N13574C

REF.	LEV.	PARTS NO.	DESCRIPTION	QTY						I	R
				(A)	(B)	(C)	(D)	(E)	(F)		
1	1	194990-22130	NUT W/WASHER 6		2						
2	1	194990-22130	NUT W/WASHER 6		2						
3	1	198165-58110	ROD STAY CMP		1						
4	1	1A6640-61100	BONNET KIT		1						
5	2	1C6650-37480	SCREW M6X16,TAPPING		5						
6	2	1A6640-61300	EXT.COMP.,BONNET		1						
7	2	1A6640-61450	SEAL L,BONNET SIDE		1						
8	2	1A6640-61460	SEAL R,BONNET SIDE		1						
9	2	26589-060162	SCREW M6,BINDING		4						
10	1	198165-61200	SEAL		2						
11	1	198162-61370	SEAL E,LADIATOR		2						
12	1	198165-61400	PIN		2						
13	1	198162-61410	HINGE L,BONNET		1						
14	1	198165-61441	LINK, CATCH		1						
15	1	198165-61451	CATCH,CMP BONNET		1						
16	1	198421-61470	FOAMS,BONNET URETHAN		1						
17	1	198421-61510	FOAM,SUC.PIPE URETHN		2						
18	1	198421-61540	WASHER 6		2						
19	1	198165-61780	PLATE M, SEAL		1						
20	1	198165-61810	SEAL,BONNET UPPER		1						
21	1	1A6640-61820	SEAL,BONNET SIDE		2						
22	1	198165-61840	SEAL, SUPPORT (R)		1						
23	1	198165-61850	SPRING, BONNET		2						
24	1	198165-61860	SEAL, SUPPORT (L)		1						
25	1	1A6640-61870	SEAL,BONNET		2						
26	1	1A6640-61880	SEAL 15X5X450		1						
27	1	1A6640-61900	MATERIAL A,SOUNDPRF.		1						
28	1	1A6640-61910	MATERIAL B,SOUNDPRF.		1						
29	1	198165-61910	PLATE,WIND-CUT UPPER		1						
30	1	1A6640-61920	MATERIAL B,SOUNDPRF.		1						
31	1	198165-61920	SEAL,RADIATOR SIDE A		2						
32	1	1A6640-61930	MATERIAL C,SOUNDPRF.		1						
33	1	1A6640-61940	MATERIAL C,SOUNDPRF.		1						
34	1	1A6640-64310	STAY COMP.,SUPPORT		1						
35	1	172026-81740	GROMMET 16X22X8		1						
36	1	1C6360-82210	SPRING,MARKER LOCK		1						
37	1	22137-080000	WASHER 8, POLISHED		2						
38	1	22137-100000	WASHER 10,POLISHED		1						
39	1	22157-060000	WASHER 6		4						
40	1	22372-060000	SNAP PIN 6		2						
41	1	22372-080000	SNAP PIN (JASO 8)		1						
42	1	22372-100000	SNAP PIN 10		1						
43	1	22417-200160	COTTER PIN 2.0X16		1						
44	1	22487-060800	PIN		2						
45	1	26018-080162	BOLT M 8X 16		2						
46	1	26018-080202	BOLT M 8X 20		4						

75. DASH BOARD

NPC-3932 75. DASH BOARD

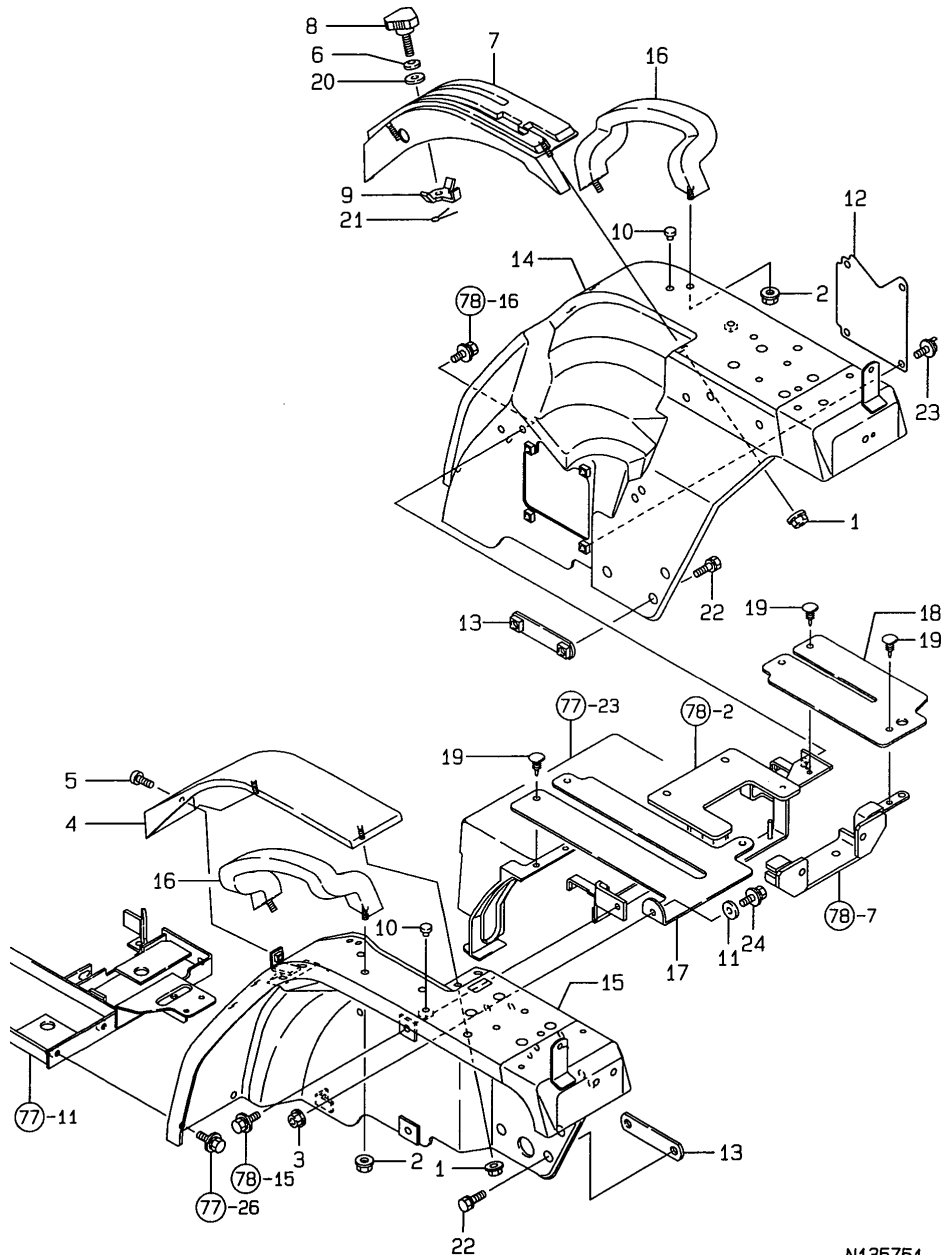
(A)=KE-200H (D)=
 (B)= (E)=
 (C)= (F)=



REF.	LEV.	PARTS NO.	DESCRIPTION	QTY						I	R
				(A)	(B)	(C)	(D)	(E)	(F)		
1	1	198165-61040	PLATE KIT(E)	1							
2	2	198165-61562	SUPPORT	1							
3	2	198165-64570	PLAT,AIR-CUT	1							
4	1	198165-61501	STAY,DASH-BORD	1							
5	1	198165-61531	BRACKET L,DASHBORD	1							
6	1	198165-61541	BRACKET R,DASHBORD	1							
7	1	198165-61550	ROD,BONNET	1							
8	1	198167-61600	DASHBORD,CMP	1							
9	2	198165-61610	DASHBORD	1							
10	2	194167-61650	NUT 5008	4							
11	1	198421-61620	BOLT 6X20	8							
12	1	194145-61640	SCREW M 5X 16	4							
13	1	198167-61660	CONTROL LEVER,CRUZE	1							
14	1	198162-61670	PIN	2							
15	1	198167-61680	LEVER,PARKING LEVER	1							
16	1	198165-61790	SEAL	2							
17	1	198165-61830	STAY, SUPPORT	1							
18	1	194802-62310	CAP, RUBBER	1							
19	1	198165-64050	SEAL A	3							
20	1	198165-64060	SEAL B	2							
21	1	198165-64070	SEAL C	2							
22	1	198165-64250	SEAL D	1							
23	1	198165-64260	SEAL E	1							
24	1	22137-080000	WASHER 8, POLISHED	3							
25	1	22137-120000	WASHER 12,POLISHED	2							
26	1	22372-080000	SNAP PIN (JASO 8)	1							
27	1	22417-200200	COTTER PIN 2.0X20	1							
28	1	22417-250320	COTTER PIN 2.5X 32	2							
28-1	1	22417-200320	COTTER PIN 2.0X32	2							N
(A=F120259)											
29	1	26016-080162	BOLT M 8X 16	4							
30	1	26018-080202	BOLT M 8X 20	2							
31	1	26018-080202	BOLT M 8X 20	2							
32	1	26018-080202	BOLT M 8X 20	1							

76. FENDER

(A)=KE-200H (D)=
 (B)= (E)=
 (C)= (F)=

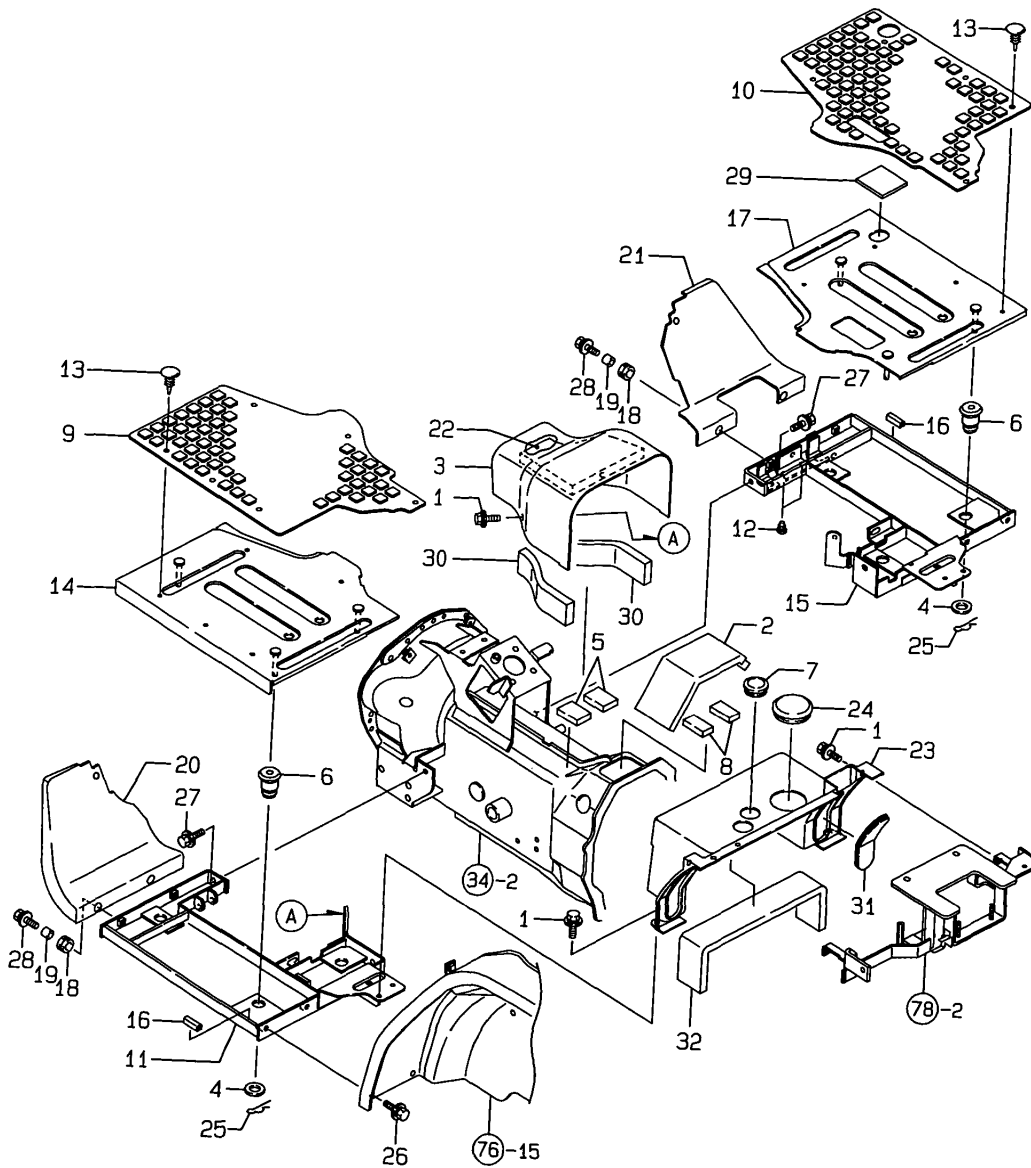


N135751

REF.	LEV.	PARTS NO.	DESCRIPTION	QTY						I	R
				(A)	(B)	(C)	(D)	(E)	(F)		
1	1	194990-22130	NUT W/WASHER 6		4						
2	1	194990-22140	NUT W/WASHER 8		4						
3	1	194990-22140	NUT W/WASHER 8		1						
4	1	198167-27450	GUIDE,SHIFT LEVER		1						
5	1	1C6650-35150	SCREW M6X16,BLK.M/C		1						
6	1	194300-37570	SPRING, CONICAL		1						
7	1	198165-47710	GUIDE, HYD.LEVER		1						
8	1	198165-47750	KNOB, HYD.CONTROL		1						
9	1	198165-47760	STOPPER,HYD.CONTROL		1						
10	1	194310-61610	GROMMET 9		2						
11	1	198220-62150	WASHER		1						
12	1	1A6640-62180	COVER,FENDER R		1						
13	1	198165-62251	CLAMP, FENDER		2						
14	1	1A6640-62300	FENDER R KIT		1						
15	1	1A6640-62310	FENDER L COMP.		1						
16	1	198165-62410	BAR,ASHIST		2						
17	1	198167-62430	COVER,L		1						
18	1	198165-62440	COVER,R		1						
19	1	198162-62630	FASTENER		6						
20	1	22157-080000	WASHER 8		1						
21	1	22417-200160	COTTER PIN 2.0X16		1						
22	1	26013-120302	BOLT W/WASHER M12X30		4						
23	1	26018-080162	BOLT M 8X 16		4						
24	1	26018-080202	BOLT M 8X 20		1						

77. STEP

(A)=KE-200H (D)=
 (B)= (E)=
 (C)= (F)=

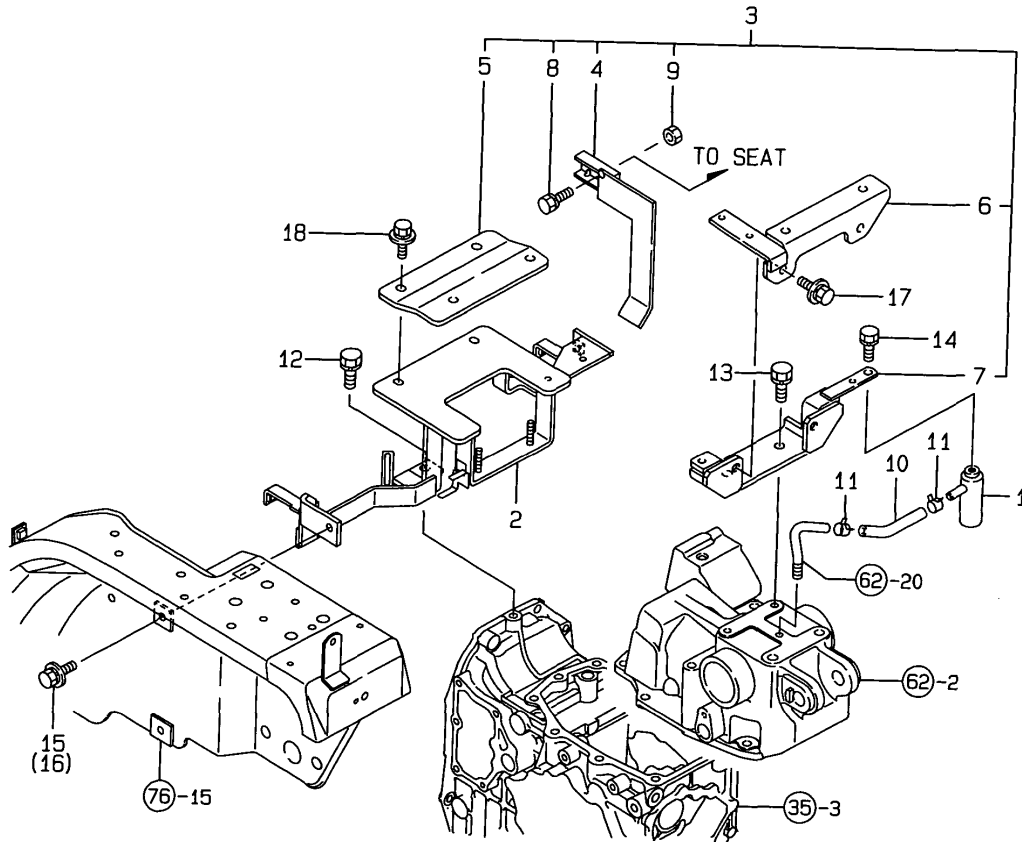


REF.	LEV.	PARTS NO.	DESCRIPTION	QTY						I	R
				(A)	(B)	(C)	(D)	(E)	(F)		
1	1	198421-61620	BOLT 6X20	6							
2	1	198167-61910	SEAL D	1							
3	1	1A6640-62080	COVER F.COMP.,FRONT	1							
4	1	198220-62150	WASHER	6							
5	1	198167-62450	RUBBER	2							
6	1	198240-62451	RUBBER,STEP VIB'PRF.	6							
7	1	198165-62460	GROMMET	1							
8	1	198167-62460	RUBBER	2							Z
(A=F120101)											
9	1	198165-62480	RUBBER L,STEP	1							
10	1	1A6640-62490	RUBBER R,STEP	1							
11	1	1A6640-62500	FRAME L COMP.,STEP	1							
12	1	194330-62530	STOPPER, PEDAL	2							
13	1	198162-62630	FASTENER	11							
14	1	1A6640-62660	STEP L COMP.	1							
15	1	1A6640-62700	FRAME R COMP.,STEP	1							
16	1	198220-62890	STOPPER	8							
17	1	1A6640-62930	STEP R COMP.	1							
18	1	1A6640-62960	GROMMET	4							
19	1	1A6640-62970	COLLAR 8.8X12X10	4							
20	1	1A6640-62980	COVER L,HOOD	1							
21	1	1A6640-62990	COVER R,HOOD	1							
22	1	1A6640-61960	SEAL,FRONT COVER FU	1							
23	1	1A6640-64950	FRONT COVER(MISSION)	1							
24	1	1A6640-64970	GROMMET 60	1							
25	1	22372-080000	SNAP PIN (JASO 8)	6							
26	1	26018-080202	BOLT M 8X 20	4							
27	1	26018-080202	BOLT M 8X 20	4							
28	1	26018-080252	BOLT M8X 25	4							
29	1	1C6900-55010	RUBBER,SENSTVTY.WIRE	1							
30	1	1A6640-61970	SEAL,FRONT COVER FS	2							
31	1	1A6640-64940	GROMMET,SLOT	1							
32	1	1A6640-64980	SEAL,FRONT COVER	1							

N135752

78. OPERATOR SEAT

(A)=KE-200H (D)=
 (B)= (E)=
 (C)= (F)=

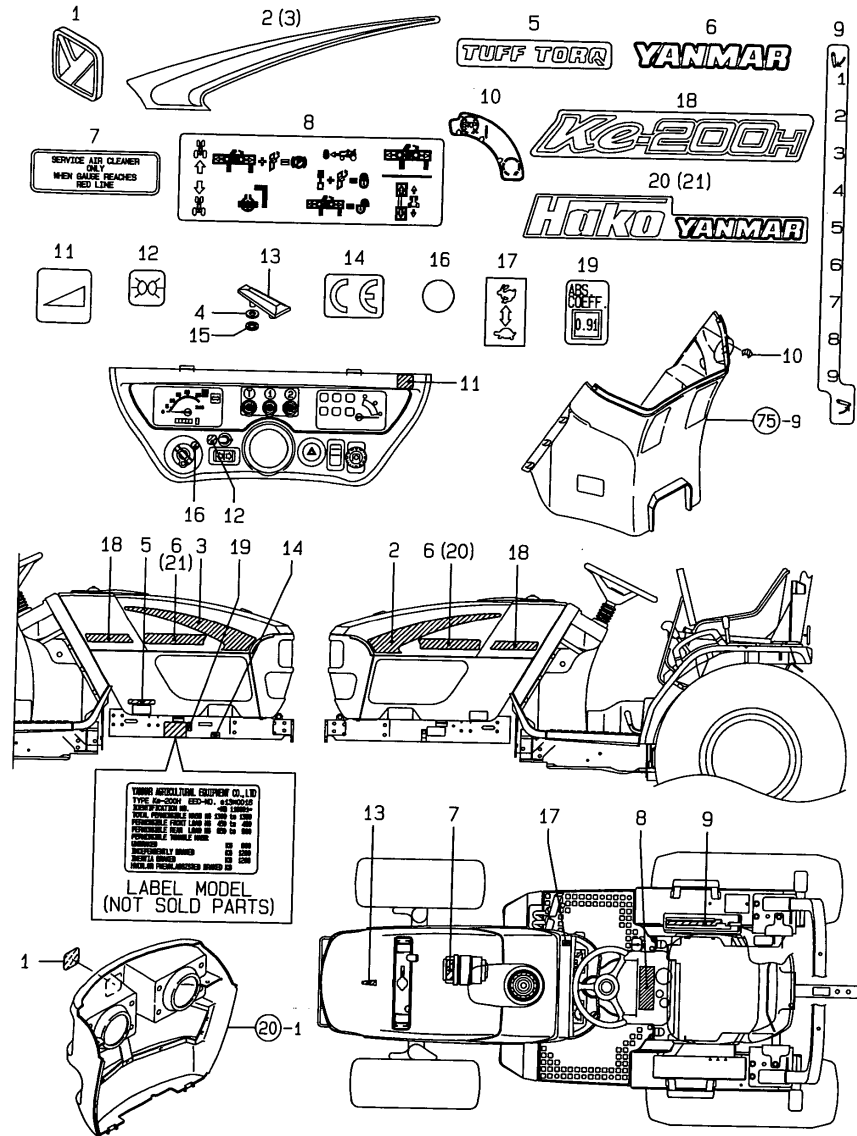


N135753

REF.	LEV.	PARTS NO.	DESCRIPTION	QTY						I	R
				(A)	(B)	(C)	(D)	(E)	(F)		
1	1	194205-63550	BREATHER, AIR	1							
2	1	198165-63900	BRACKET,CMP	1							
3	1	198165-64810	BRACKET,KIT	1							
4	2	198165-52701	ARM	1							
5	2	198165-63981	PLATE	1							
6	2	198165-64701	PLATE,COMP	1							
7	2	198165-64751	BRACKET,COMP	1							
8	2	26013-080202	BOLT W/WASHER M8X20	1							
9	2	26716-080002	NUT M 8	1							
10	1	23065-090140	HOSE 9* 140	1							
11	1	23080-012000	CLAMP 12	2							
12	1	26013-100202	BOLT W/WASHER M10X20	1							
13	1	26013-100202	BOLT W/WASHER M10X20	2							
14	1	26016-080162	BOLT M 8X 16	1							
15	1	26018-080162	BOLT M 8X 16	1							
16	1	26018-080202	BOLT M 8X 20	1							
17	1	26018-080252	BOLT M8X 25	2							
18	1	26018-080252	BOLT M8X 25	2							

79. LABELS

(A)=KE-200H (D)=
 (B)= (E)=
 (C)= (F)=



N135754

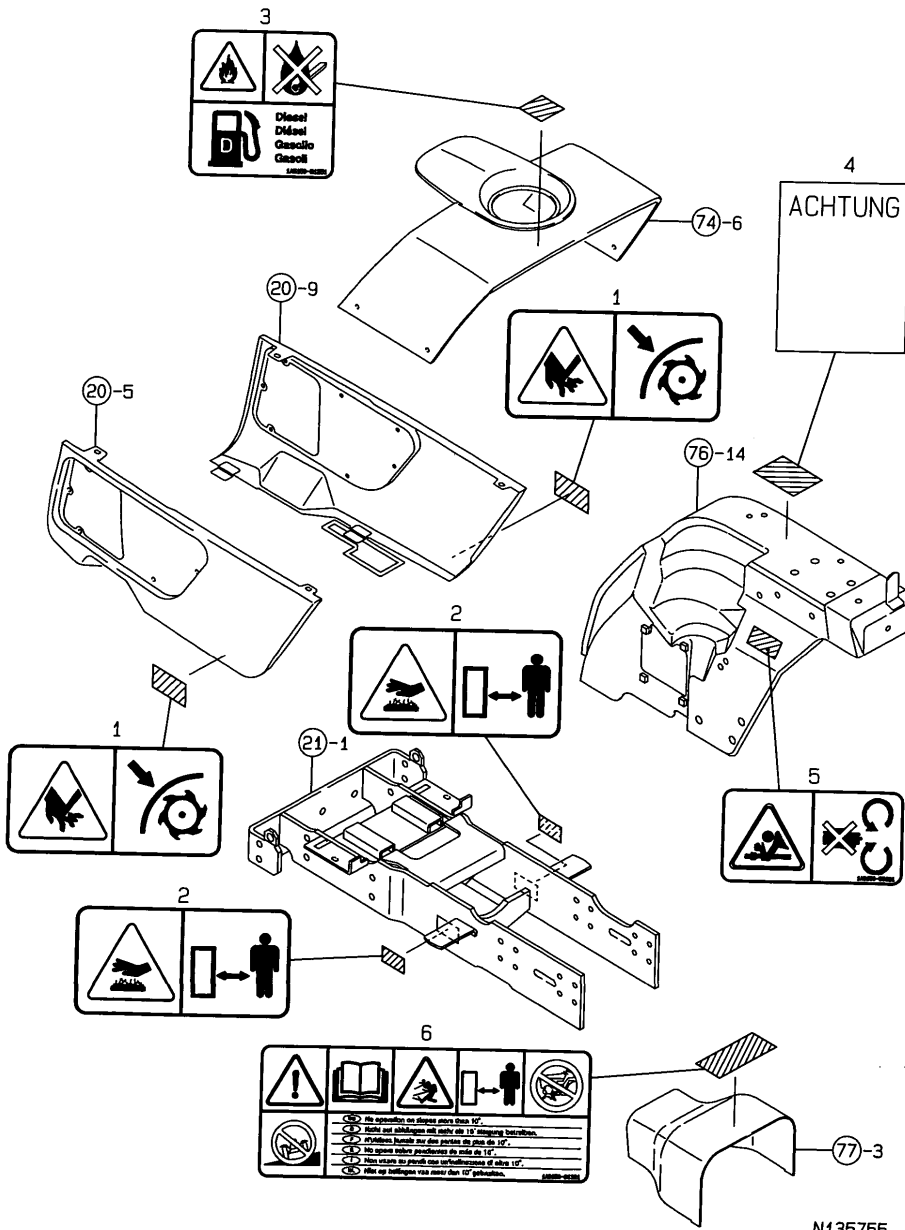
Remarks
 (1)FOR MODEL HAKO CO,L.T.D
 (2)USED NOT FOR HAKO CO,L.T.D

REF.	LEV.	PARTS NO.	DESCRIPTION	QTY						I	R
				(A)	(B)	(C)	(D)	(E)	(F)		
1	1	198421-65030	MARK 50,"YANMAR"	1							
2	1	198162-65110	STRIPE L,SIDE	1							
3	1	198162-65120	STRIPE R,SIDE	1							
4	1	194555-65130	CUSHION		2						
5	1	198421-65160	LABEL "TUFF TORQ"	1							
6	1	194766-65170	MARK(YANMAR 280	2							2
7	1	198165-65170	LABEL,AIR CLEANER	1							
8	1	1A6640-65220	LABEL,OPERATION	1							
9	1	198165-65470	LABEL,HYD.LEVER	1							
10	1	1A6640-65510	LABEL,KEY SWITCH	1							
11	1	1A6640-65530	LABEL,THROTTLE	1							
12	1	198165-65580	DECAL,P,SWITCH	1							
13	1	194940-65590	MARK,TOP	1							
14	1	198165-65590	DECAL,CE	1							
15	1	194200-65610	NUT 5	2							
16	1	1A6640-65660	SEAL	1							
17	1	198165-65690	DECAL,	1							
18	1	1A6640-65610	NAMEPLATE 200H,MODEL	2							
19	1	1A6640-65570	DECAL,SMOKE	1							
20	1	1A6640-65110	NAME LABEL(HAKO L	1							W 1
			(A=F120203)								
21	1	1A6640-65120	NAME LABEL(HAKO R	1							W 1
			(A=F120203)								

80. LABELS(SAFETY)

(A)=KE-200H (D)=
 (B)= (E)=
 (C)= (F)=

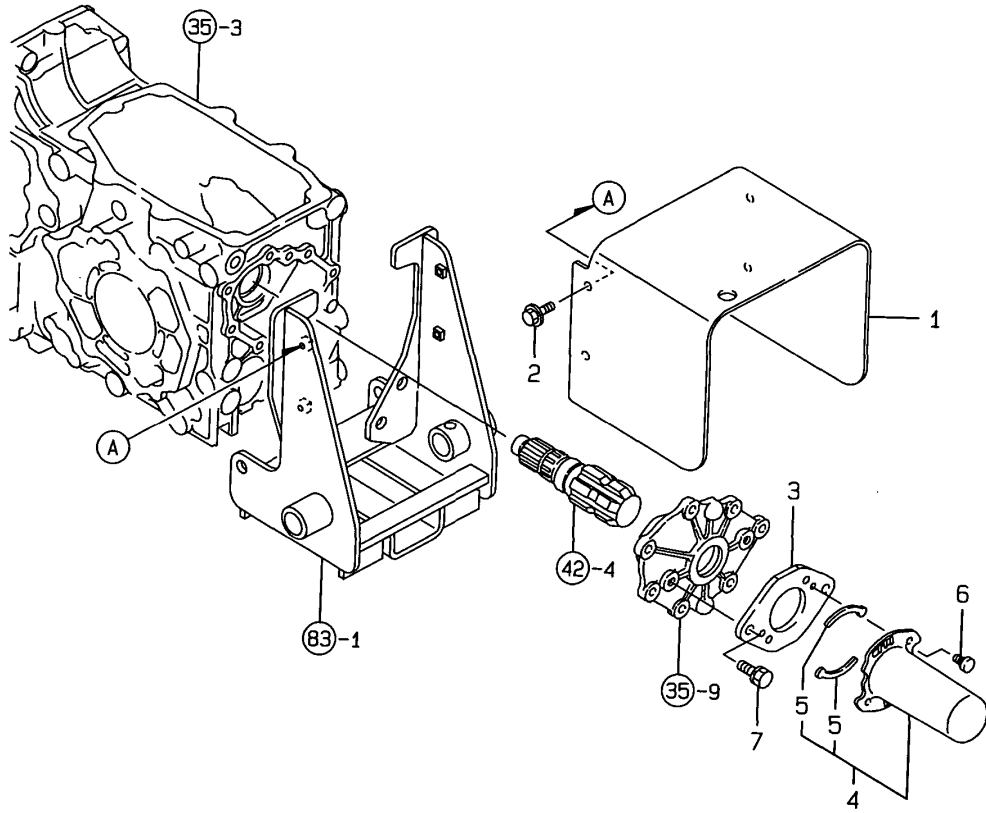
REF.	LEV.	PARTS NO.	DESCRIPTION	QTY						I	R
				(A)	(B)	(C)	(D)	(E)	(F)		
1	1	198163-65940	CAUTION,SAFETY COVER	2							
2	1	198163-65930	CAUTION,MUFFLER	2							
3	1	1A6150-91251	LABEL,RAKE CAUTION	1							
4	1	198223-65630	DECAL,PINCH	1							
5	1	1A6150-93151	LABEL,COVER	1							
6	1	1A6150-91321	LABEL,OPERAT.PROCED.	1							



N135755

81. PTO GUARD & SHAFT COVER

(A)=KE-200H (D)=
 (B)= (E)=
 (C)= (F)=

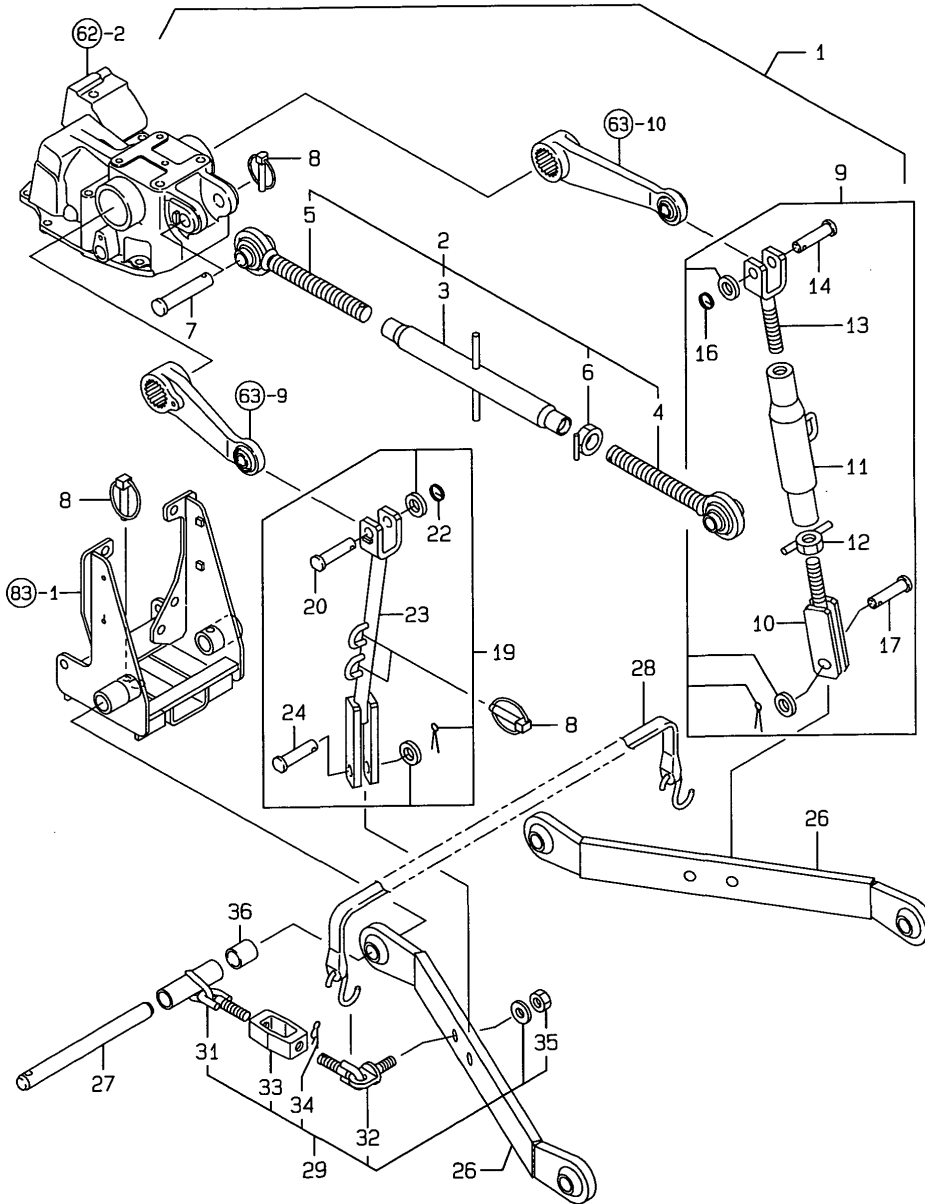


N135756

REF.	LEV.	PARTS NO.	DESCRIPTION	QTY						I	R	
				(A)	(B)	(C)	(D)	(E)	(F)			
1	1	1A6640-75510	COVER,P.T.O.GUARD	1								
2	1	26018-060162	BOLT M6X16	4								
3	1	198165-24660	PLATE	1								
4	1	194850-26850	COVER ASSY, SHAFT	1								
5	2	194850-26870	SPRING, SHIFT COVER	2								
6	1	194250-32530	PIN, COVER HOOK	2								
7	1	26016-080202	BOLT M 8X 20	2								

82. THREE POINTS HITCH

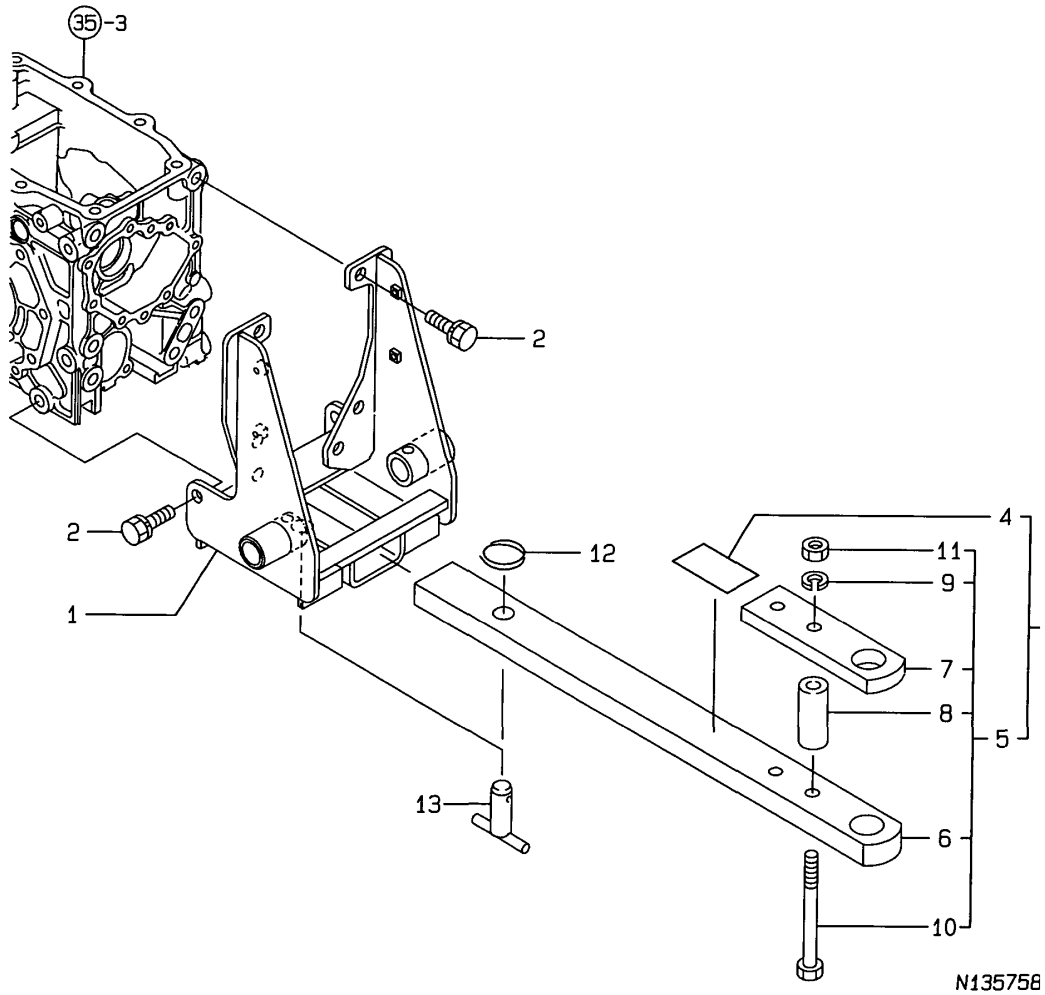
(A)=KE-200H (D)=
 (B)= (E)=
 (C)= (F)=



REF.	LEV.	PARTS NO.	DESCRIPTION	QTY						I	R
				(A)	(B)	(C)	(D)	(E)	(F)		
1	1	198165-71101	THREE POINT KIT,ASSY	1							
2	2	198165-71110	LINK,ASSY UPPER	1							
3	3	198165-71140	TURNBUCKLE	1							
4	3	198165-71180	END R.H.,TOP LINK	1							
5	3	198165-71190	END L.H.,TOP LINK	1							
6	3	198165-71200	NUT, LOCK	1							
7	2	198165-71120	LINK PIN, UPPER	1							
8	2	198165-71130	PIN,CMP LINTCH	5							
9	2	198165-72111	LINK R,ASSY LIFT	1							
10	3	198165-72120	PLATE CMP,LINK	1							
11	3	198165-72130	TURNBUCKLE,CMP	1							
12	3	198165-72140	NUT, LOCK	1							
13	3	198165-72150	JOINT, CMP	1							
14	3	198165-72170	PIN, LIFT	1							
16	3	198165-72190	LINK	1							
17	3	198165-72250	PIN	1							
19	2	198165-72211	LINK L,ASSY LIFT	1							
20	3	198165-72170	PIN, LIFT	1							
22	3	198165-72190	LINK	1							
23	3	198165-72220	PLATE,CMP LINK	1							
24	3	198165-72250	PIN	1							
26	2	198165-73111	LINK,LOWER	2							
27	2	198165-73120	PIN HINGE,LOWER LINK	2							
28	2	198165-73310	STRAPP,LOWER LINK	1							
29	2	198165-74610	CHAIN,ASSY	2							
31	3	198165-74630	COLLAR,CMP	2							
32	3	198165-74640	ANKER,CMP	2							
33	3	198165-74650	TURNBUCKLE	2							
34	3	198165-74660	SNAP RING	2							
35	3	198165-74670	NUT	2							
36	2	198165-74620	COLLAR,HINGE PIN	2							

N135757

83. DRAW BAR HITCH



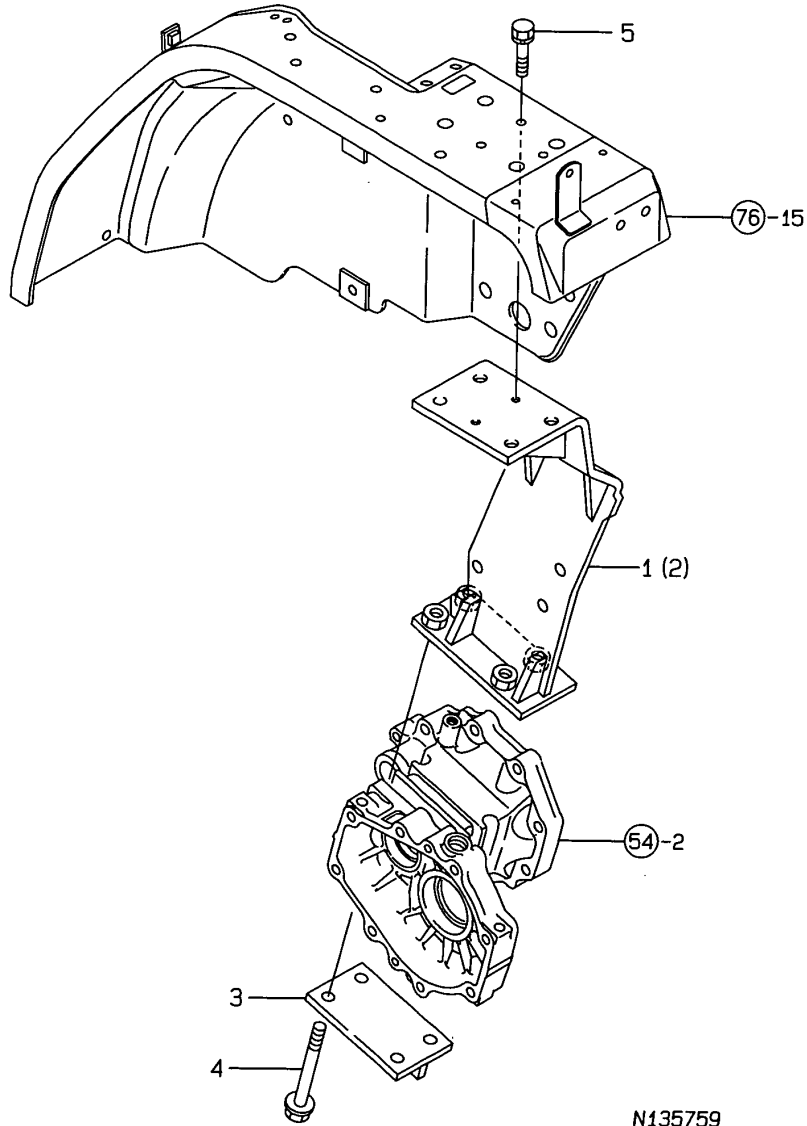
NPC-3932 83. DRAW BAR HITCH

(A)=KE-200H (D)=
 (B)= (E)=
 (C)= (F)=

REF.	LEV.	PARTS NO.	DESCRIPTION	QTY						I	R
				(A)	(B)	(C)	(D)	(E)	(F)		
1	1	198165-75400	HITCH,CMP REAR	1							
2	1	26013-120302	BOLT W/WASHER M12X30	8							
3	1	1A6640-75100	DRAWBAR KIT	1							
3-1	1	198173-75100	DRAWBAR KIT. (49)	1							N
		(A=F110001)									
4	2	1A6640-65410	LABEL,DRAWBAR	1							
4-1	2	198173-65210	LABEL; DRAWBAR	1							N
		(A=F110001)									
5	2	198165-75200	DRAWBAR,COMP	1							
6	3	198165-75210	DRAWBAR	1							
7	3	198165-75250	CLEVIS (49)	1							
8	3	198165-75260	SPACER,CLEVIS (49)	2							
9	3	22217-120000	SPRING WASHER	2							
10	3	26116-121302	BOLT M12X130 PLATED	2							
11	3	26716-120002	NUT 12	2							
12	1	194145-75250	RING	1							
13	1	198165-75720	PIN,DRAW-BAR	1							

(A)=KE-200H (D)=
 (B)= (E)=
 (C)= (F)=

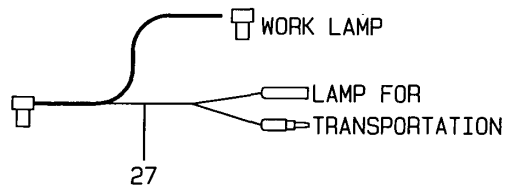
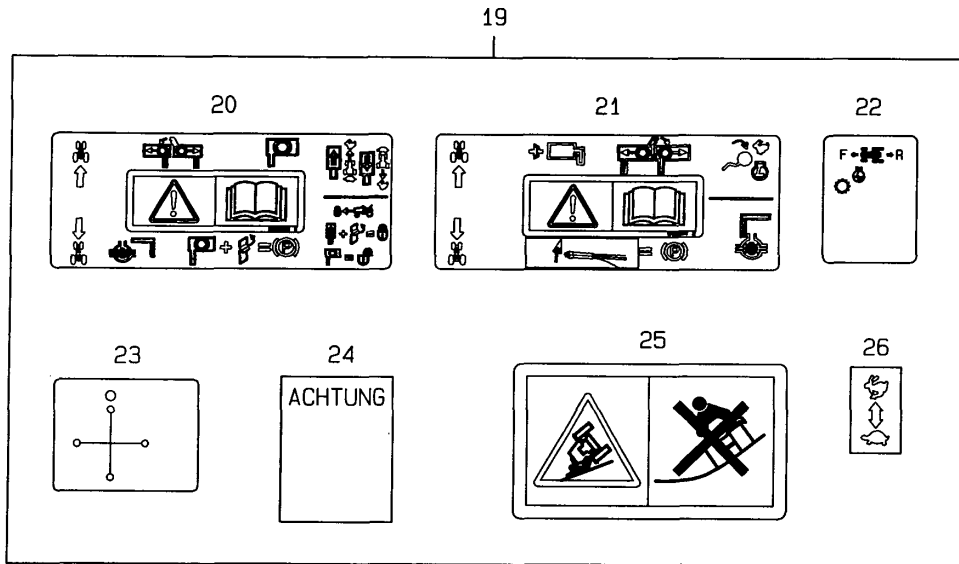
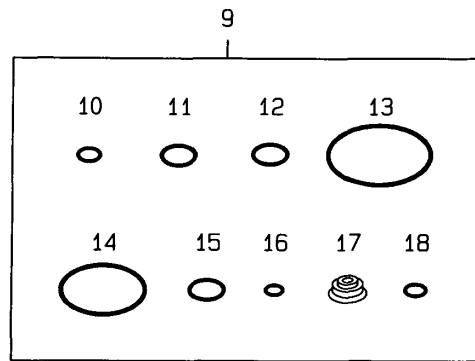
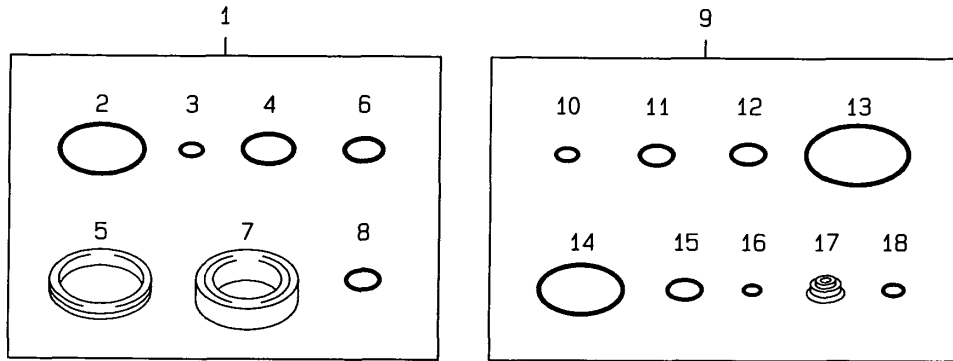
REF.	LEV.	PARTS NO.	DESCRIPTION	QTY						I	R
				(A)	(B)	(C)	(D)	(E)	(F)		
1	1	1A6640-85200	FRAME L, LOWER	1							
2	1	1A6640-85250	FRAME R, LOWER	1							
3	1	198165-85300	PLATE,CMP LOWER	2							
4	1	198165-85950	BOLT M12X130 PLATED	8							
5	1	26016-080252	BOLT M 8X 25	4							



N135759

(A)=KE-200H (D)=
 (B)= (E)=
 (C)= (F)=

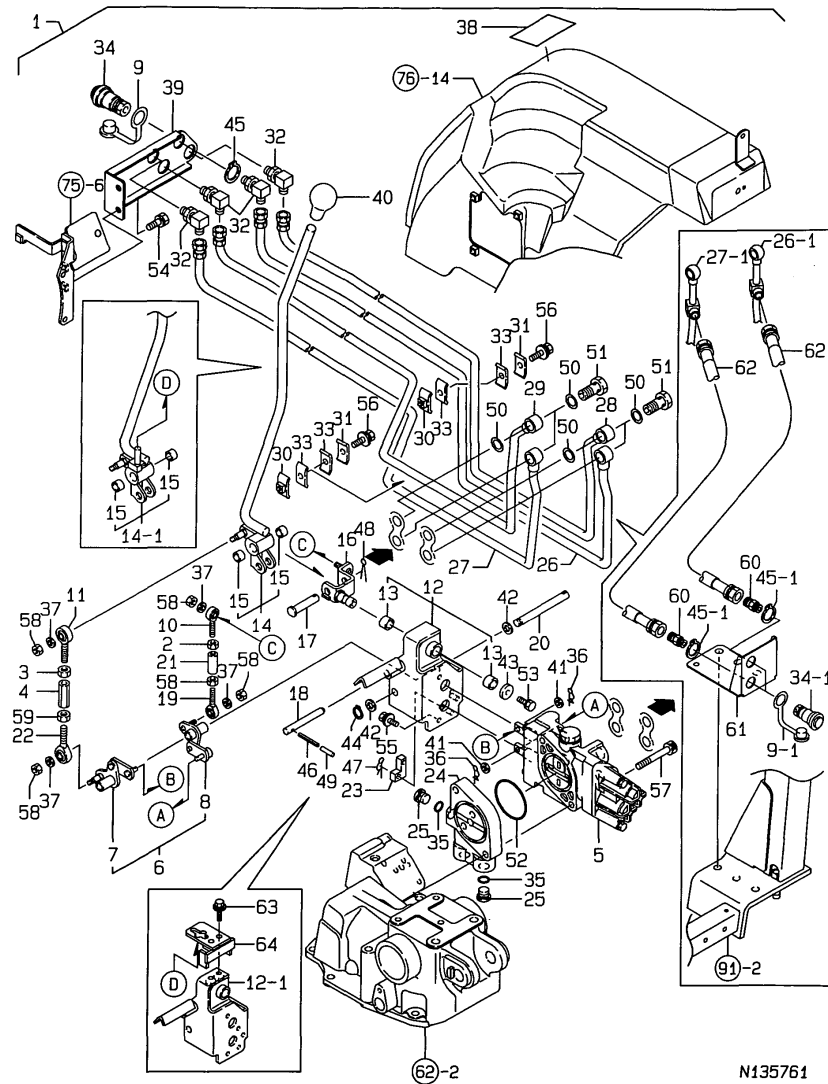
85. OPTION



N135760

REF.	LEV.	PARTS NO.	DESCRIPTION	QTY						I	R
				(A)	(B)	(C)	(D)	(E)	(F)		
1	1	198165-42450	SEAL SET	1							Z
		(A=F120101)									
2	2	198165-42390	O-RING 50	1							Z
		(A=F120101)									
3	2	198165-42420	O-RING 9	2							Z
		(A=F120101)									
4	2	198165-44160	O-RING	1							Z
		(A=F120101)									
5	2	198165-44220	RING,BACK-UP	1							Z
		(A=F120101)									
6	2	198165-44270	O-RING 17	1							Z
		(A=F120101)									
7	2	198165-44450	SEAL,354507 OIL	2							Z
		(A=F120101)									
8	2	198165-47250	O-RING	1							Z
		(A=F120101)									
9	1	198165-45950	SEAL SET	1							Z
		(A=F120101)									
10	2	198165-45220	O-RING 11.11	1							Z
		(A=F120101)									
11	2	198165-45240	O-RING 14	1							Z
		(A=F120101)									
12	2	198165-45250	O-RING 12.42	3							Z
		(A=F120101)									
13	2	198165-45320	O-RING 58.75	1							Z
		(A=F120101)									
14	2	198165-45330	O-RING 48.89	2							Z
		(A=F120101)									
15	2	198165-45410	O-RING 12.37	2							Z
		(A=F120101)									
16	2	198165-45420	O-RING 3.68	1							Z
		(A=F120101)									
17	2	198165-45520	COVER,RUBBER	1							Z
		(A=F120101)									
18	2	198165-45640	O-RING 8.73	1							Z
		(A=F120101)									
19	1	198165-65150	DECAL KIT	1							
20	2	198165-65220	LABEL,CONTROL G HM	1							
21	2	198167-65240	DECAL,OPERATION	1							
22	2	198165-65280	LABEL,SPPED	1							
23	2	198220-65410	LABEL, SCV LEVER	1							
24	2	198223-65630	DECAL,PINCH	1							
25	2	198165-65640	DECAL,WARNING	1							
26	2	198165-65690	DECAL,	1							

86. SUB CONTROL LEVER



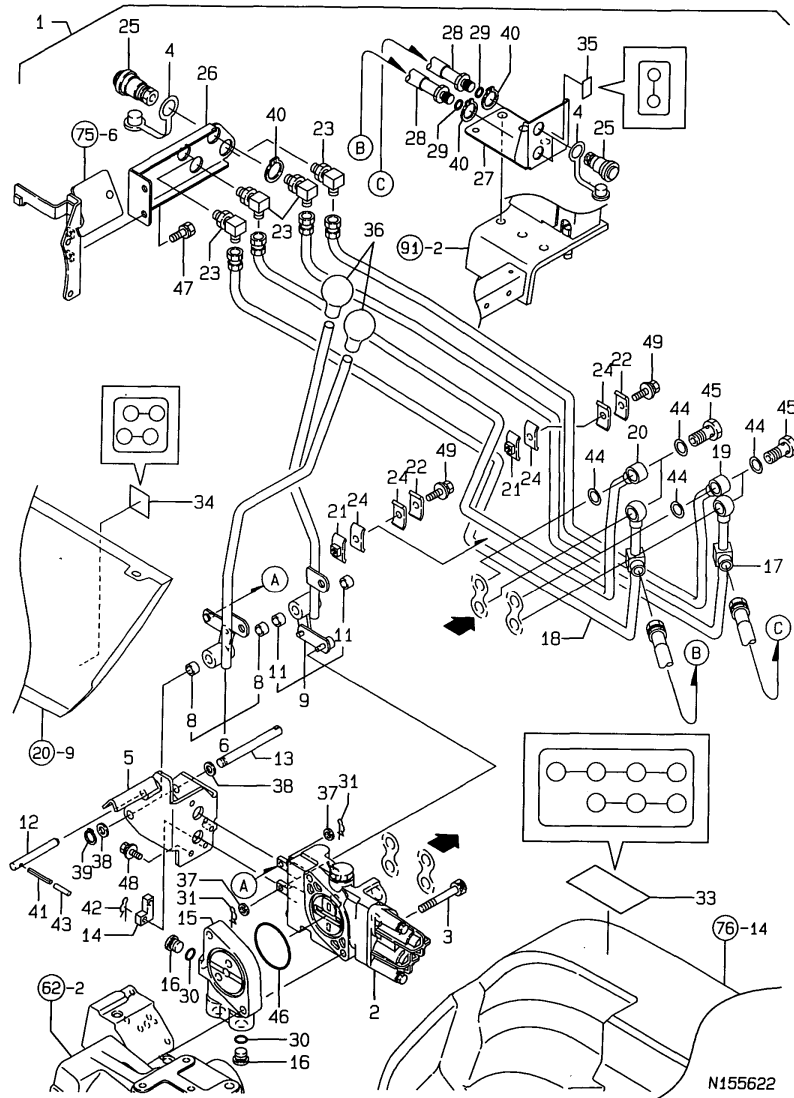
Remarks
 * FIGURE FOR OLD TYPE
 NEW TYPE(2001 MODEL FOR MACHINE
 NO.F130301)REFER TO FIGURE NO.87
 (1)NOT ILUSTRATED INNER PARTS
 REFER TO FIGURE NO.88

NPC-3932 86. SUB CONTROL LEVER

(A)=KE-200H (D)=
 (B)= (E)=
 (C)= (F)=

REF.	LEV.	PARTS NO.	DESCRIPTION	QTY						I	R
				(A)	(B)	(C)	(D)	(E)	(F)		
43	2	22157-060000	WASHER 6	1							
44	2	22242-000100	CIRCLIP 10	1							
45	2	22242-000220	CIRCLIP 22	4							
45-1	2	22242-000220	CIRCLIP 22	6							K
		(A=F120101)									
46	2	22351-040040	SPRING PIN 4X40	1							
47	2	22372-060000	SNAP PIN 6	1							
48	2	22417-200160	COTTER PIN 2.0X16	1							
49	2	23062-040020	HOSE 4* 20	1							
50	2	23414-160021	GASKET 16	8							
51	2	23857-100000	JOINT BOLT 10	4							
52	2	24321-000550	O-RING 1A G-55.0	1							
53	2	26013-060162	BOLT M 6X 16	1							
54	2	26013-080162	BOLT W/WASHER M8X16	2							
55	2	26018-060162	BOLT M6X16	3							
56	2	26018-080352	BOLT M8X35	2							
57	2	26450-080652	BOLT M 8X 65	2							
58	2	26716-060002	NUT 6	5							
59	2	26716-080002	NUT M 8	1							
60	2	1A6640-48860	ADAPTER,3/8-9/16	2							W
		(A=F120101)									
61	2	1A6640-48870	BRACKET,HYD REAR	1							W
		(A=F120101)									
62	2	198165-48880	HOSE	2							W
		(A=F120101)									
63	2	26018-060252	BOLT M 6X 25	2							W
		(A=F120101)									
64	2	1A6640-46700	GUIDE ASSY,SCV	1							W
		(A=F120101)									

87. SUB CONTROL LEVER



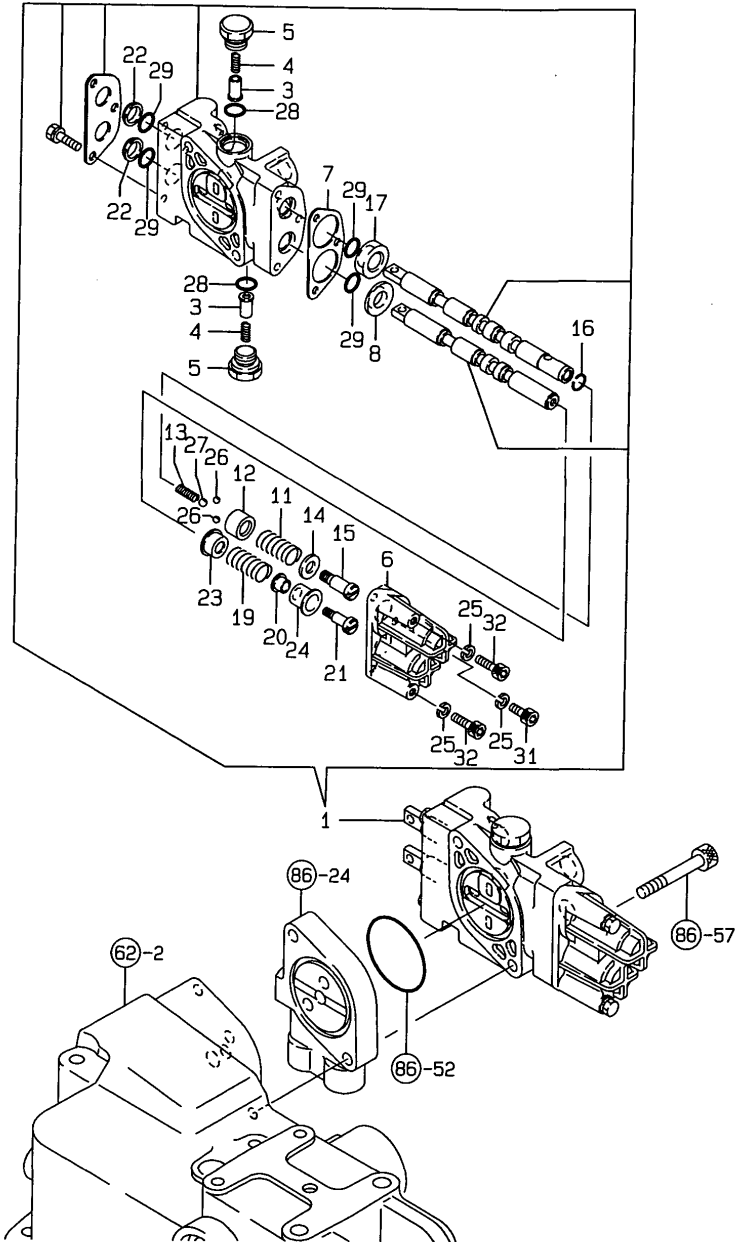
Remarks
 * FIGURE FOR NEW TYPE(2001 MODEL FOR MACHINE NO.F130301)
 OLD TYPE REFER TO FIGURE NO.86
 (1) NOT ILUSTRATED INNER PARTS REFER TO FIGURE NO.88

(A)=KE-200H (D)=
 (B)= (E)=
 (C)= (F)=

REF.	LEV.	PARTS NO.	DESCRIPTION	QTY -----						I	R
				(A)	(B)	(C)	(D)	(E)	(F)		
1	1	1A6641-46000	SCV KIT	1							
2	2	198165-46110	S.C.V, CMP	1							1
3	2	26450-080652	BOLT M 8X 65	2							
3-1	2	1A6780-46260	BOLT 8X65	2							N
	(A=F130456)										
4	2	198223-46280	DUST PLUG	6							
5	2	1A6641-46500	HOLDER ASSY, LEVER	1							
6	2	1A6641-46590	LEVER ASSY, SCV L	1							
8	3	24550-010100	BUSH 10X10, DRY	2							
9	2	1A6641-46690	LEVER ASSY, SCV B	1							
11	3	24550-010100	BUSH 10X10, DRY	2							
12	2	1A6641-46840	PIN, LOCK	1							
13	2	198165-46910	SHAFT, LINK CAM	1							
14	2	198165-46991	LINK, C	1							
15	2	198165-48550	PLATE, AUX	1							
16	2	198165-48560	PLUG, 9/16	3							
17	2	1A6640-48610	PIPE, SCV 1	1							
18	2	1A6640-48620	PIPE, SCV 2	1							
19	2	198165-48631	PIPE, SCV 3	1							
20	2	198165-48641	PIPE, SCV 4	1							
21	2	198165-48650	CLAMP A, SCV PIPE	2							
22	2	198165-48660	CLAMP B, SCV PIPE	2							
23	2	198165-48670	ELUBO, 1/4X9/16	4							
24	2	198165-48680	PAD, CLAMP RUBBER	4							
25	2	198165-48710	CAPULER, SVC QUICK	6							
26	2	198165-48750	MAUNT, CAPULER	1							
27	2	1A6640-48870	BRACKET, HYD REAR	1							
28	2	1A6641-48880	HOSE, HYDRAULIC REAR	2							
29	2	1A6641-48890	O-RING	2							
30	2	194850-49290	PACKING 6-1	3							
31	2	1C6281-52310	PIN 6, COME-OFF SNAP	2							
33	2	1A6641-65450	LABEL, SCV LEVER	1							
34	2	1A6641-65460	LABEL, SCV COUPLER	1							
35	2	1A6641-65470	LABEL, SCV REAR	1							
36	2	194990-85561	KNOB	2							
37	2	22137-060000	WASHER 6, POLISHED	2							
38	2	22137-100000	WASHER 10, POLISHED	2							
39	2	22242-000100	CIRCLIP 10	1							
40	2	22242-000220	CIRCLIP 22	6							
41	2	22351-040040	SPRING PIN 4X40	1							
42	2	22372-060000	SNAP PIN 6	1							
43	2	23062-040020	HOSE 4* 20	1							
44	2	23414-160021	GASKET 16	8							
45	2	23857-100000	JOINT BOLT 10	4							
46	2	24321-000550	O-RING 1A G-55.0	1							
47	2	26013-080162	BOLT W/WASHER M8X16	2							
48	2	26018-060162	BOLT M6X16	3							
49	2	26018-080352	BOLT M8X35	2							

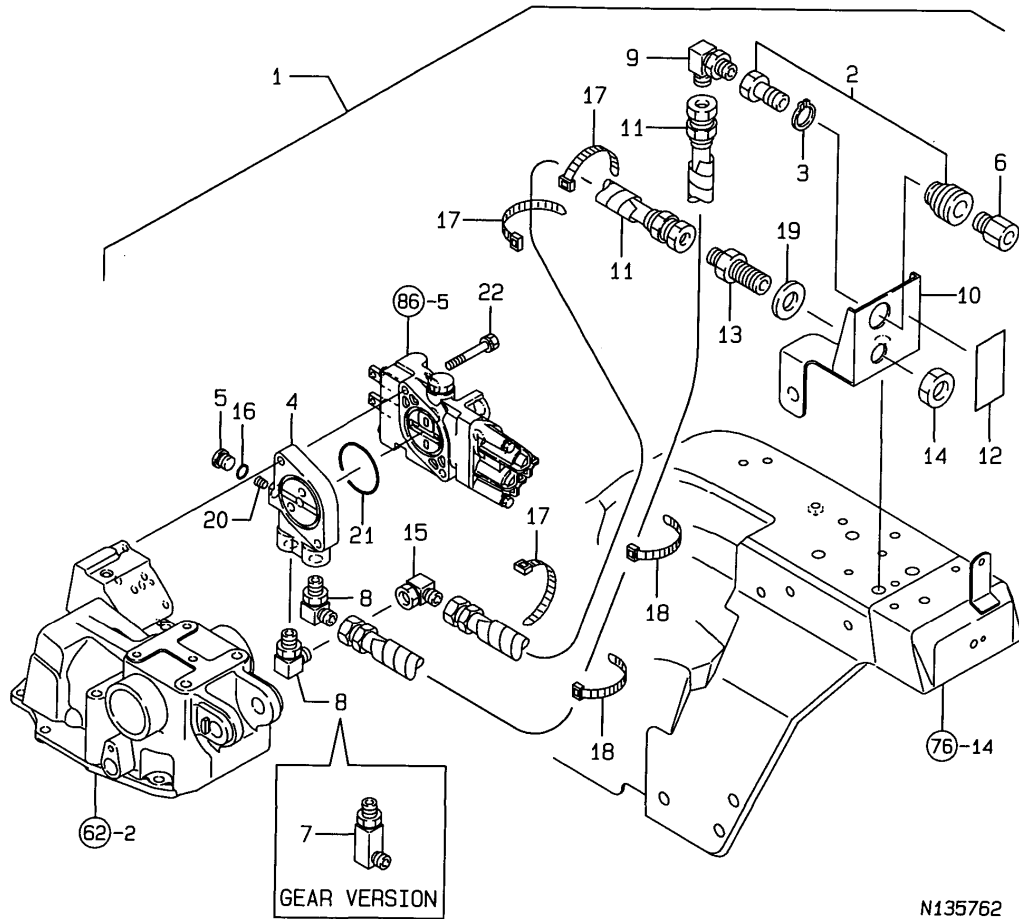
88. SUB CONTROL VALVE

(A)=KE-200H (D)=
(B)= (E)=
(C)= (F)=



REF.	LEV.	PARTS NO.	DESCRIPTION	QTY -----						I R
				(A)	(B)	(C)	(D)	(E)	(F)	
1	1	198165-46110	S.C.V, CMP	1						
3	2	198165-46130	VALVE	2						
4	2	198165-46140	SPRING	2						
5	2	198165-46150	PLUG	2						
6	2	198165-46200	COVER	1						
7	2	198165-46210	GASKET	1						
8	2	198165-46220	JOINT	1						
11	2	198165-46310	SPRING	1						
12	2	198165-46320	HOLDER	1						
13	2	198165-46330	SPRING	1						
14	2	198165-46340	HOLDER	1						
15	2	198165-46350	BOLT	1						
16	2	198165-46360	RINK	1						
17	2	198165-46370	DETENT	1						
19	2	198165-46410	SPRING	1						
20	2	198165-46420	STOP	1						
21	2	198165-46450	BOLT	1						
22	2	172510-74410	SEAL, DUST	2						
23	2	172510-74440	RETAINER(A),SPRING	1						
24	2	172510-74450	RETAINER (B)	1						
25	2	22287-060000	WASHER 6	3						
26	2	24190-070001	BALL 7/32	2						
27	2	24190-080001	BALL 1/4, STEEL	1						
28	2	24311-000140	O-RING 1A P-14.0	2						
29	2	24311-000140	O-RING 1A P-14.0	4						
31	2	26450-060252	BOLT M 6X 25	1						
32	2	26450-060552	BOLT M 6X 55	2						

89. REAR HYDRAULIC



NPC-3932 89. REAR HYDRAULIC

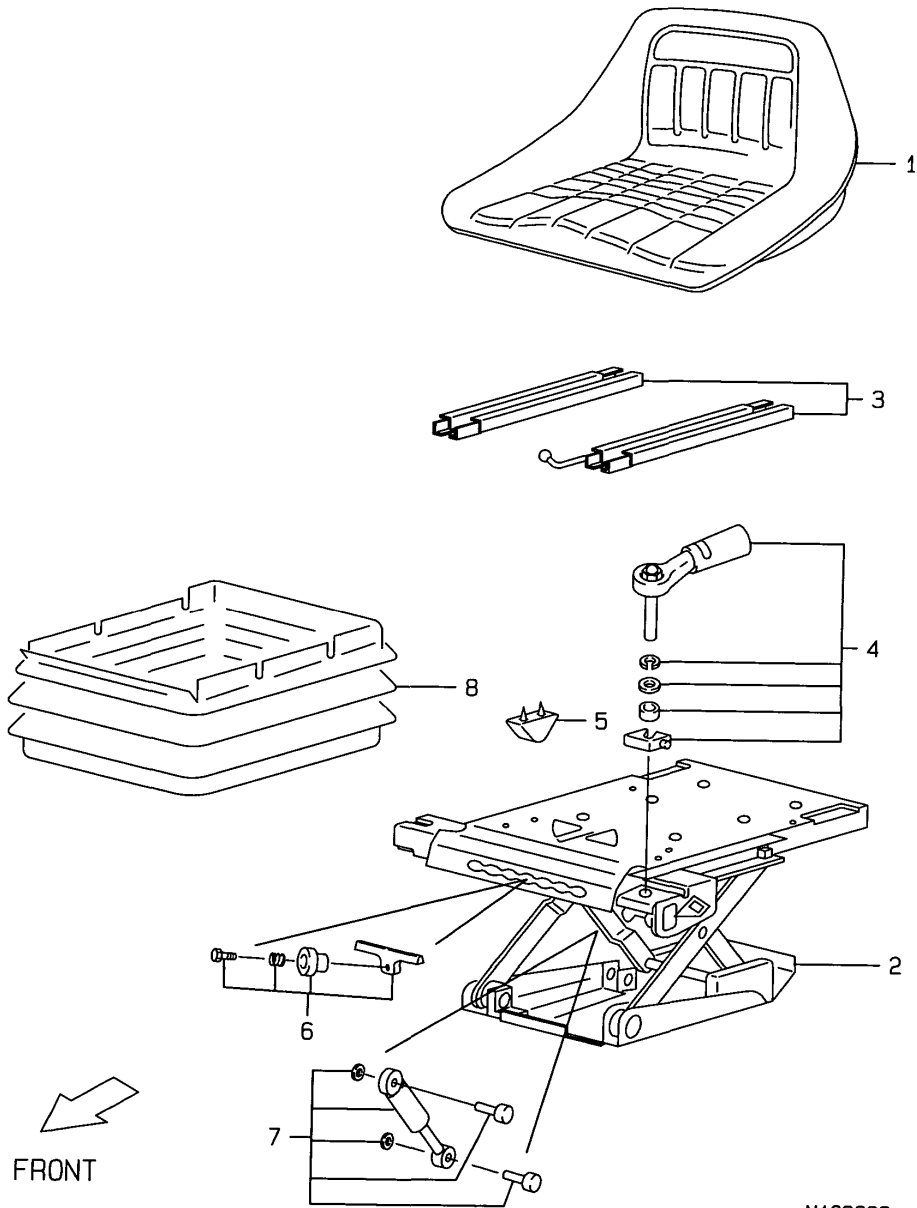
(A)=KE-200H (D)=
 (B)= (E)=
 (C)= (F)=

REF.	LEV.	PARTS NO.	DESCRIPTION	QTY						I	R
				(A)	(B)	(C)	(D)	(E)	(F)		
1	1	198165-48800 (A=F120101)	R.AUX HYDRO KIT	1							Z
2	2	198240-46250 (A=F120101)	HYD. QUICK COUPLER	1							Z
3	2	198240-46260 (A=F120101)	SNAP RING	1							Z
4	2	198165-48550 (A=F120101)	PLATE, AUX	1							Z
5	2	198165-48560 (A=F120101)	PLUG, 9/16	1							Z
6	2	198165-48820 (A=F120101)	HYD.QUICK COUPLER	1							Z
7	2	198165-48830 (A=F120101)	CONNECTOR	1							Z
8	2	198165-48840 (A=F120101)	CONNECTOR	2							Z
9	2	198165-48850 (A=F120101)	CONNECTOR	1							Z
10	2	198165-48870 (A=F120101)	BRACKET	1							Z
11	2	198165-48880 (A=F120101)	HOSE	2							Z
12	2	198165-48890 (A=F120101)	DECAL,R.AUX	1							Z
13	2	198165-48910 (A=F120101)	CONNECTOR	1							Z
14	2	198165-48920 (A=F120101)	NUT 13/16	1							Z
15	2	198165-48940 (A=F120101)	CONNECTOR	1							Z
16	2	194850-49290 (A=F120101)	PACKING 6-1	1							Z
17	2	194250-51660 (A=F120101)	BAND 250	3							Z
18	2	1E6102-84970 (A=F120101)	BAND 140,WIRE LOCK	2							Z
19	2	22137-200000 (A=F120101)	WASHER 20,POLISHED	1							Z
20	2	23871-010000 (A=F120101)	PLUG PT1/8,SCREW	1							Z
21	2	24321-000550 (A=F120101)	O-RING 1A G-55.0	1							Z
22	2	26013-080502 (A=F120101)	BOLT M 8X 50	2							Z

90. OPERATOR SEAT

(A)=KE-200H (D)=
 (B)= (E)=
 (C)= (F)=

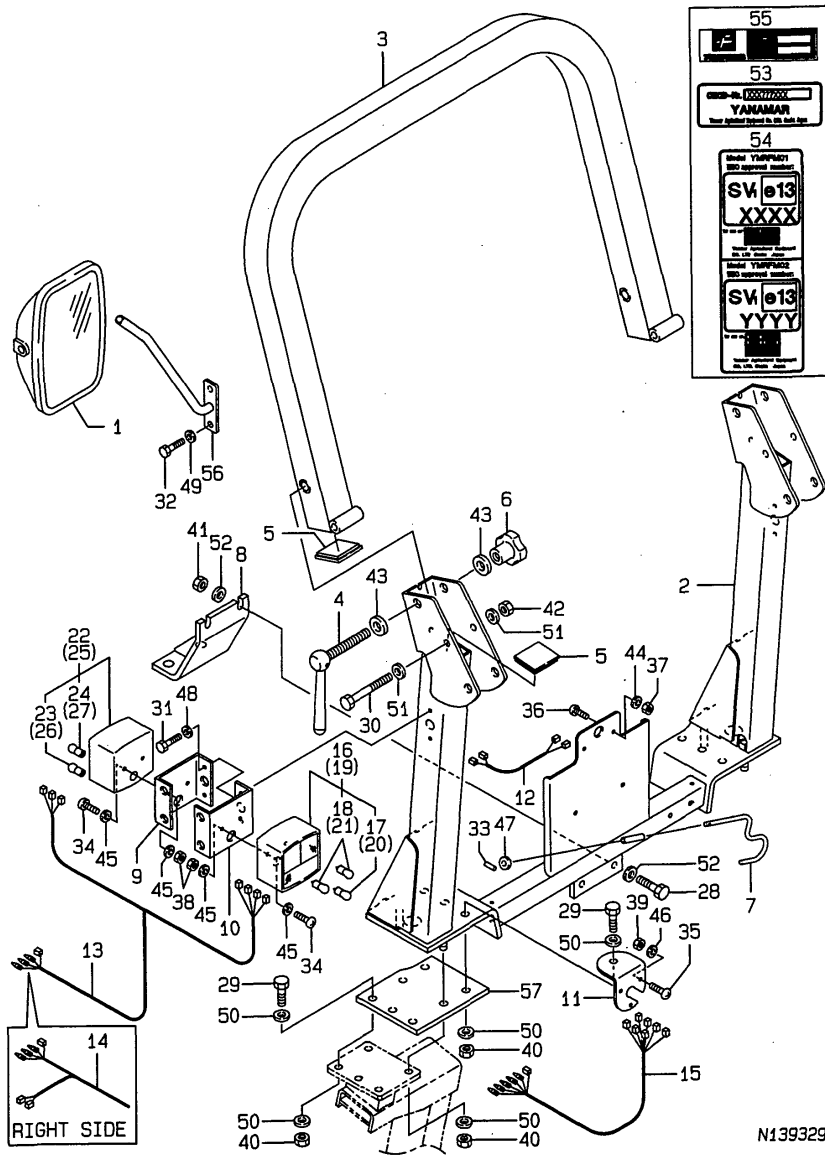
REF.	LEV.	PARTS NO.	DESCRIPTION	QTY						I	R
				(A)	(B)	(C)	(D)	(E)	(F)		
1	1	198174-63100	SEAT	1							
2	1	198174-63200	SUSPENDER CMP	1							
3	1	198174-63210	AJUSTER ;1	1							
4	1	198174-63220	AJUSTER ;2	1							
5	1	198174-63230	STOPPER	1							
6	1	198174-63240	AJUSTER ;3	1							
7	1	198174-63250	DANPER	1							
8	1	198174-63260	COVER ;SUSPENTION	1							



N139328

91. SAFETY FRAME

(A)=KE-200H (D)=
 (B)= (E)=
 (C)= (F)=



N139329

Remarks
 (1)FOR LEFT SIDE LAMPS
 (2)FOR RIGHT SIDE LAMPS

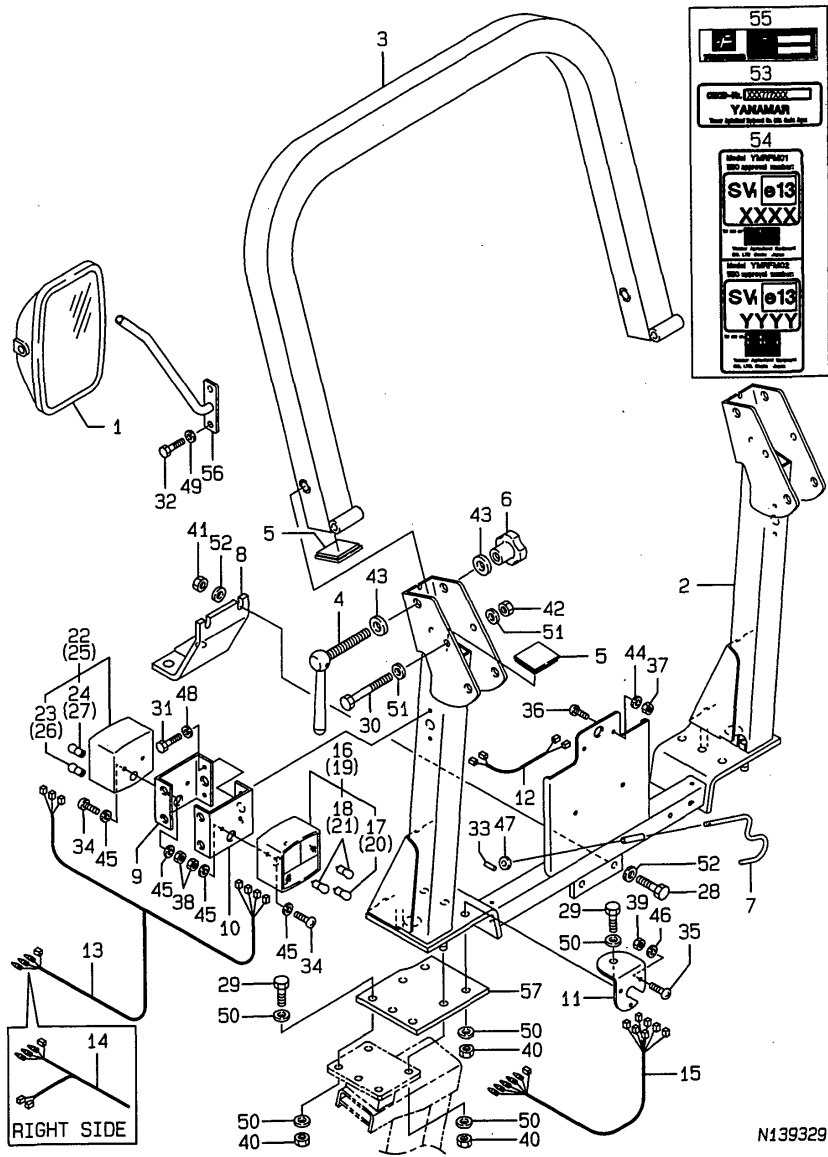
REF.	LEV.	PARTS NO.	DESCRIPTION	QTY						I	R
				(A)	(B)	(C)	(D)	(E)	(F)		
1	1	198174-64100	BACK MILLOR	1							
2	1	198174-85110	UPPER FRAME ; UNDER	1							
3	1	198174-85120	UPPER FRAME ; UPPER	1							
4	1	198174-85130	GRIP HANDOLL	2							
5	1	198174-85150	GROMEET 60X 60	4							
6	1	198174-85170	KNOB KU-80	2							
7	1	198174-85210	HOOK	1							
8	1	198174-85220	HOLDER	1							
9	1	198174-85270	LAMP PLATE ; LEFT	2							
10	1	198174-85280	LAMP PLATE ; RIGHT	2							
11	1	198174-85290	LAMP PLATE	1							
12	1	198174-85510	WIRE HARNESS ;1	1							
13	1	198174-85520	WIRE HARNESS ;2	1							
14	1	198174-85530	WIRE HARNESS ;3	1							
15	1	198174-85550	WIRE HARNESS ;4	1							
16	1	198174-85610	LAMP (A) ;LEFT	1							1
17	2	198174-85660	LAMP 10W-12V	1							1
18	2	198174-85670	LAMP 21W-12V	2							1
19	1	198174-85620	LAMP (A) ;RIGHT	1							2
20	2	198174-85660	LAMP 10W-12V	1							2
21	2	198174-85670	LAMP 21W-12V	2							2
22	1	198174-85630	LAMP (B) ;LEFT	1							1
23	2	198174-85660	LAMP 10W-12V	1							1
24	2	198174-85670	LAMP 21W-12V	1							1
25	1	198174-85640	LAMP (B) ;RIGHT	1							2
26	2	198174-85660	LAMP 10W-12V	1							2
27	2	198174-85670	LAMP 21W-12V	1							2
28	1	198174-85710	BOLT 12X 35	2							
29	1	198174-85720	BOLT 12X 40	10							
30	1	198174-85730	BOLT 12X100	2							
31	1	198174-85740	BOLT 6X 25	4							
32	1	198174-85740	BOLT 6X 25	2							
33	1	198174-85760	PIN 3X 12	1							
34	1	198174-85770	SCREW 5X 20	8							
35	1	198174-85780	SCREW 5X 35	3							
36	1	198174-85790	SCREW 4X 16	2							
37	1	198174-85810	NUT 4	2							
38	1	198174-85820	NUT 5	8							
39	1	198174-85820	NUT 5	3							
40	1	198174-85830	NUT 12	14							
41	1	198174-85830	NUT 12	2							
42	1	198174-85840	NUT 12	2							
43	1	198174-85850	WASHER 16	4							
44	1	198174-85860	WASHER 4	2							
45	1	198174-85870	WASHER 5	16							
46	1	198174-85870	WASHER 5	3							
47	1	198174-85880	WASHER 6	1							
48	1	198174-85880	WASHER 6	4							
49	1	198174-85880	WASHER 6	2							
50	1	198174-85890	WASHER 12	20							
51	1	198174-85890	WASHER 12	4							
52	1	198174-85890	WASHER 12	4							
53	1	198174-85910	LABEL ;OECD	1							
54	1	198174-85920	LABEL ;EEC	1							

++ CONTINUE ++

91. SAFETY FRAME

(A)=KE-200H (D)=
 (B)= (E)=
 (C)= (F)=

REF.	LEV.	PARTS NO.	DESCRIPTION	QTY						I	R
				(A)	(B)	(C)	(D)	(E)	(F)		
55	1	198174-85930	LABEL ;SERIAL	1							
56	1	198174-64130	STAY ;BACK MILLOR	1							
57	1	198174-85250	PLATE	2							



Remarks
 (1)FOR LEFT SIDE LAMPS
 (2)FOR RIGHT SIDE LAMPS